

J600

English version

EDITION - 04/2016

CODE - 0

Parts catalog



M QUINAS AGR COLAS JACTO S.A.

Rua Dr. Luiz Miranda, 1650

17580-000 - Pompia - SP - Brasil

Tel.: +55 14 3405-2100 - Fax: +55 14 3452 1306

[E-mail: export@jacto.com.br](mailto:export@jacto.com.br)

Home page: <http://www.jacto.com.br>

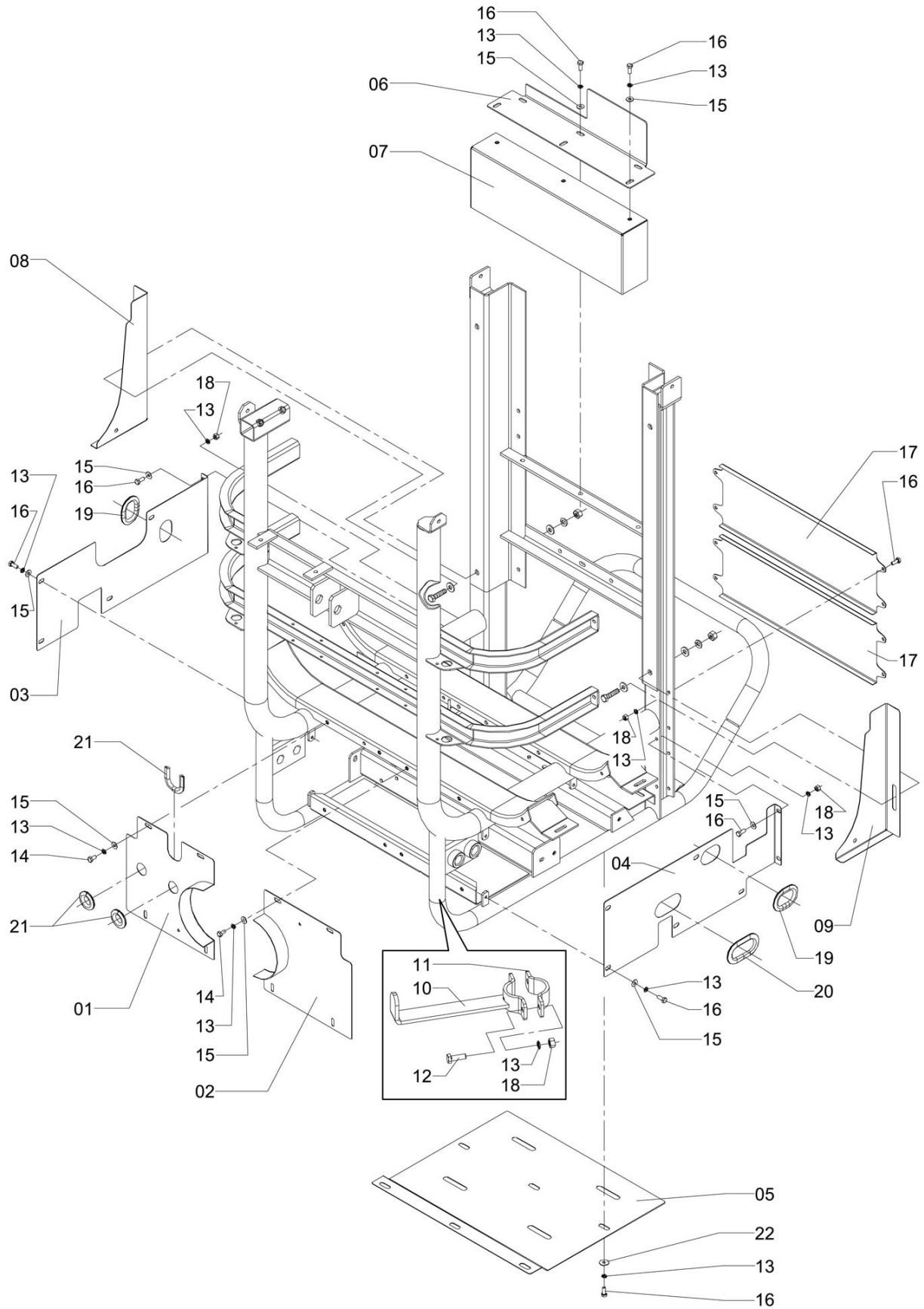
J-600

| EQUIPMENT | PAGE |
|-----------|------|
| J600..... | 4 |

J600
(Edition: 2016/04)

| ENTIRE ASSEMBLIES | PAGE |
|---|------|
| ACCESSORIES BOX | |
| ACCESSORIES BOX (JS-600 EL) | 95 |
| ACCESSORIES BOX | 99 |
| ASSEMBLY - COMBINATION WRENCH + SCREW WRENCH (FOR EXPORT) | 96 |
| FILLING HOSE | 98 |
| FILTERING VALVE ASSEMBLY | 97 |
| JEC-2500 COMPUTER | 40 |
| CHASSIS AND COMPLEMENTS | |
| CHASSIS AND COMPLEMENTS | 10 |
| CHASSIS AND COMPLEMENTS (ELECTRIC CONTROL) | 8 |
| PROTECTION ASSEMBLY | 6 |
| CHEMICAL CIRCUIT AND COMPLEMENTS | |
| 100-LITER SUCTION FILTER WITH VALVE | 71 |
| 15-LITER TANK ASSEMBLY | 57 |
| 3-WAY REGULATING VALVE | 67 |
| ASSEMBLY: 15-LITER TANK AND SUPPORT | 58 |
| CENTRIFUGAL PUMP BC-1143 (DUAL STAGE - SERIES 4) | 68 |
| CENTRIFUGAL PUMP WITH 3-WAY VALVE | 69 |
| CHEMICAL CIRCUIT | 28 |
| CHEMICAL CIRCUIT - ELECTRIC | 34 |
| CHEMICAL CONTAINER RINSE NOZZLE | 74 |
| CHEMICAL CONTAINER RINSE NOZZLE NO.4 | 75 |
| CHEMICAL CONTAINER RINSE NOZZLE ROD | 73 |
| CONTACT DISC | 76 |
| CONTROL BRANCH - ASSEMBLY | 82 |
| COVER ASSEMBLY - QUICK RELIEF MOTOR | 80 |
| DIRECTIONAL VALVE | 72 |
| ELECTRIC CONTROL AND COMPLEMENTS | 85 |
| ELECTRIC CONTROL VALVE | 83 |
| ELECTRICAL CONTROL - MASTERFLOW | 32 |
| FLOW RATE REGULATING VALVE | 59 |
| GEAR CASE COVER ASSEMBLY | 79 |
| GEAR CASE SHAFT | 78 |
| GEAR CASE WITH BUSHING | 77 |
| HOSE - CONTROL/TANK | 88 |
| HOSE - CONTROL/TANK | 61 |
| HOSE - FILTER / PUMP | 66 |
| HOSE - FILTER/TANK | 62 |
| HOSE - PUMP/CONTROL | 86 |
| HOSE - PUMP/CONTROL | 26 |
| HOSE ASSEMBLY (AGITATOR 1/4" X 340) | 65 |
| LEVEL INDICATOR 5 | 70 |
| LID WITH BREATHER | 84 |
| MECHANICAL AGITATOR N. 8 | 63 |
| MECHANICAL AGITATOR NO. 3 | 64 |
| QUICK RELIEF | 81 |
| QUICK RELIEF REDUCTION BOX AND BRANCHES | 30 |
| RETURN HOSE - 1" X 1300MM | 60 |
| RETURN HOSE - 1" X 700 | 87 |
| HYDRAULIC CIRCUIT AND COMPLEMENTS | |
| DIRECTIONAL CONTRL WITH NIPPLE | 93 |
| DUCT ACTUATION CIRCUIT | 36 |
| DUCT ACTUATION CIRCUIT | 91 |
| DUCT ACTUATION CIRCUIT | 38 |
| DUCT ACTUATION CIRCUIT (CHT) | 94 |
| ELECTRICAL HYDRAULIC CONTROL WITH NIPPLE | 90 |
| HYDRAULIC CONTROL - ELECTRIC OPERATION | 89 |
| HYDRAULIC OIL RESERVOIR (4 LITERS) | 92 |
| OPTIONAL ITEMS | |
| 2000 EXTENSION KIT FOR "JS-600" | 46 |
| | |

PROTECTION ASSEMBLY



C3P-115

Controlled copy – Distribution and reproduction prohibited

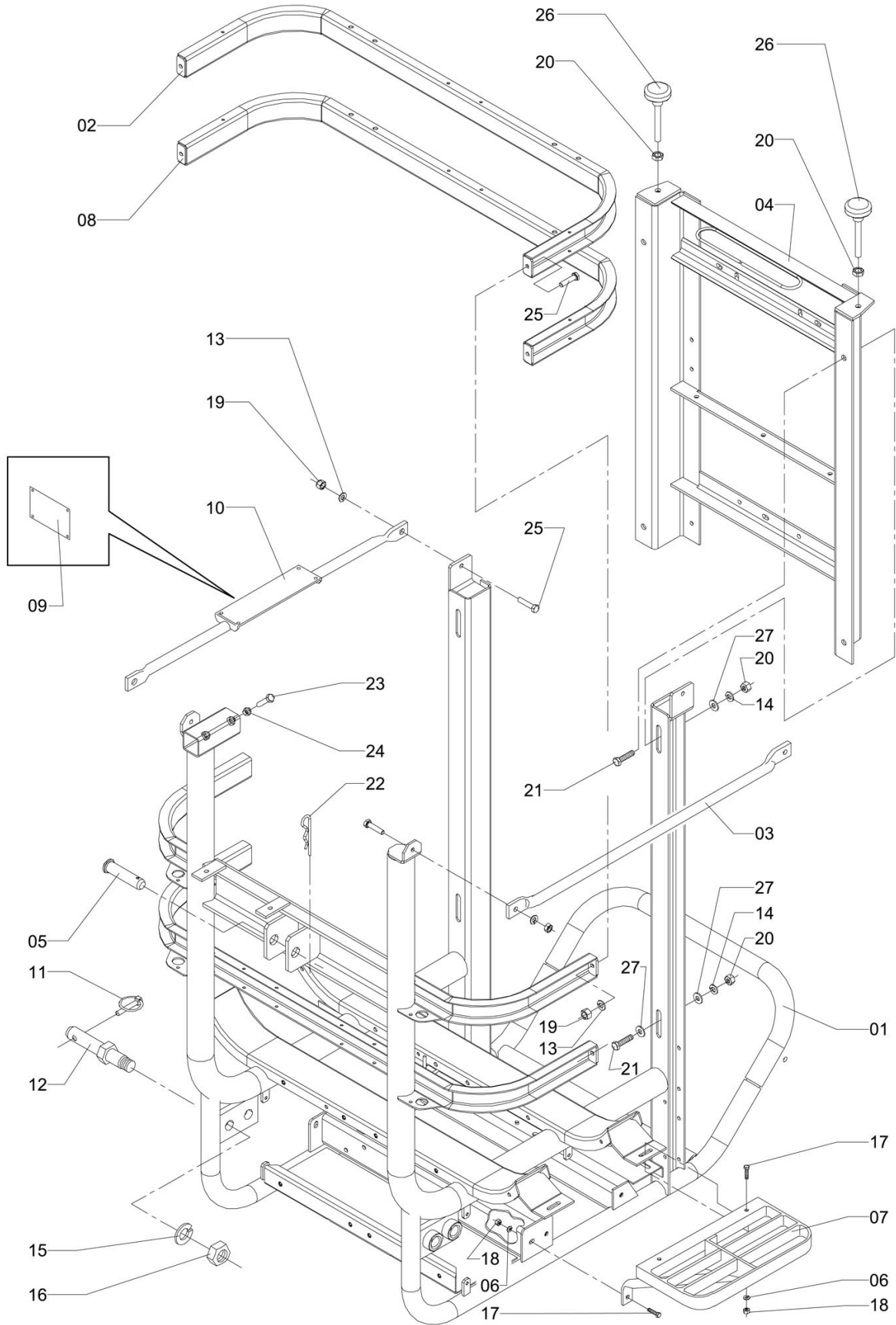
PROTECTION ASSEMBLY

Continuation

| Item | CODE | DESCRIPTION | Qty. | Item | CODE | DESCRIPTION | Qty. |
|------|---------|--|------|------|------|-------------|------|
| 00 | 1177800 | Protection assembly | 1 | | | | |
| 01 | 1177470 | Shaft right protection | 1 | | | | |
| 02 | 1177475 | Shaft left protection | 1 | | | | |
| 03 | 1177476 | Right lateral protection | 1 | | | | |
| 04 | 1177477 | Left lateral protection | 1 | | | | |
| 05 | 1177482 | Lower protection | 1 | | | | |
| 06 | 1177483 | Fastening plate body | 1 | | | | |
| 07 | 1177486 | Transmission protection assembly | 1 | | | | |
| 08 | 1177489 | Chassis right lateral protection | 1 | | | | |
| 09 | 1177491 | Chassis left lateral protection | 1 | | | | |
| 10 | 1176044 | PTO shaft support | 1 | | | | |
| 11 | 288910 | Semiclamp for tubes 42.4 | 1 | | | | |
| 12 | 829382 | Hex head bolt M8 x 25 x 1.25 | 2 | | | | |
| 13 | 519736 | Lock washer | 43 | | | | |
| 14 | 829341 | Hex. head bolt M8 x 16 x 1.25 | 8 | | | | |
| 15 | 881276 | Flat washer 8.7 x 20 x 1.2 - stainless steel | 27 | | | | |
| 16 | 829374 | Hex. head bolt M8 x 20 x 1.25 -cl 8.8 | 33 | | | | |
| 17 | 1177479 | Rear protection body | 2 | | | | |
| 18 | 810770 | Hex. nut M-8 x 1.25 | 14 | | | | |
| 19 | 695262 | Rubber profile 200 | 2 | | | | |
| 20 | 1160584 | Rubber Profile 250 | 1 | | | | |
| 21 | 1176735 | Protection gasket - 140mm | 3 | | | | |
| 22 | 733253 | Flat washer 8.2 X 25.4 X 1.5 steel | 6 | | | | |

Controlled copy – Distribution and reproduction prohibited

CHASSIS AND COMPLEMENTS (ELECTRIC CONTROL)



C3P-117

Controlled copy – Distribution and reproduction prohibited

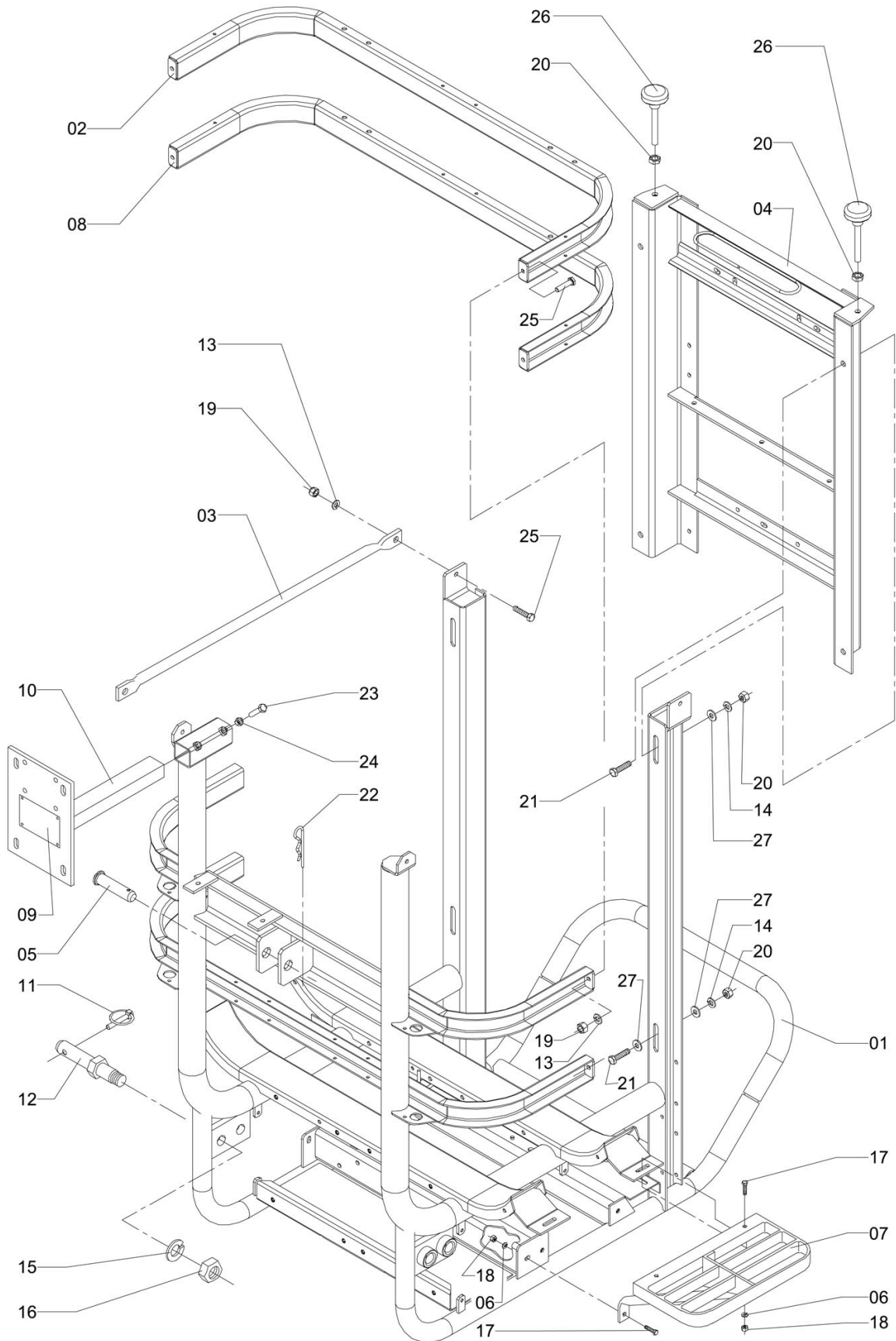
CHASSIS AND COMPLEMENTS (ELECTRIC CONTROL)

Continuation

| Item | CODE | DESCRIPTION | Qty. | Item | CODE | DESCRIPTION | Qty. |
|------|--------|--|------|------|------|-------------|------|
| 00 | 150409 | Chassis and complements (electric control) | 1 | | | | |
| 01 | 516948 | Chassis body | 1 | | | | |
| 02 | 517235 | Upper half-strap | 1 | | | | |
| 03 | 517250 | Angle brace 850 | 1 | | | | |
| 04 | 517268 | Fan support | 1 | | | | |
| 05 | 517383 | Upper coupling pin 1" x 109 | 1 | | | | |
| 06 | 519736 | Lock washer | 3 | | | | |
| 07 | 520791 | Platform | 1 | | | | |
| 08 | 625111 | Lower half-strap | 1 | | | | |
| 09 | 625236 | Plate "With instructions for runing PTO" | 1 | | | | |
| 10 | 149542 | Sprayer Control Support | 1 | | | | |
| 11 | 812636 | Universal lock pin 7/16" | 2 | | | | |
| 12 | 870758 | Lower coupling pin | 2 | | | | |
| 13 | 908566 | Lock washer 3/8" | 8 | | | | |
| 14 | 908582 | Lock washer 1/2" | 4 | | | | |
| 15 | 910075 | Lock washer 1" | 2 | | | | |
| 16 | 910430 | Nut 1" - 8 UNC | 2 | | | | |
| 17 | 912667 | Bolt 5/16" x 18 UNC x 7/8 | 3 | | | | |
| 18 | 912758 | Hex. nut 5/16" - 18 UNC | 3 | | | | |
| 19 | 518761 | Hex. nut 3/8" | 8 | | | | |
| 20 | 912790 | Hex. nut 1/2" - 13 UNC | 6 | | | | |
| 21 | 428573 | Bolt 1/2" - 13 UNC x 1.1/4" | 4 | | | | |
| 22 | 517409 | Cotter pin 3/16" | 1 | | | | |
| 23 | 757559 | Hex. bolt M10 x 30 x 1.25 | 2 | | | | |
| 24 | 907030 | Hex. nut M10 x 1.25 | 2 | | | | |
| 25 | 912709 | Bolt 3/8" - 16 UNC x 1" | 8 | | | | |
| 26 | 517359 | Tightening screw 1/2" - 13 UNC x 78 | 2 | | | | |
| 27 | 818112 | Flat washer 130 x 240 x 30 | 6 | | | | |

Controlled copy – Distribution and reproduction prohibited

CHASSIS AND COMPLEMENTS



C3P-116

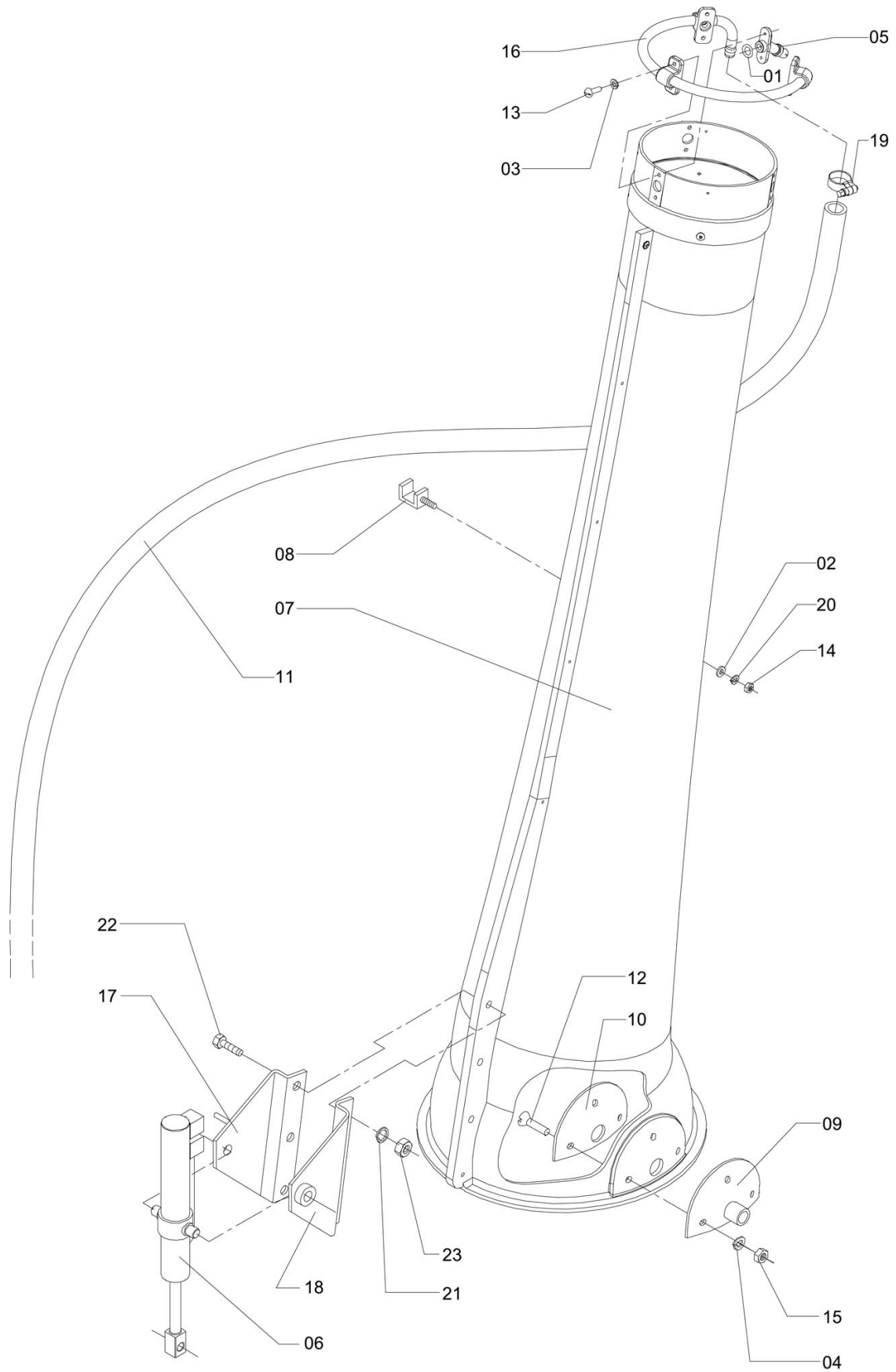
CHASSIS AND COMPLEMENTS

Continuation

| Item | CODE | DESCRIPTION | Qty. | Item | CODE | DESCRIPTION | Qty. |
|------|--------|--|------|------|------|-------------|------|
| 00 | 354779 | Chassis and complements | 1 | | | | |
| 01 | 516948 | Chassis body | 1 | | | | |
| 02 | 517235 | Upper half-strap | 1 | | | | |
| 03 | 517250 | Angle brace 850 | 2 | | | | |
| 04 | 517268 | Fan support | 1 | | | | |
| 05 | 517383 | Upper coupling pin 1" x 109 | 1 | | | | |
| 06 | 519736 | Lock washer | 3 | | | | |
| 07 | 520791 | Platform | 1 | | | | |
| 08 | 625111 | Lower half-strap | 1 | | | | |
| 09 | 625236 | Plate "With instructions for runing PTO" | 1 | | | | |
| 10 | 732180 | Control valve bracket | 1 | | | | |
| 11 | 812636 | Universal lock pin 7/16" | 2 | | | | |
| 12 | 870758 | Lower coupling pin | 2 | | | | |
| 13 | 908566 | Lock washer 3/8" | 8 | | | | |
| 14 | 908582 | Lock washer 1/2" | 4 | | | | |
| 15 | 910075 | Lock washer 1" | 2 | | | | |
| 16 | 910430 | Nut 1" - 8 UNC | 2 | | | | |
| 17 | 912667 | Bolt 5/16" x 18 UNC x 7/8 | 3 | | | | |
| 18 | 912758 | Hex. nut 5/16" - 18 UNC | 3 | | | | |
| 19 | 518761 | Hex. nut 3/8" | 8 | | | | |
| 20 | 912790 | Hex. nut 1/2" - 13 UNC | 6 | | | | |
| 21 | 428573 | Bolt 1/2" - 13 UNC x 1.1/4" | 4 | | | | |
| 22 | 517409 | Cotter pin 3/16" | 1 | | | | |
| 23 | 757559 | Hex. bolt M10 x 30 x 1.25 | 2 | | | | |
| 24 | 907030 | Hex. nut M10 x 1.25 | 2 | | | | |
| 25 | 912709 | Bolt 3/8" - 16 UNC x 1" | 8 | | | | |
| 26 | 517359 | Tightening screw 1/2" - 13 UNC x 78 | 2 | | | | |
| 27 | 818112 | Flat washer 130 x 240 x 30 | 6 | | | | |

Controlled copy – Distribution and reproduction prohibited

VERTICAL DUCT ASSEMBLY (CHT)



CA-293

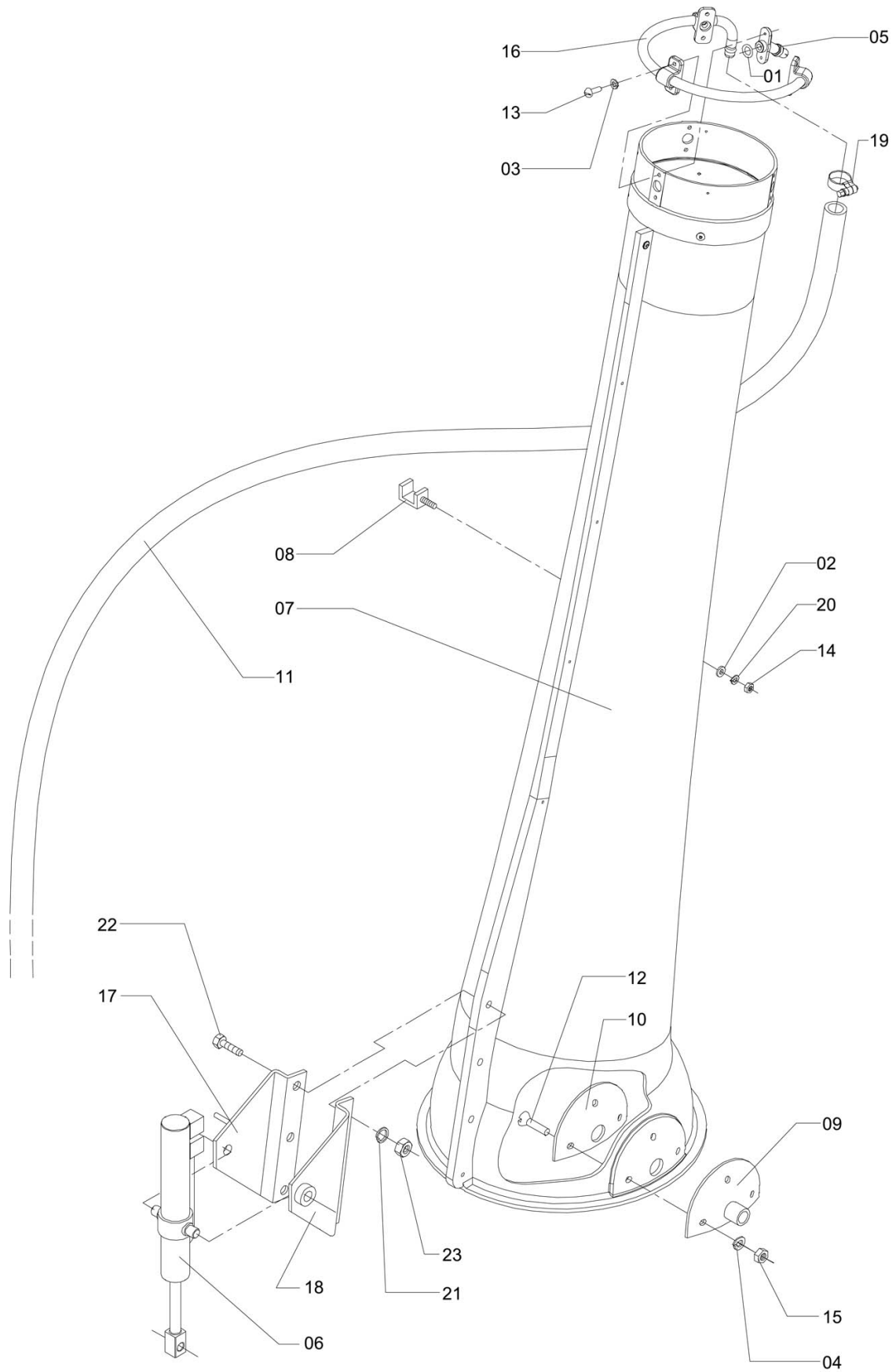
VERTICAL DUCT ASSEMBLY (CHT)

Continuation

| Item | CODE | DESCRIPTION | Qty. | Item | CODE | DESCRIPTION | Qty. |
|------|---------|--|------|------|------|-------------|------|
| 00 | 1189296 | Vertical duct assembly (CHT) | 1 | | | | |
| 01 | 411884 | O-ring ORI - 111 | 3 | | | | |
| 02 | 413468 | Flat washer 6.8 x 18 x 1.2 - stainless steel | 1 | | | | |
| 03 | 520676 | Lock washer 5 | 6 | | | | |
| 04 | 519736 | Lock washer | 12 | | | | |
| 05 | 519603 | Deflector nozzle 30 | 3 | | | | |
| 06 | 045939 | Hydraulic cylinder with nipple - 160 | 1 | | | | |
| 07 | 971663 | Vertical duct | 1 | | | | |
| 08 | 519363 | Single fastener | 1 | | | | |
| 09 | 620633 | External bearing | 2 | | | | |
| 10 | 620674 | Internal bearing | 2 | | | | |
| 11 | 456822 | Hose 1/2" x 3200 | 1 | | | | |
| 12 | 833814 | Screw 5/16" UNC x 1" | 6 | | | | |
| 13 | 202382 | Screw 3/16" UNC x 3/4" | 6 | | | | |
| 14 | 912741 | Nut 1/4" - 20 UNC | 1 | | | | |
| 15 | 912758 | Hex. nut 5/16" - 18 UNC | 6 | | | | |
| 16 | 521617 | Upper nozzle branch | 1 | | | | |
| 17 | 926337 | Cylinder support | 1 | | | | |
| 18 | 926345 | Cylinder support | 1 | | | | |
| 19 | 107664 | Clamp D14-22 - stainless steel | 1 | | | | |
| 20 | 910117 | Lock washer 1/4" | 1 | | | | |
| 21 | 209395 | Lock washer M10 | 3 | | | | |
| 22 | 757559 | Hex. bolt M10 x 30 x 1.25 | 3 | | | | |
| 23 | 209205 | Hex. nut M10 x 1,50 | 3 | | | | |

Controlled copy – Distribution and reproduction prohibited

VERTICAL DUCT ASSEMBLY



CA-293

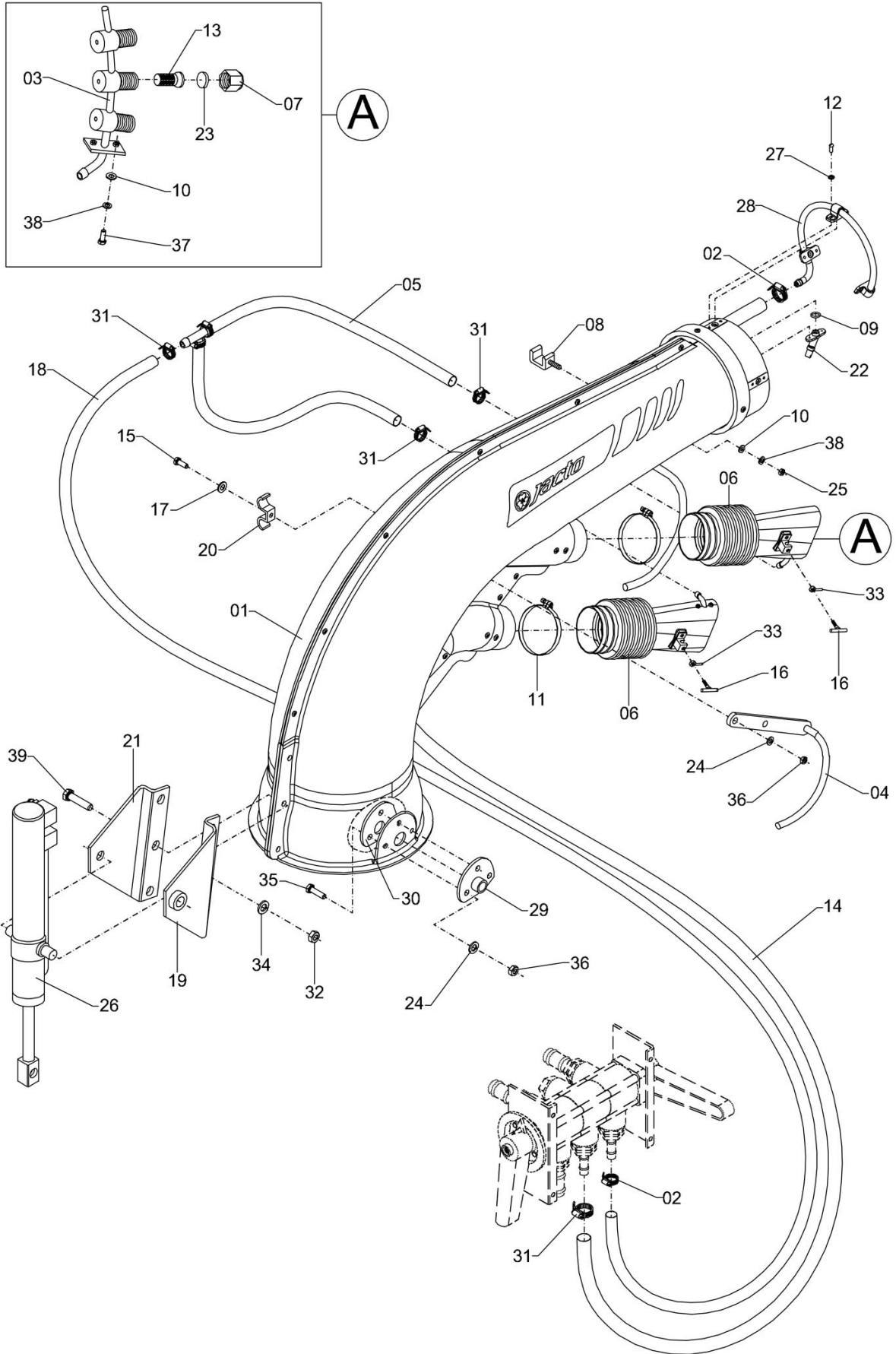
VERTICAL DUCT ASSEMBLY

Continuation

| Item | CODE | DESCRIPTION | Qty. | Item | CODE | DESCRIPTION | Qty. |
|------|---------|--|------|------|------|-------------|------|
| 00 | 1189297 | Vertical duct assembly | 1 | | | | |
| 01 | 411884 | O-ring ORI - 111 | 3 | | | | |
| 02 | 413468 | Flat washer 6.8 x 18 x 1.2 - stainless steel | 1 | | | | |
| 03 | 520676 | Lock washer 5 | 6 | | | | |
| 04 | 519736 | Lock washer | 12 | | | | |
| 05 | 519603 | Deflector nozzle 30 | 3 | | | | |
| 06 | 045947 | Hydraulic cylinder with nipple - 160 | 1 | | | | |
| 07 | 971663 | Vertical duct | 1 | | | | |
| 08 | 519363 | Single fastener | 1 | | | | |
| 09 | 620633 | External bearing | 2 | | | | |
| 10 | 620674 | Internal bearing | 2 | | | | |
| 11 | 456822 | Hose 1/2" x 3200 | 1 | | | | |
| 12 | 833814 | Screw 5/16" UNC x 1" | 6 | | | | |
| 13 | 202382 | Screw 3/16" UNC x 3/4" | 6 | | | | |
| 14 | 912741 | Nut 1/4" - 20 UNC | 1 | | | | |
| 15 | 912758 | Hex. nut 5/16" - 18 UNC | 6 | | | | |
| 16 | 521617 | Upper nozzle branch | 1 | | | | |
| 17 | 926337 | Cylinder support | 1 | | | | |
| 18 | 926345 | Cylinder support | 1 | | | | |
| 19 | 107664 | Clamp D14-22 - stainless steel | 1 | | | | |
| 20 | 910117 | Lock washer 1/4" | 1 | | | | |
| 21 | 209395 | Lock washer M10 | 3 | | | | |
| 22 | 757559 | Hex. bolt M10 x 30 x 1.25 | 3 | | | | |
| 23 | 209205 | Hex. nut M10 x 1,50 | 3 | | | | |

Controlled copy – Distribution and reproduction prohibited

DUCT ASSEMBLY - CHT



DT-40

Controlled copy – Distribution and reproduction prohibited

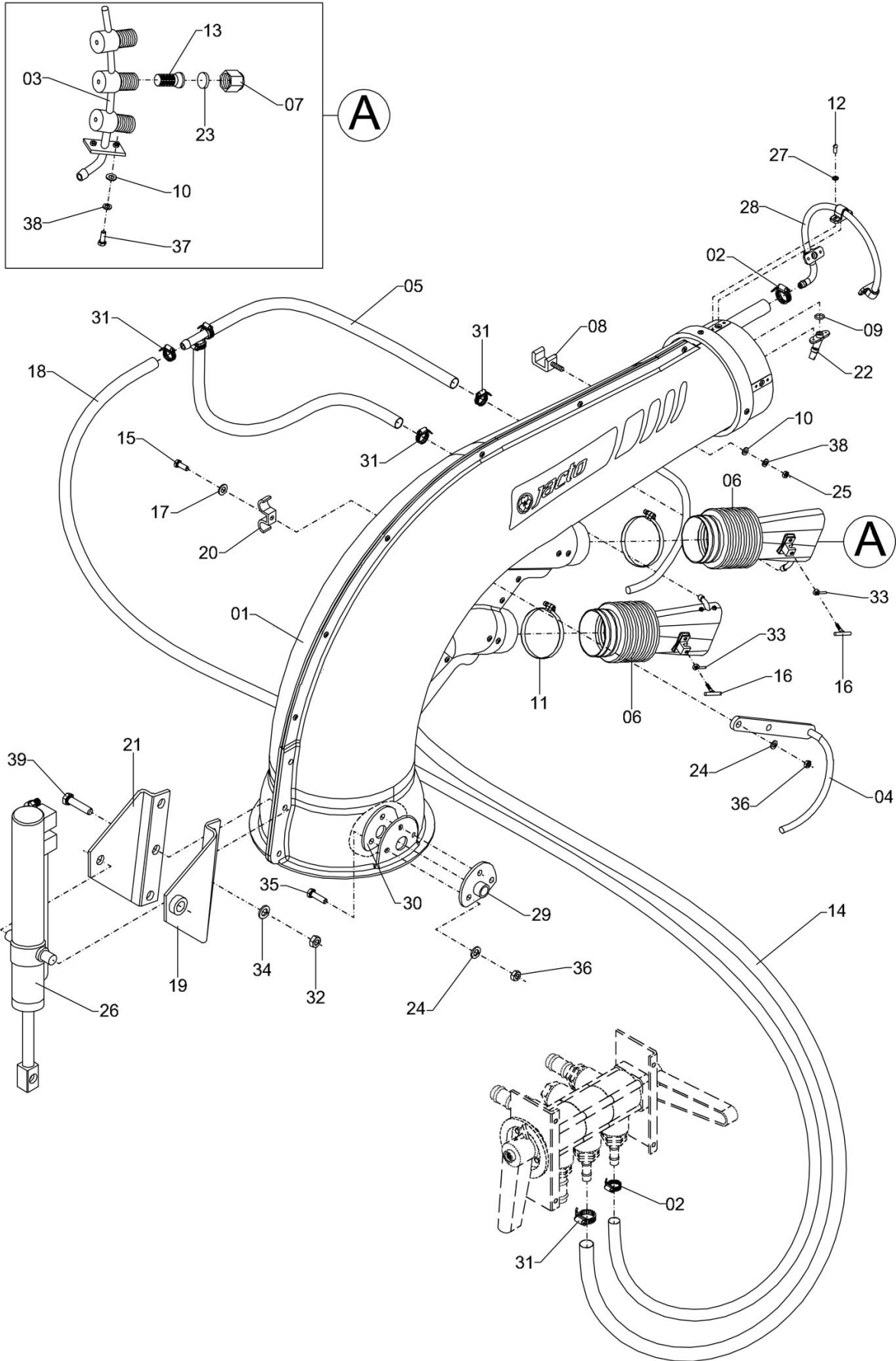
DUCT ASSEMBLY - CHT

Continuation

| Item | CODE | DESCRIPTION | Qty. | Item | CODE | DESCRIPTION | Qty. |
|------|---------|--|------|------|------|-------------|------|
| 00 | 1189291 | Duct assembly - CHT | 1 | | | | |
| 01 | 332429 | Outlet duct | 1 | | | | |
| 02 | 107664 | Clamp D14-22 - stainless steel | 1 | | | | |
| 03 | 332536 | Lower nozzle branch | 2 | | | | |
| 04 | 332569 | Lower slide | 1 | | | | |
| 05 | 695791 | Outlet duct hose | 1 | | | | |
| 06 | 337972 | Lower outlet hose | 2 | | | | |
| 07 | 039545 | Hex. nut 11/16" - 16 UNC | 6 | | | | |
| 08 | 519363 | Single fastener | 1 | | | | |
| 09 | 411884 | O-ring ORI - 111 | 3 | | | | |
| 10 | 413468 | Flat washer 6.8 x 18 x 1.2 - stainless steel | 5 | | | | |
| 11 | 332635 | Clamp D102-121 - stainless steel | 2 | | | | |
| 12 | 202382 | Screw 3/16" UNC x 3/4" | 6 | | | | |
| 13 | 439083 | Nozzle filter (50 mesh) - black/black | 6 | | | | |
| 14 | 517904 | Hose 1/2" x 4100 - PT 80 | 1 | | | | |
| 15 | 721704 | Hex. bolt 5/16" UNC 1.1/4" | 2 | | | | |
| 16 | 944439 | Locking screw 5/16" - 18 UNC x 28 | 2 | | | | |
| 17 | 013433 | Flat washer 4.8 x 16 x 1.6 inox | 1 | | | | |
| 19 | 926345 | Cylinder support | 1 | | | | |
| 20 | 519389 | Double fastener | 1 | | | | |
| 21 | 926337 | Cylinder support | 1 | | | | |
| 22 | 519603 | Deflector nozzle 30 | 3 | | | | |
| 23 | 519645 | Blank disk | 6 | | | | |
| 24 | 519736 | Lock washer | 8 | | | | |
| 25 | 912741 | Nut 1/4" - 20 UNC | 1 | | | | |
| 26 | 045939 | Hydraulic cylinder with nipple - 160 | 1 | | | | |
| 27 | 520676 | Lock washer 5 | 6 | | | | |
| 28 | 521617 | Upper nozzle branch | 1 | | | | |
| 29 | 620633 | External bearing | 2 | | | | |
| 30 | 620674 | Internal bearing | 2 | | | | |
| 31 | 063370 | Clamp D11-16 - stainless steel | 3 | | | | |
| 32 | 518761 | Hex. nut 3/8" | 3 | | | | |
| 33 | 823682 | Lock nut 5/16" - 18 UNC x 28 | 2 | | | | |
| 34 | 908566 | Lock washer 3/8" | 3 | | | | |
| 35 | 833814 | Screw 5/16" UNC x 1" | 6 | | | | |
| 36 | 912758 | Hex. nut 5/16" - 18 UNC | 8 | | | | |
| 37 | 910109 | Screw 1/4" - 20 UNC x 1/2" | 4 | | | | |
| 38 | 910117 | Lock washer 1/4" | 5 | | | | |
| 39 | 518753 | Bolt 3/8" - 16 UNC x 1.1/4" | 3 | | | | |

Controlled copy – Distribution and reproduction prohibited

DUCT ASSEMBLY



CA-297

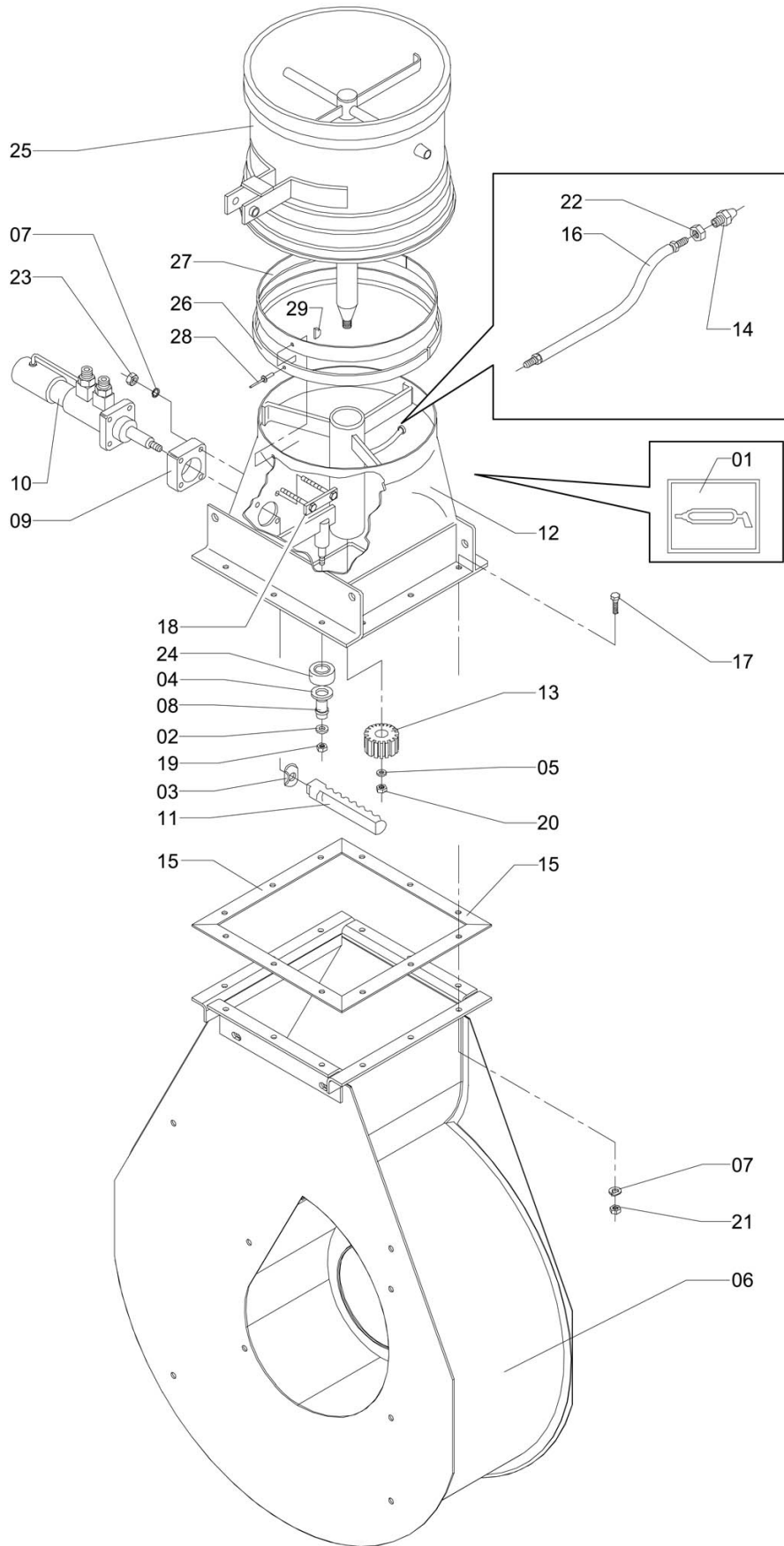
DUCT ASSEMBLY

Continuation

| Item | CODE | DESCRIPTION | Qty. | Item | CODE | DESCRIPTION | Qty. |
|------|---------|--|------|------|------|-------------|------|
| 00 | 1189293 | Duct assembly | 1 | | | | |
| 01 | 332429 | Outlet duct | 1 | | | | |
| 02 | 107664 | Clamp D14-22 - stainless steel | 1 | | | | |
| 03 | 332536 | Lower nozzle branch | 2 | | | | |
| 04 | 332569 | Lower slide | 1 | | | | |
| 05 | 695791 | Outlet duct hose | 1 | | | | |
| 06 | 337972 | Lower outlet hose | 2 | | | | |
| 07 | 039545 | Hex. nut 11/16" - 16 UNC | 6 | | | | |
| 08 | 519363 | Single fastener | 1 | | | | |
| 09 | 411884 | O-ring ORI - 111 | 3 | | | | |
| 10 | 413468 | Flat washer 6.8 x 18 x 1.2 - stainless steel | 5 | | | | |
| 11 | 332635 | Clamp D102-121 - stainless steel | 2 | | | | |
| 12 | 202382 | Screw 3/16" UNC x 3/4" | 6 | | | | |
| 13 | 439083 | Nozzle filter (50 mesh) - black/black | 6 | | | | |
| 14 | 517904 | Hose 1/2" x 4100 - PT 80 | 1 | | | | |
| 15 | 721704 | Hex. bolt 5/16" UNC 1.1/4" | 2 | | | | |
| 16 | 944439 | Locking screw 5/16" - 18 UNC x 28 | 2 | | | | |
| 17 | 013433 | Flat washer 4.8 x 16 x 1.6 inox | 1 | | | | |
| 19 | 926345 | Cylinder support | 1 | | | | |
| 20 | 519389 | Double fastener | 1 | | | | |
| 21 | 926337 | Cylinder support | 1 | | | | |
| 22 | 519603 | Deflector nozzle 30 | 3 | | | | |
| 23 | 519645 | Blank disk | 6 | | | | |
| 24 | 519736 | Lock washer | 8 | | | | |
| 25 | 912741 | Nut 1/4" - 20 UNC | 1 | | | | |
| 26 | 045947 | Hydraulic cylinder with nipple - 160 | 1 | | | | |
| 27 | 520676 | Lock washer 5 | 6 | | | | |
| 28 | 521617 | Upper nozzle branch | 1 | | | | |
| 29 | 620633 | External bearing | 2 | | | | |
| 30 | 620674 | Internal bearing | 2 | | | | |
| 31 | 063370 | Clamp D11-16 - stainless steel | 3 | | | | |
| 32 | 518761 | Hex. nut 3/8" | 3 | | | | |
| 33 | 823682 | Lock nut 5/16" - 18 UNC x 28 | 2 | | | | |
| 34 | 908566 | Lock washer 3/8" | 3 | | | | |
| 35 | 833814 | Screw 5/16" UNC x 1" | 6 | | | | |
| 36 | 912758 | Hex. nut 5/16" - 18 UNC | 8 | | | | |
| 37 | 910109 | Screw 1/4" - 20 UNC x 1/2" | 4 | | | | |
| 38 | 910117 | Lock washer 1/4" | 5 | | | | |
| 39 | 518753 | Bolt 3/8" - 16 UNC x 1.1/4" | 3 | | | | |

Controlled copy – Distribution and reproduction prohibited

FAN BOX ASSEMBLY



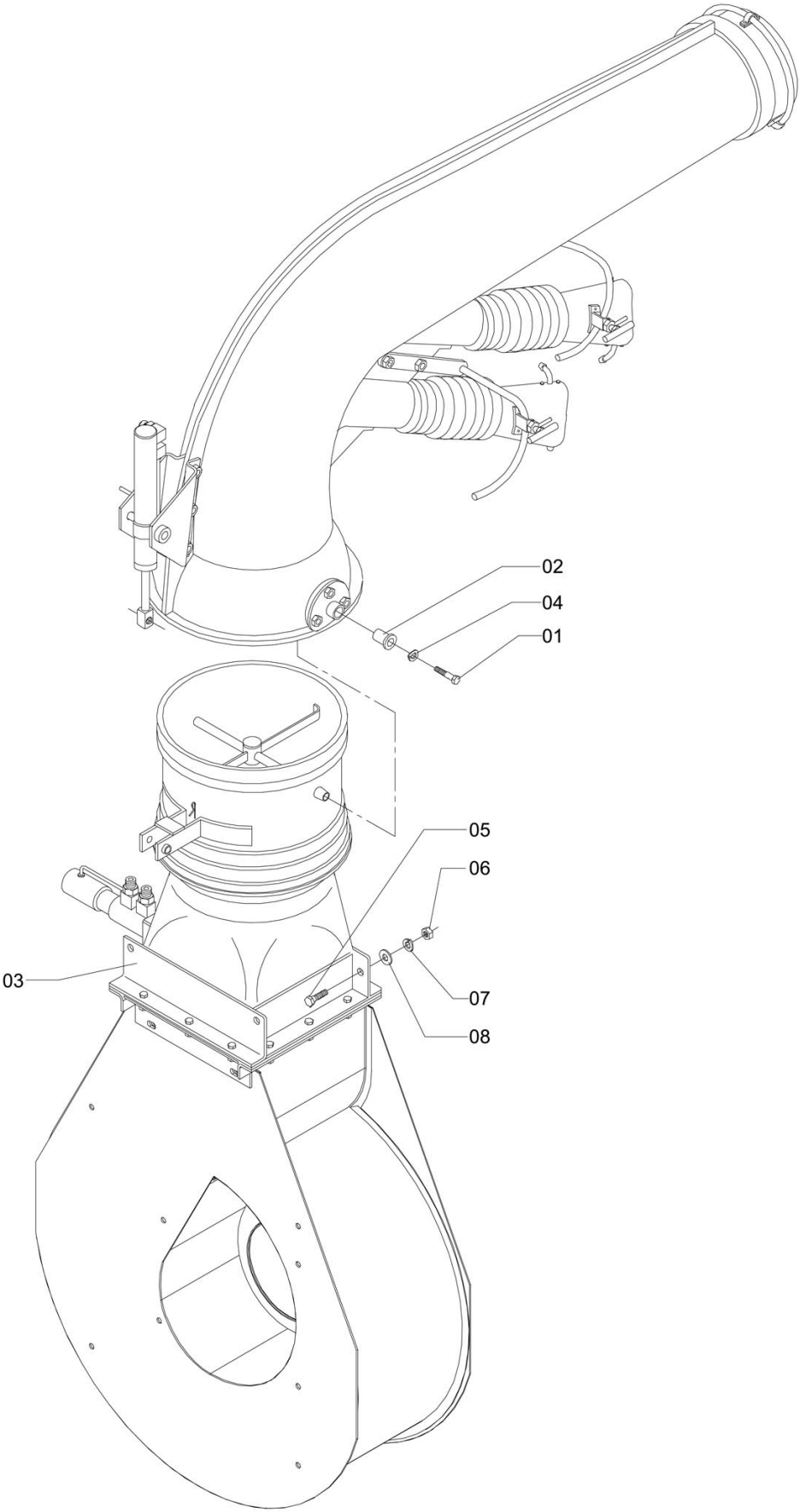
CA-296

FAN BOX ASSEMBLY

Continuation

| Item | CODE | DESCRIPTION | Qty. | Item | CODE | DESCRIPTION | Qty. |
|------|---------|---|------|------|------|-------------|------|
| 00 | 1188730 | Fan box assembly | 1 | | | | |
| 01 | 276220 | Sticker: "Lubrication Point Indication" | 1 | | | | |
| 02 | 623884 | Flat washer 10.5 x 21 x 2 - stainless steel | 1 | | | | |
| 03 | 903591 | Flat washer 25.8 x 13.4 x 1.25 | 1 | | | | |
| 04 | 705129 | Flat washer 152 x 272 x 9 | 1 | | | | |
| 05 | 881243 | Flat washer 17 x 30 x 1,9 - stainless steel | 1 | | | | |
| 06 | 518605 | Fan housing | 1 | | | | |
| 07 | 519736 | Lock washer | 16 | | | | |
| 08 | 519330 | Bushing | 1 | | | | |
| 09 | 519983 | Hydraulic cylinder spacer | 1 | | | | |
| 10 | 045913 | Hydraulic cylinder with nipples - 32 x 100 | 1 | | | | |
| 11 | 519975 | Rack | 1 | | | | |
| 12 | 519199 | Fixed duct | 1 | | | | |
| 13 | 519355 | Gear | 1 | | | | |
| 14 | 918748 | Grease nipple M6 x 1 - 45 | 1 | | | | |
| 15 | 519702 | Packing 32 x 325 x 3.20 | 4 | | | | |
| 16 | 695759 | Hose assembly (Agitator 1/4" x 340) | 1 | | | | |
| 17 | 829382 | Hex head bolt M8 x 25 x 1.25 | 12 | | | | |
| 18 | 520999 | Clip plate | 2 | | | | |
| 19 | 108761 | Nut 3/8" - 16 UNC | 1 | | | | |
| 20 | 521021 | Nut M-16 X 1.50 DODI LOC | 1 | | | | |
| 21 | 810770 | Hex. nut M8 x 1.25 | 12 | | | | |
| 22 | 907030 | Hex. nut M10 x 1.25 | 1 | | | | |
| 23 | 912758 | Hex. nut 5/16" - 18 UNC | 4 | | | | |
| 24 | 520734 | Bearing no. 6002 | 1 | | | | |
| 25 | 519033 | Intermediate duct | 1 | | | | |
| 26 | 519314 | Fastening ring | 1 | | | | |
| 27 | 519306 | Packing | 1 | | | | |
| 28 | 519785 | Rivbet Pop | 8 | | | | |
| 29 | 519348 | Half moon key 6 x 9 x 22 | 1 | | | | |

APPLICATION ASSEMBLY (WITH EXTENSION)



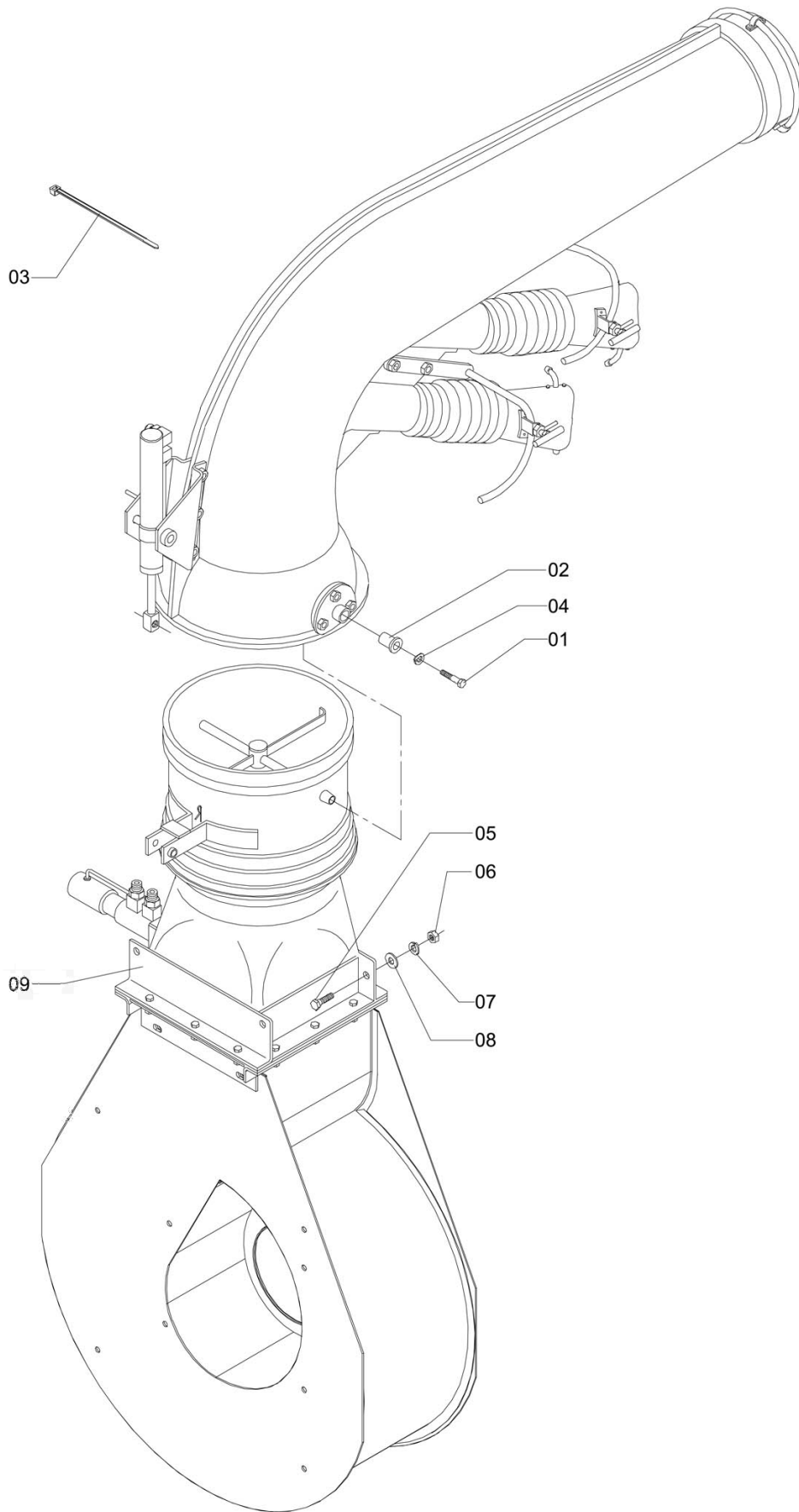
CA-295

APPLICATION ASSEMBLY (WITH EXTENSION)

Continuation

| Item | CODE | DESCRIPTION | Qty. | Item | CODE | DESCRIPTION | Qty. |
|------|---------|---|------|------|------|-------------|------|
| 00 | 684654 | Application assembly (with extension) | 1 | | | | |
| 01 | 912717 | Bolt 3/8" x 16 UNC x 1.3/4" | 2 | | | | |
| 02 | 620682 | Bushing 15.9 x 28 | 2 | | | | |
| 03 | 1188730 | Fan box assembly | 1 | | | | |
| 04 | 908566 | Lock washer 3/8" | 2 | | | | |
| 05 | 829515 | Hex. bolt M10 x 1.5 x 25 CL8.8 | 8 | | | | |
| 06 | 209205 | Hex. nut M10 x 1,50 | 8 | | | | |
| 07 | 209395 | Lock washer M10 | 8 | | | | |
| 08 | 623884 | Flat washer 10.5 x 21 x 2 - stainless steel | 8 | | | | |

APPLICATION ASSEMBLY



CA-294

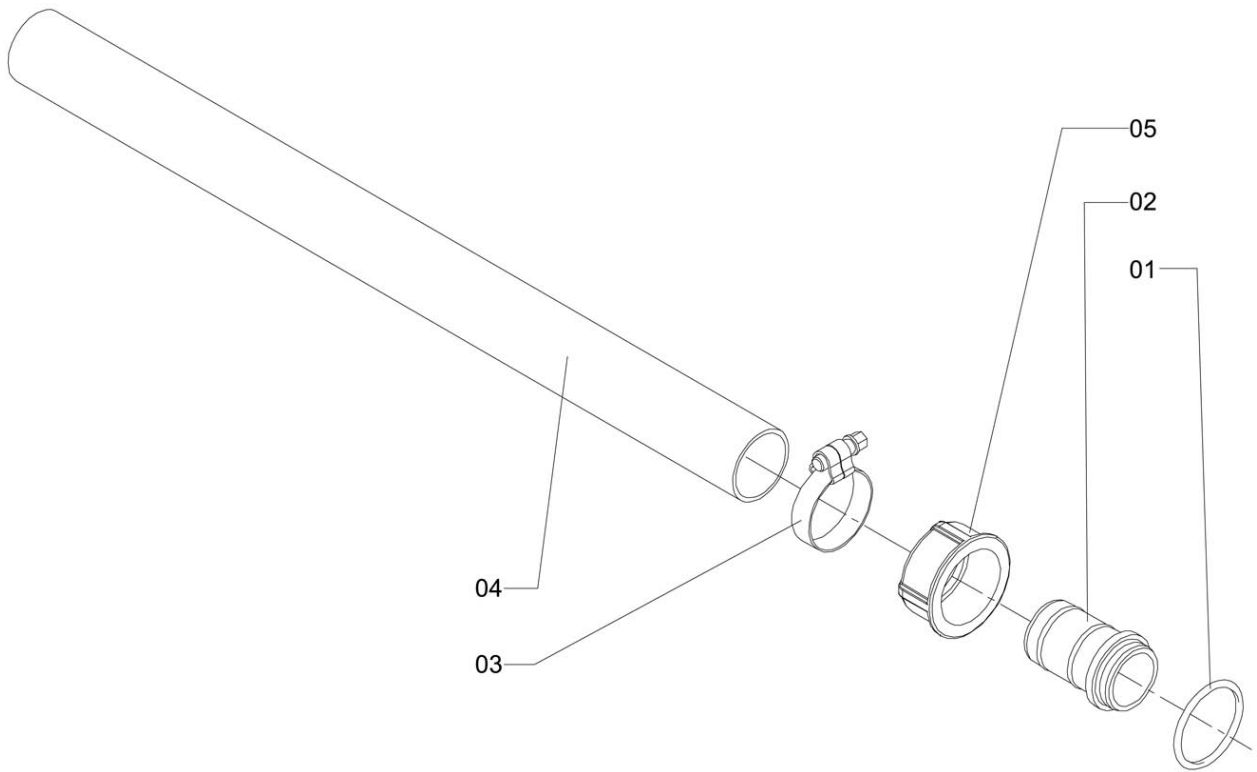
APPLICATION ASSEMBLY

Continuation

| Item | CODE | DESCRIPTION | Qty. | Item | CODE | DESCRIPTION | Qty. |
|------|---------|---|------|------|------|-------------|------|
| 00 | 445874 | Application assembly | 1 | | | | |
| 01 | 912717 | Bolt 3/8" x 16 UNC x 1.3/4" | 2 | | | | |
| 02 | 620682 | Bushing 15.9 x 28 | 2 | | | | |
| 03 | 326710 | Hose tie | 2 | | | | |
| 04 | 908566 | Lock washer 3/8" | 2 | | | | |
| 05 | 829515 | Hex. bolt M10 x 1.5 x 25 CL8.8 | 4 | | | | |
| 06 | 209205 | Hex. nut M10 x 1,50 | 4 | | | | |
| 07 | 209395 | Lock washer M10 | 4 | | | | |
| 08 | 623884 | Flat washer 10.5 x 21 x 2 - stainless steel | 4 | | | | |
| 09 | 1188730 | Fan box assembly | 1 | | | | |

Controlled copy – Distribution and reproduction prohibited

HOSE - PUMP/CONTROL



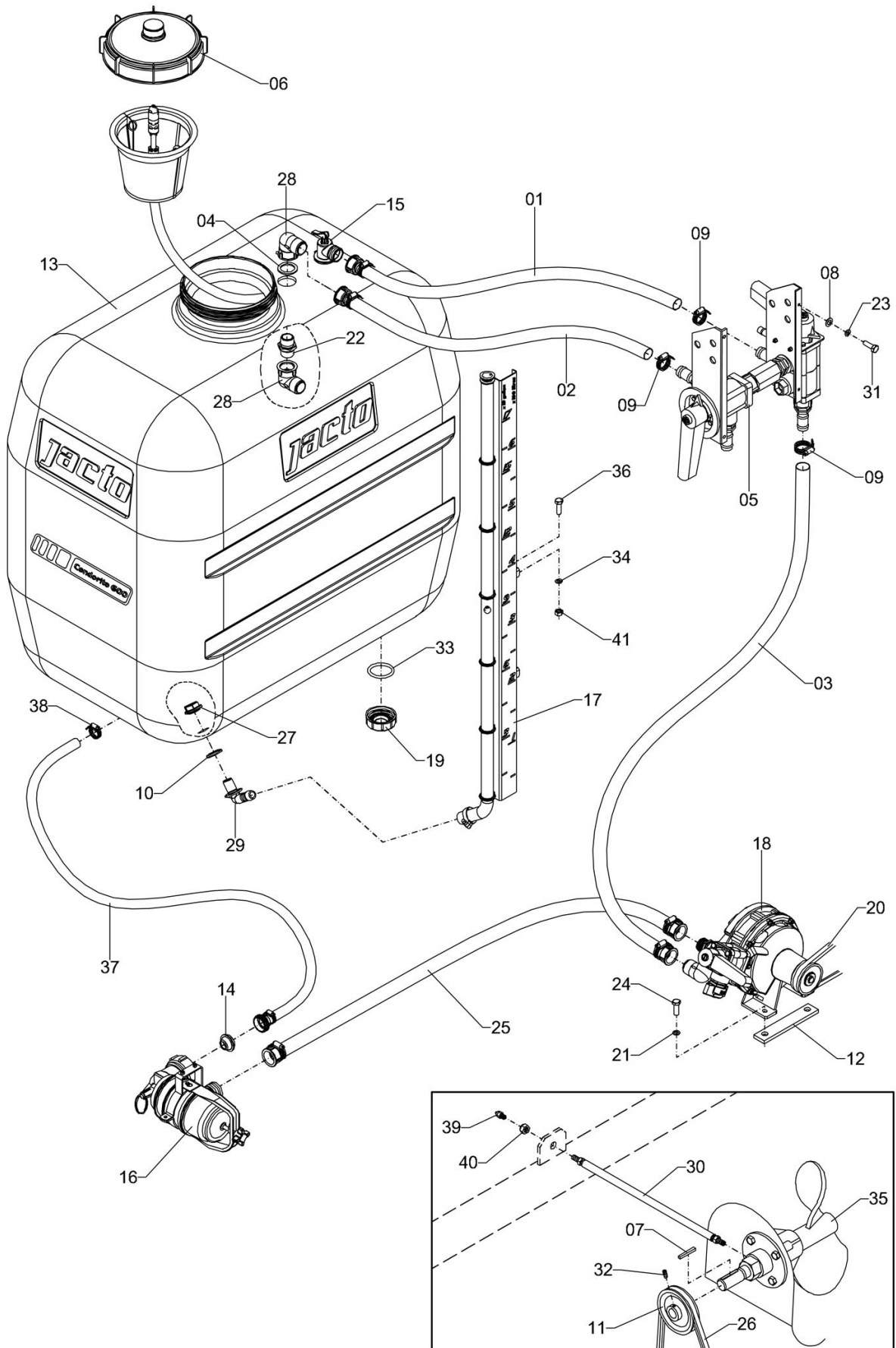
MD-061

HOSE - PUMP/CONTROL

Continuation

| Item | CODE | DESCRIPTION | Qty. | Item | CODE | DESCRIPTION | Qty. |
|------|--------|--------------------------------------|------|------|------|-------------|------|
| 00 | 168385 | Hose - Pump/Control | 1 | | | | |
| 01 | 402412 | Lock washer 31 x 22.5 x 22.5/3.0 | 1 | | | | |
| 02 | 404434 | Hose fitting | 1 | | | | |
| 03 | 423814 | Clamp D22-32 - stainless steel | 1 | | | | |
| 04 | 839563 | Hose 25.4 (1") x 2000 - km 25 - blue | 1 | | | | |
| 05 | 511733 | Round nut 1" BSP (40-45) | 1 | | | | |

CHEMICAL CIRCUIT



CD-1089

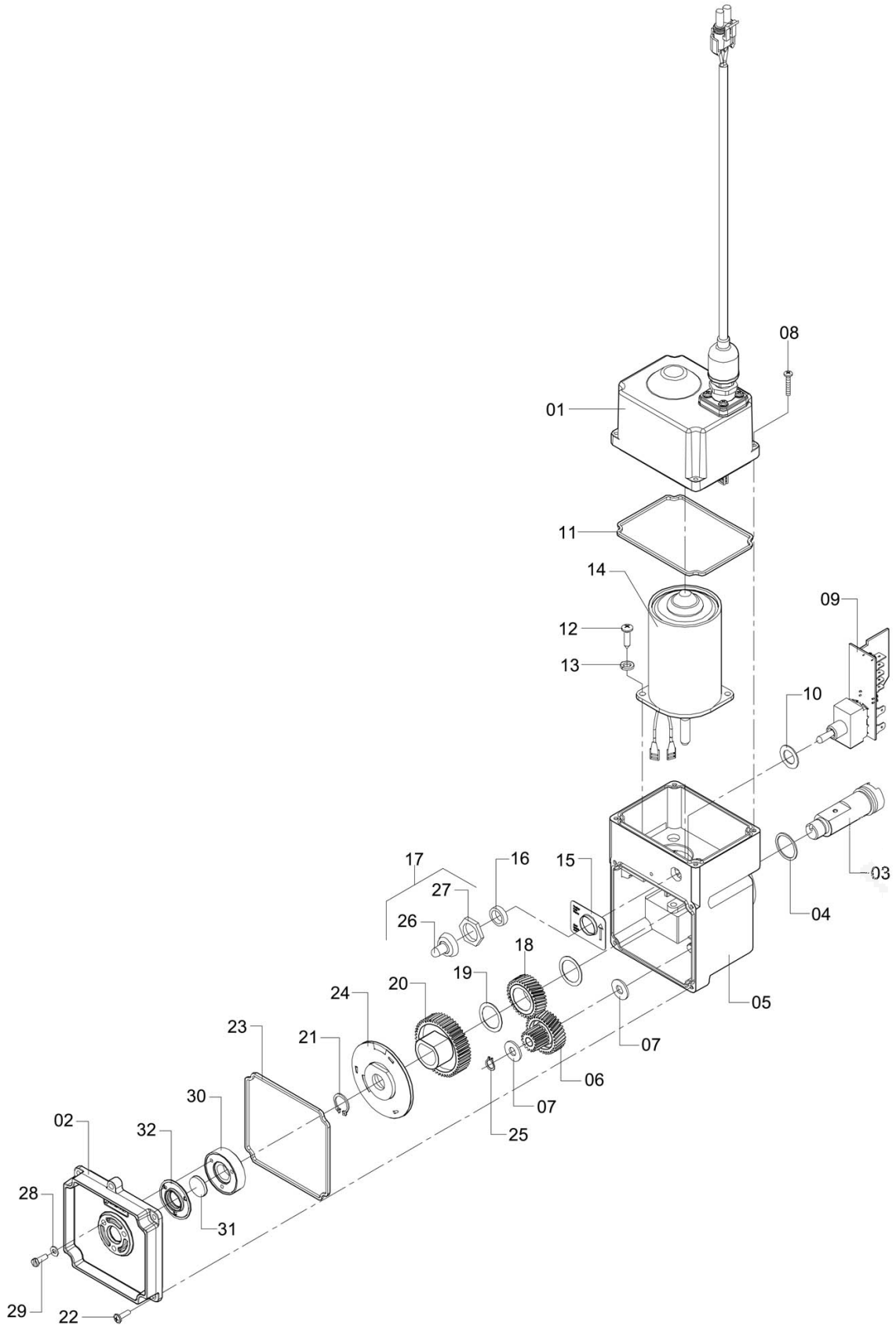
CHEMICAL CIRCUIT

Continuation

| Item | CODE | DESCRIPTION | Qty. | Item | CODE | DESCRIPTION | Qty. |
|------|--------|--|------|------|------|-------------|------|
| 00 | 333773 | Chemical circuit | 1 | | | | |
| 01 | 168369 | Hose - Control/Tank | 1 | | | | |
| 02 | 168377 | Return hose - 1" x 1300mm | 1 | | | | |
| 03 | 168385 | Hose - Pump/Control | 1 | | | | |
| 04 | 212472 | Packing 45 x 33.5 | 1 | | | | |
| 05 | 333690 | Flow rate regulating valve | 1 | | | | |
| 06 | 037374 | Lid with breather | 1 | | | | |
| 07 | 405597 | Square key 4,75 (3/16") x 28 | 1 | | | | |
| 08 | 413468 | Flat washer 6.8 x 18 x 1.2 - stainless steel | 4 | | | | |
| 09 | 423814 | Clamp D22-32 - stainless steel | 3 | | | | |
| 10 | 973024 | Seal 36 x 21 x 6 | 1 | | | | |
| 11 | 517763 | Pulley 119-1A | 1 | | | | |
| 12 | 520221 | Bolt guide | 1 | | | | |
| 13 | 137174 | 600-liter tank | 1 | | | | |
| 14 | 005934 | Valve seat | 1 | | | | |
| 15 | 060434 | Chemical container rinse nozzle no.4 | 1 | | | | |
| 16 | 613596 | 100-liter suction Filter with Valve | 1 | | | | |
| 17 | 716670 | Level indicator 5 | 1 | | | | |
| 18 | 164871 | Centrifugal pump with 3-way valve | 1 | | | | |
| 19 | 900761 | Drain cap 67 | 1 | | | | |
| 20 | 907592 | Trapezoid belt A-45 | 1 | | | | |
| 21 | 908566 | Lock washer 3/8" | 2 | | | | |
| 22 | 910000 | Nipple 1" BSP | 1 | | | | |
| 23 | 910117 | Lock washer 1/4" | 2 | | | | |
| 24 | 912709 | Bolt 3/8" - 16 UNC x 1" | 2 | | | | |
| 25 | 168351 | Hose - Filter / Pump | 1 | | | | |
| 26 | 913624 | Trapeze belt A 38 | 1 | | | | |
| 27 | 428748 | Flanged nut 1/2" BSP -14 F.P.P. | 1 | | | | |
| 28 | 902817 | Male/female elbow 1" BSP x 90° | 2 | | | | |
| 29 | 428730 | Elbow 3/4" x 1/2" BSP -14 F.P.P. | 1 | | | | |
| 30 | 050385 | Hose assembly (Agitator 1/4" x 340) | 1 | | | | |
| 31 | 009977 | Bolt 1/4" - 20 UNC | 2 | | | | |
| 32 | 997205 | Bolt M6 x 10 x 0.8 | 1 | | | | |
| 33 | 096032 | Packing ring 60,8 x 50,2 | 1 | | | | |
| 34 | 521666 | Lock washer 5 - stainless steel | 2 | | | | |
| 35 | 517573 | Mechanical agitator no. 3 | 1 | | | | |
| 36 | 829507 | Hex. head bolt M6 x 1 x 16 CL8.8 | 2 | | | | |
| 37 | 168393 | Hose - Filter/Tank | 1 | | | | |
| 38 | 330969 | Clamp D25-38 - stainless steel | 1 | | | | |
| 39 | 910463 | Grease nipple 1/4" - 28 UNF | 1 | | | | |
| 40 | 912741 | Nut 1/4" - 20 UNC | 2 | | | | |
| 41 | 810689 | Hex. nut M6 x 1 CL8 | 2 | | | | |

Controlled copy – Distribution and reproduction prohibited

QUICK RELIEF REDUCTION BOX AND BRANCHES



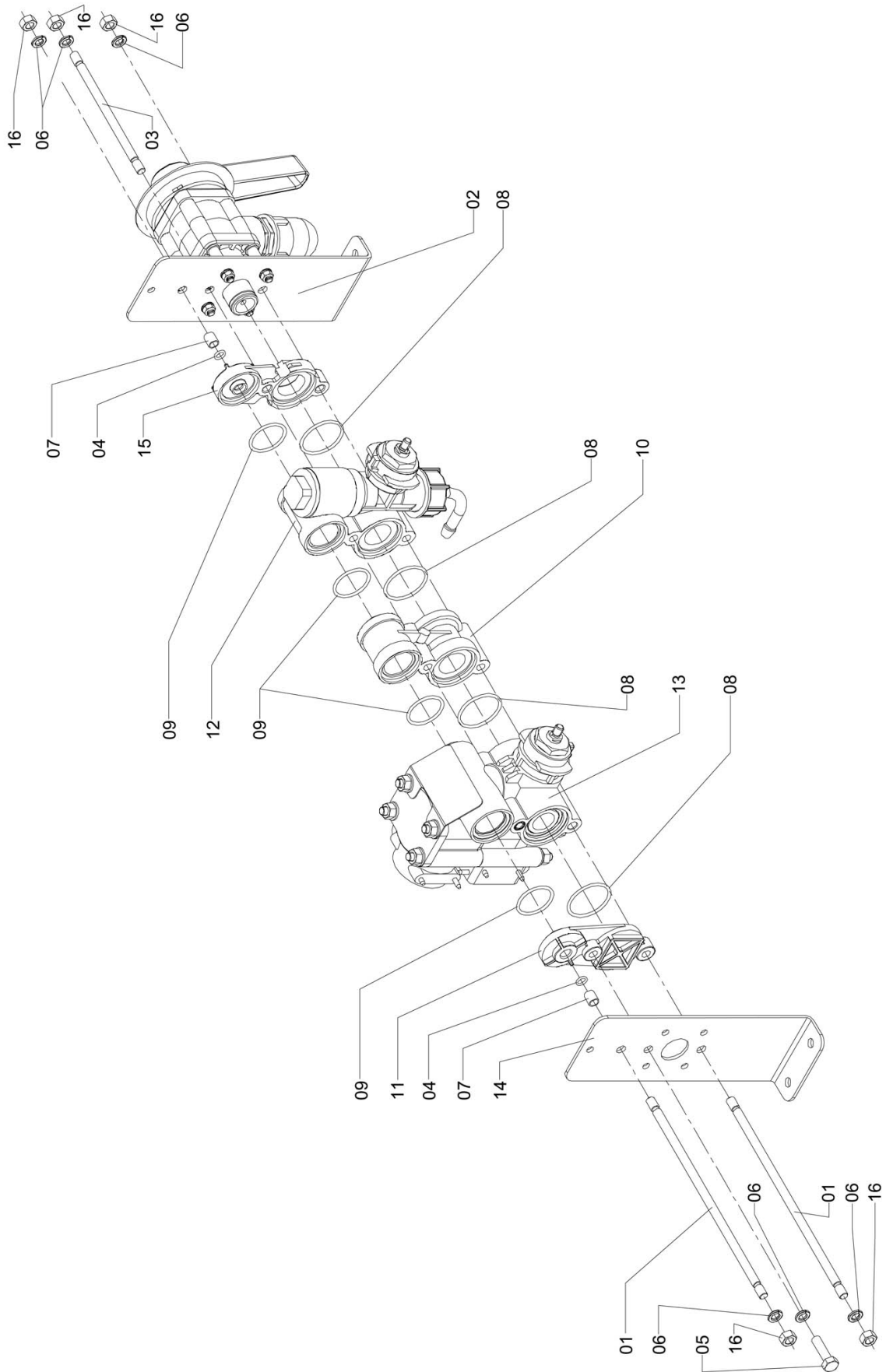
CV-581

QUICK RELIEF REDUCTION BOX AND BRANCHES

Continuation

| Item | CODE | DESCRIPTION | Qty. | Item | CODE | DESCRIPTION | Qty. |
|------|---------|---|------|------|------|-------------|------|
| 00 | 582254 | Quick relief reduction box and branches | 1 | | | | |
| 01 | 795294 | Cover assembly - quick relief motor | 1 | | | | |
| 02 | 189803 | Gear case cover assembly | 1 | | | | |
| 03 | 867069 | Gear case shaft | 1 | | | | |
| 04 | 164343 | Seat washer M24 | 1 | | | | |
| 05 | 172973 | Gear case with bushing | 1 | | | | |
| 06 | 983957 | Conjugate gear | 1 | | | | |
| 07 | 093369 | Flat washer 84 x 127 x 12.4 | 2 | | | | |
| 08 | 878769 | Screw 3.5 x 20 | 4 | | | | |
| 09 | 893347 | Boom section plate assembly | 1 | | | | |
| 10 | 109462 | Flat washer 120 x 205 x 9 | 1 | | | | |
| 11 | 063032 | Engine cover ring | 1 | | | | |
| 12 | 304774 | Self-tapping screw 4,8 x 19 | 2 | | | | |
| 13 | 520676 | Lock washer 5 | 2 | | | | |
| 14 | 1200809 | Electric motor | 1 | | | | |
| 15 | 061176 | Plate | 1 | | | | |
| 16 | 796953 | Packing ring | 1 | | | | |
| 17 | 508408 | Fastener nut | 1 | | | | |
| 18 | 472340 | Right helicoidal gear | 1 | | | | |
| 19 | 965087 | Flat washer 205 x 270 x 5 | 1 | | | | |
| 20 | 983965 | Gear | 1 | | | | |
| 21 | 997239 | Snap ring for shaft 14 | 1 | | | | |
| 22 | 709642 | Bolt PH 4 x 14 | 5 | | | | |
| 23 | 062265 | Box ring | 1 | | | | |
| 24 | 175737 | Contact disc | 1 | | | | |
| 25 | 049833 | Snap ring | 1 | | | | |
| 26 | 505800 | Wrench cap | 1 | | | | |
| 27 | 876482 | Wrench fastening nut | 1 | | | | |
| 28 | 050187 | Flat washer 4.3 x 9 x 0.8 - stainless steel | 3 | | | | |
| 29 | 727669 | Bolt M4 x 12 | 3 | | | | |
| 30 | 189845 | Sliding bearing | 1 | | | | |
| 31 | 189795 | Gearbox sight | 1 | | | | |
| 32 | 189126 | Sight seal | 1 | | | | |

ELECTRICAL CONTROL - MASTERFLOW



CV-645

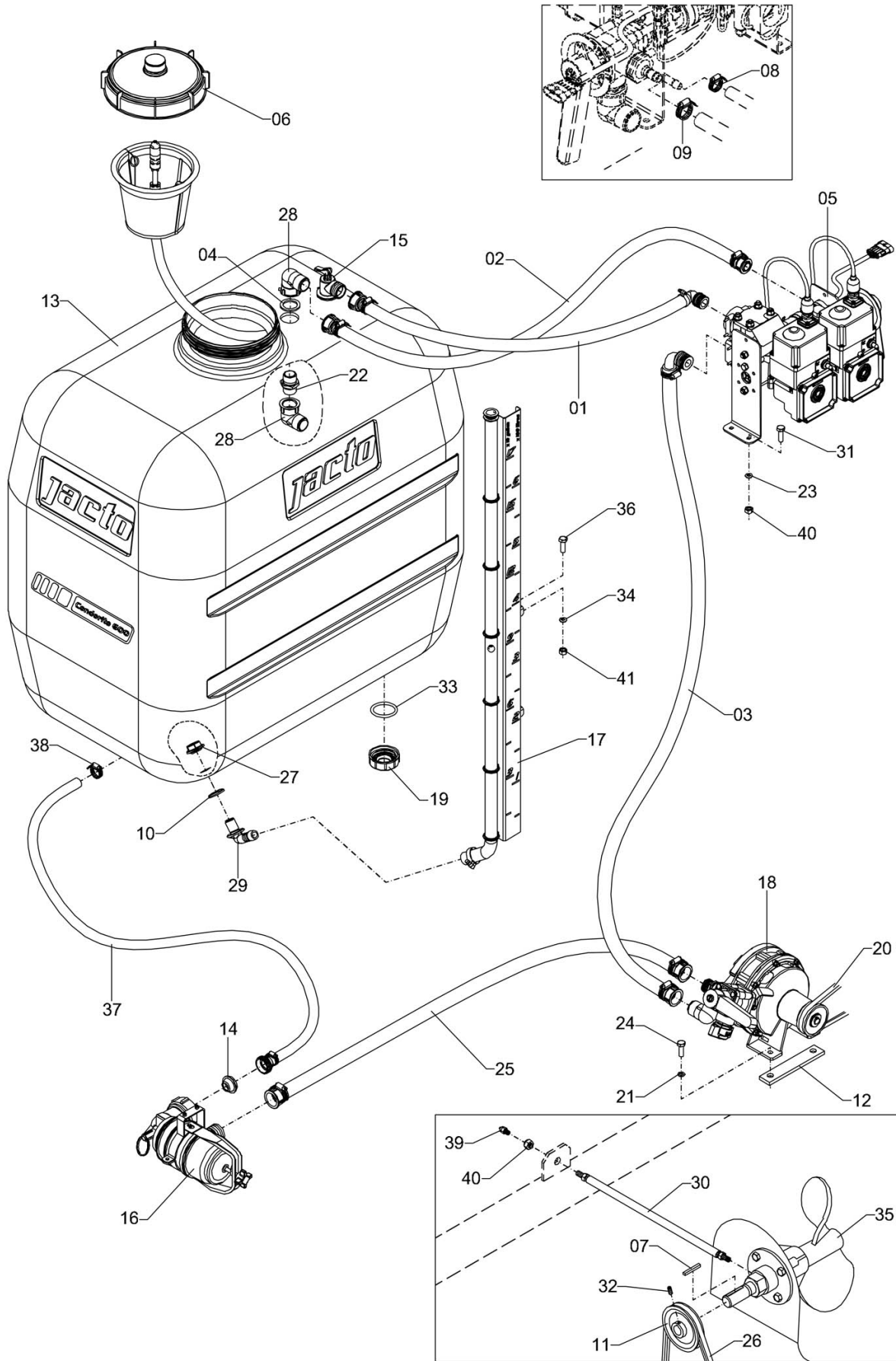
ELECTRICAL CONTROL - MASTERFLOW

Continuation

| Item | CODE | DESCRIPTION | Qty. | Item | CODE | DESCRIPTION | Qty. |
|------|--------|----------------------------------|------|------|------|-------------|------|
| 00 | 321133 | Electrical control - Masterflow | 1 | | | | |
| 01 | 139295 | Stud bolt M 8 x 250 x 1,25 | 2 | | | | |
| 02 | 140160 | Electric Control Valve | 1 | | | | |
| 03 | 166884 | Stud bolt M8 x 149 x 1,25 - inox | 1 | | | | |
| 04 | 322040 | O-ring ORI-011 | 2 | | | | |
| 05 | 448233 | Bolt M8 x 30 x 1,25 | 1 | | | | |
| 06 | 519736 | Lock washer | 6 | | | | |
| 07 | 055764 | Bushing | 2 | | | | |
| 08 | 648170 | O-ring OR1-128 | 4 | | | | |
| 09 | 731521 | O-ring OR1 - 124 | 4 | | | | |
| 10 | 860114 | Spacer | 1 | | | | |
| 11 | 866012 | Left cover | 1 | | | | |
| 12 | 139311 | Control Branch - Assembly | 1 | | | | |
| 13 | 139337 | Quick relief | 1 | | | | |
| 14 | 139360 | Support | 1 | | | | |
| 15 | 139923 | Right cover | 1 | | | | |
| 16 | 221648 | Nut M8 x 1.25 - stainless steel | 5 | | | | |

Controlled copy – Distribution and reproduction prohibited

CHEMICAL CIRCUIT - ELECTRIC



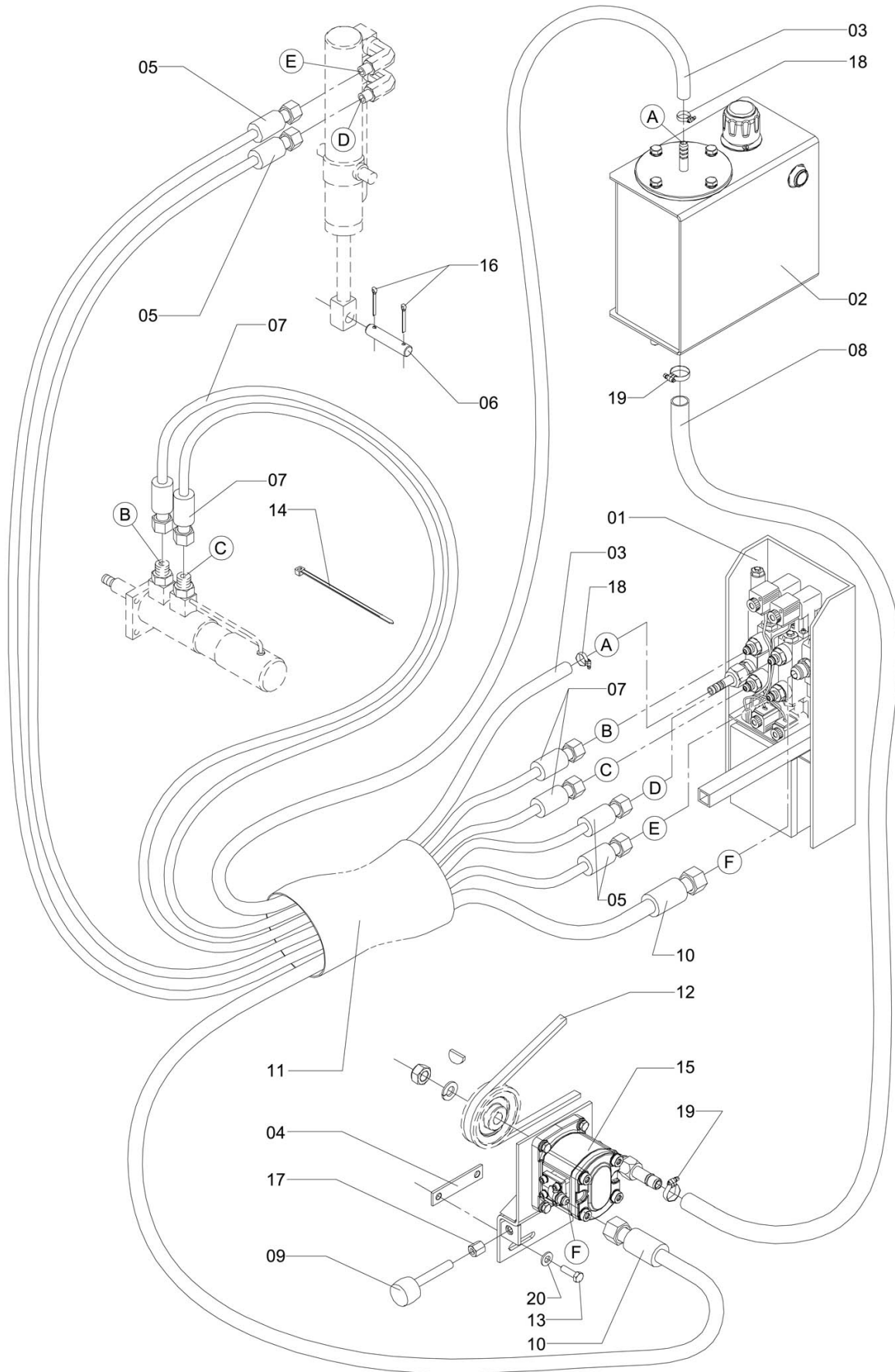
CD-1088

CHEMICAL CIRCUIT - ELECTRIC

Continuation

| Item | CODE | DESCRIPTION | Qty. | Item | CODE | DESCRIPTION | Qty. |
|------|--------|--|------|------|------|-------------|------|
| 00 | 276642 | Chemical circuit - electric | 1 | | | | |
| 01 | 012617 | Hose - Control/Tank | 1 | | | | |
| 02 | 287144 | Return hose - 1" x 700 | 1 | | | | |
| 03 | 012609 | Hose - Pump/Control | 1 | | | | |
| 04 | 212472 | Packing 45 x 33.5 | 1 | | | | |
| 05 | 139378 | Electric control and complements | 1 | | | | |
| 06 | 037374 | Lid with breather | 1 | | | | |
| 07 | 405597 | Square key 4.75 (3/16") x 28 | 1 | | | | |
| 08 | 063370 | Clamp D11-16 - stainless steel | 2 | | | | |
| 09 | 107664 | Clamp D14-22 - stainless steel | 1 | | | | |
| 10 | 973024 | Seal 36 x 21 x 6 | 1 | | | | |
| 11 | 517763 | Pulley 119-1A | 1 | | | | |
| 12 | 520221 | Bolt guide | 1 | | | | |
| 13 | 137174 | 600-liter tank | 1 | | | | |
| 14 | 005934 | Valve seat | 1 | | | | |
| 15 | 060434 | Chemical container rinse nozzle no.4 | 1 | | | | |
| 16 | 613596 | 100-liter suction Filter with Valve | 1 | | | | |
| 17 | 716670 | Level indicator 5 | 1 | | | | |
| 18 | 164871 | Centrifugal pump with 3-way valve | 1 | | | | |
| 19 | 900761 | Drain cap 67 | 1 | | | | |
| 20 | 907592 | Trapezoid belt A-45 | 1 | | | | |
| 21 | 908566 | Lock washer 3/8" | 2 | | | | |
| 22 | 910000 | Nipple 1" BSP | 1 | | | | |
| 23 | 519736 | Lock washer | 4 | | | | |
| 24 | 912709 | Bolt 3/8" - 16 UNC x 1" | 2 | | | | |
| 25 | 168351 | Hose - Filter / Pump | 1 | | | | |
| 26 | 913624 | Trapeze belt A 38 | 1 | | | | |
| 27 | 428748 | Flanged nut 1/2" BSP -14 F.P.P. | 1 | | | | |
| 28 | 902817 | Male/female elbow 1" BSP x 90° | 2 | | | | |
| 29 | 428730 | Elbow 3/4" x 1/2" BSP -14 F.P.P. | 1 | | | | |
| 30 | 050385 | Hose assembly (Agitator 1/4" x 340) | 1 | | | | |
| 31 | 829374 | Hex. head bolt M8 x 20 x 1.25 -cl 8.8 | 4 | | | | |
| 32 | 997205 | Bolt M6 x 10 x 0.8 | 1 | | | | |
| 33 | 096032 | Packing ring 60,8 x 50,2 | 1 | | | | |
| 34 | 521666 | Lock washer 5 - stainless steel | 2 | | | | |
| 35 | 517573 | Mechanical agitator no. 3 | 1 | | | | |
| 36 | 829507 | Hex. head bolt M6 x 1 x 16 CL8.8 | 2 | | | | |
| 37 | 168393 | Hose - Filter/Tank | 1 | | | | |
| 38 | 330969 | Clamp D25-38 - stainless steel | 1 | | | | |
| 39 | 910463 | Grease nipple 1/4" - 28 UNF | 1 | | | | |
| 40 | 810770 | Hex. nut M8 x 1.25 | 4 | | | | |
| 41 | 810689 | Hex. nut M6 x 1 CL8 | 2 | | | | |
| | 169128 | Sticker: "Chemical container rinse nozzle" | 1 | | | | |
| | 323584 | Hose tie | 1 | | | | |

DUCT ACTUATION CIRCUIT



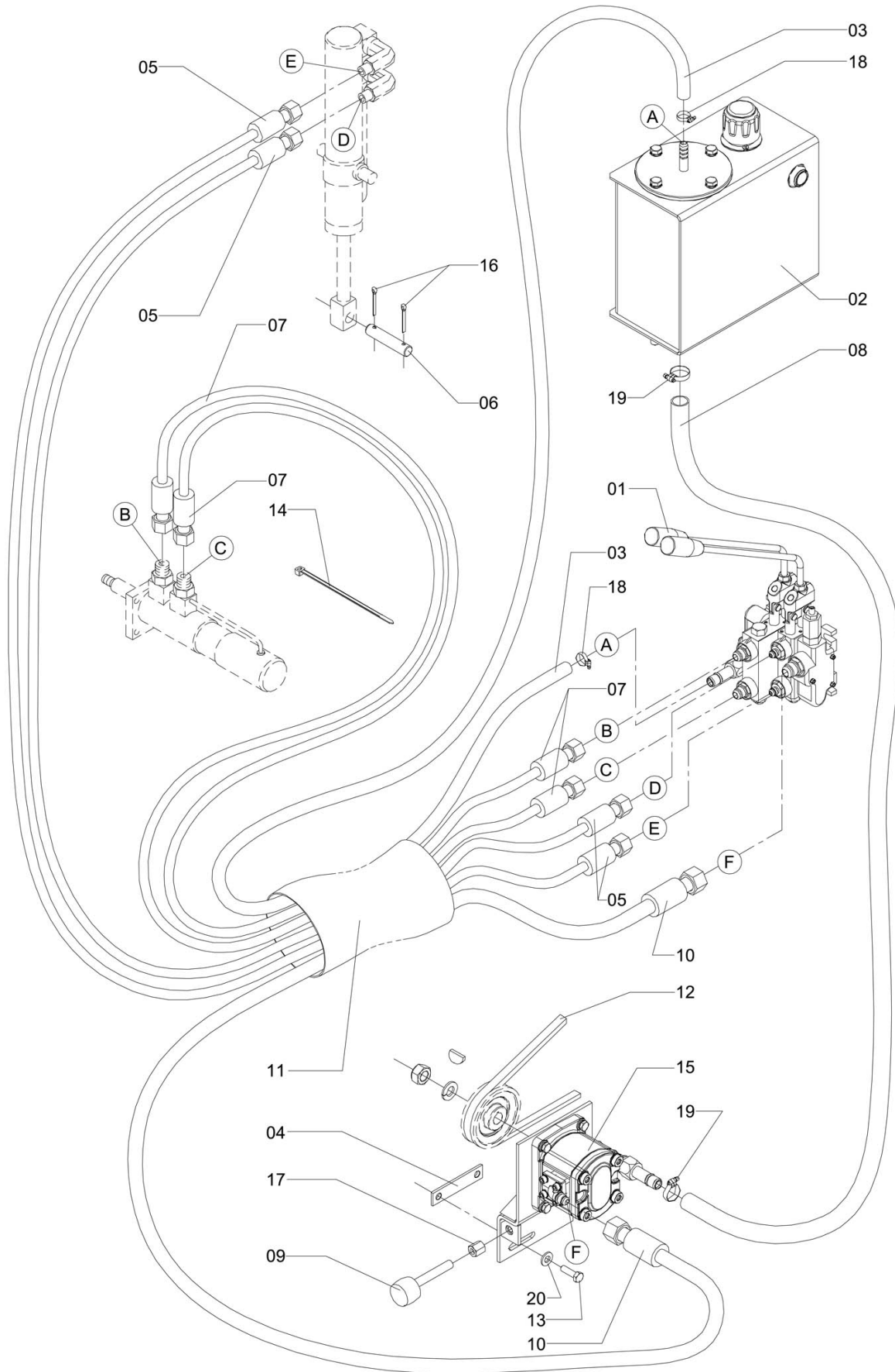
CH-636

DUCT ACTUATION CIRCUIT

Continuation

| Item | CODE | DESCRIPTION | Qty. | Item | CODE | DESCRIPTION | Qty. |
|------|--------|--|------|------|------|-------------|------|
| 00 | 278390 | Duct actuation circuit | 1 | | | | |
| 01 | 045970 | Electrical hydraulic control with nipple | 1 | | | | |
| 02 | 518878 | Hydraulic oil reservoir (4 liters) | 1 | | | | |
| 03 | 519868 | Hose 3/8" x 450 | 1 | | | | |
| 04 | 519918 | Bolt guide | 1 | | | | |
| 05 | 210674 | Hose MHMP 04 - 1/4 x 2660 | 2 | | | | |
| 06 | 520015 | Joint pin | 1 | | | | |
| 07 | 520098 | Hose 1/4" x 1500 | 2 | | | | |
| 08 | 530758 | Hydraulic hose without coupling end - SAE J517 100R6 - 10 1000 | 1 | | | | |
| 09 | 542613 | Tightening screw 3/8" - 16 UNC x 100 | 1 | | | | |
| 10 | 216853 | Hose 5/16" x 1759 | 1 | | | | |
| 11 | 851766 | Flexible hose - 4" x 1000 | 1 | | | | |
| 12 | 878801 | Trapeze belt A-27 | 1 | | | | |
| 13 | 912709 | Bolt 3/8" - 16 UNC x 1" | 2 | | | | |
| 14 | 323584 | Hose tie | 2 | | | | |
| 15 | 999789 | Duct actuation circuit | 1 | | | | |
| 16 | 808451 | Cotter pin 2.38 x 19.05 | 2 | | | | |
| 17 | 327445 | Hex. nut 3/8" - 16 UNC | 1 | | | | |
| 18 | 063370 | Clamp D11-16 - stainless steel | 2 | | | | |
| 19 | 107664 | Clamp D14-22 - stainless steel | 2 | | | | |
| 20 | 422436 | Flat washer 104 x 254 x 19 | 2 | | | | |

DUCT ACTUATION CIRCUIT



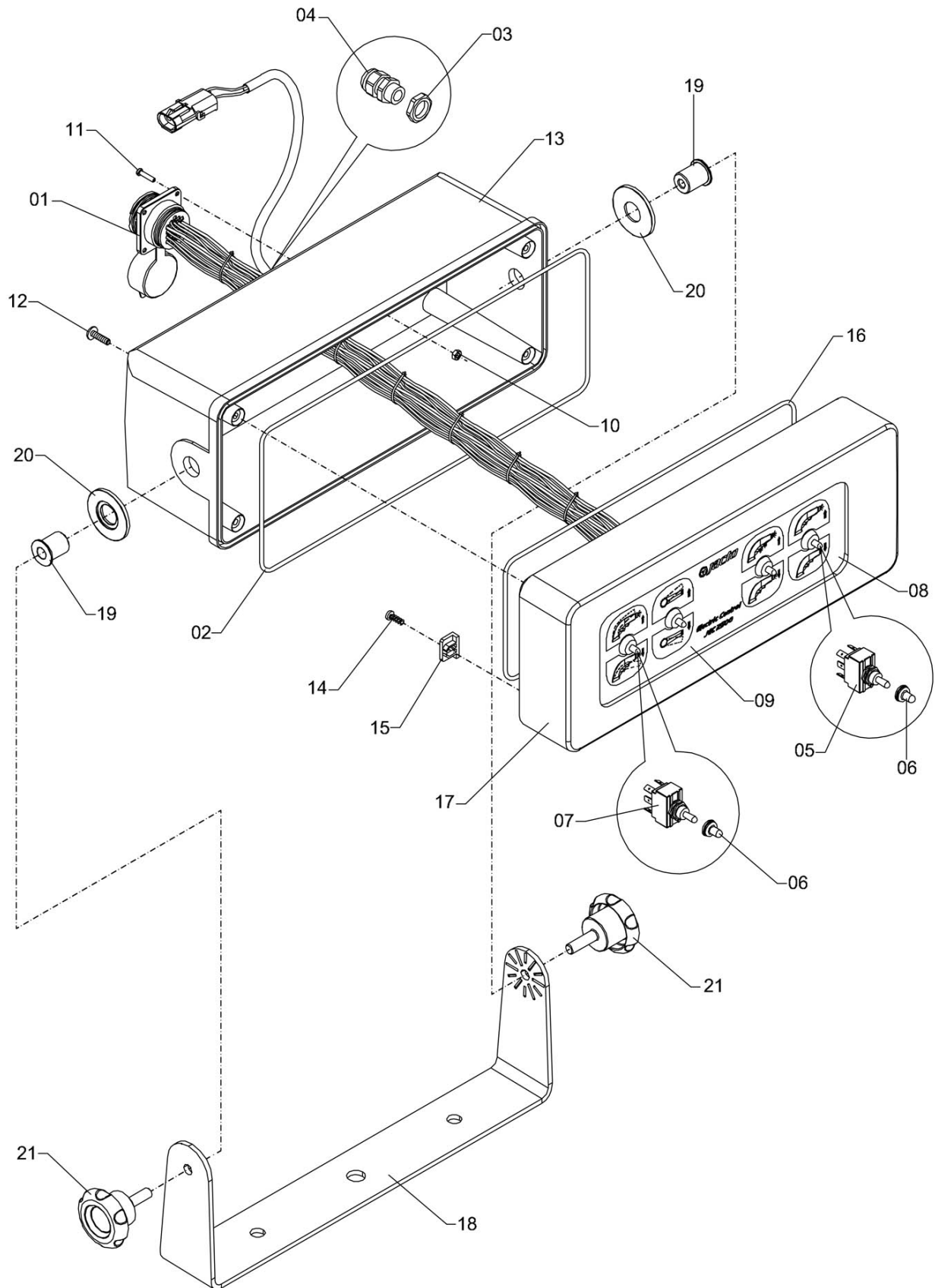
CH-637

DUCT ACTUATION CIRCUIT

Continuation

| Item | CODE | DESCRIPTION | Qty. | Item | CODE | DESCRIPTION | Qty. |
|------|--------|--|------|------|------|-------------|------|
| 00 | 520056 | Duct actuation circuit | 1 | | | | |
| 01 | 045954 | Directional contrl with nipple | 1 | | | | |
| 02 | 518878 | Hydraulic oil reservoir (4 liters) | 1 | | | | |
| 03 | 519868 | Hose 3/8" x 450 | 1 | | | | |
| 04 | 519918 | Bolt guide | 1 | | | | |
| 05 | 210674 | Hose MHMP 04 - 1/4 x 2660 | 2 | | | | |
| 06 | 520015 | Joint pin | 1 | | | | |
| 07 | 520098 | Hose 1/4" x 1500 | 2 | | | | |
| 08 | 530758 | Hydraulic hose without coupling end - SAE J517 100R6 - 10 1000 | 1 | | | | |
| 09 | 542613 | Tightening screw 3/8" - 16 UNC x 100 | 1 | | | | |
| 10 | 216853 | Hose 5/16" x 1759 | 1 | | | | |
| 11 | 520379 | Protective hose 4" x 1050 | 1 | | | | |
| 12 | 878801 | Trapeze belt A-27 | 1 | | | | |
| 13 | 912709 | Bolt 3/8" - 16 UNC x 1" | 2 | | | | |
| 14 | 323584 | Hose tie | 2 | | | | |
| 15 | 999789 | Duct actuation circuit | 1 | | | | |
| 16 | 808451 | Cotter pin 2.38 x 19.05 | 2 | | | | |
| 17 | 327445 | Hex. nut 3/8" - 16 UNC | 1 | | | | |
| 18 | 063370 | Clamp D11-16 - stainless steel | 2 | | | | |
| 19 | 107664 | Clamp D14-22 - stainless steel | 2 | | | | |
| 20 | 422436 | Flat washer 104 x 254 x 19 | 2 | | | | |

JEC-2500 COMPUTER



CE-543

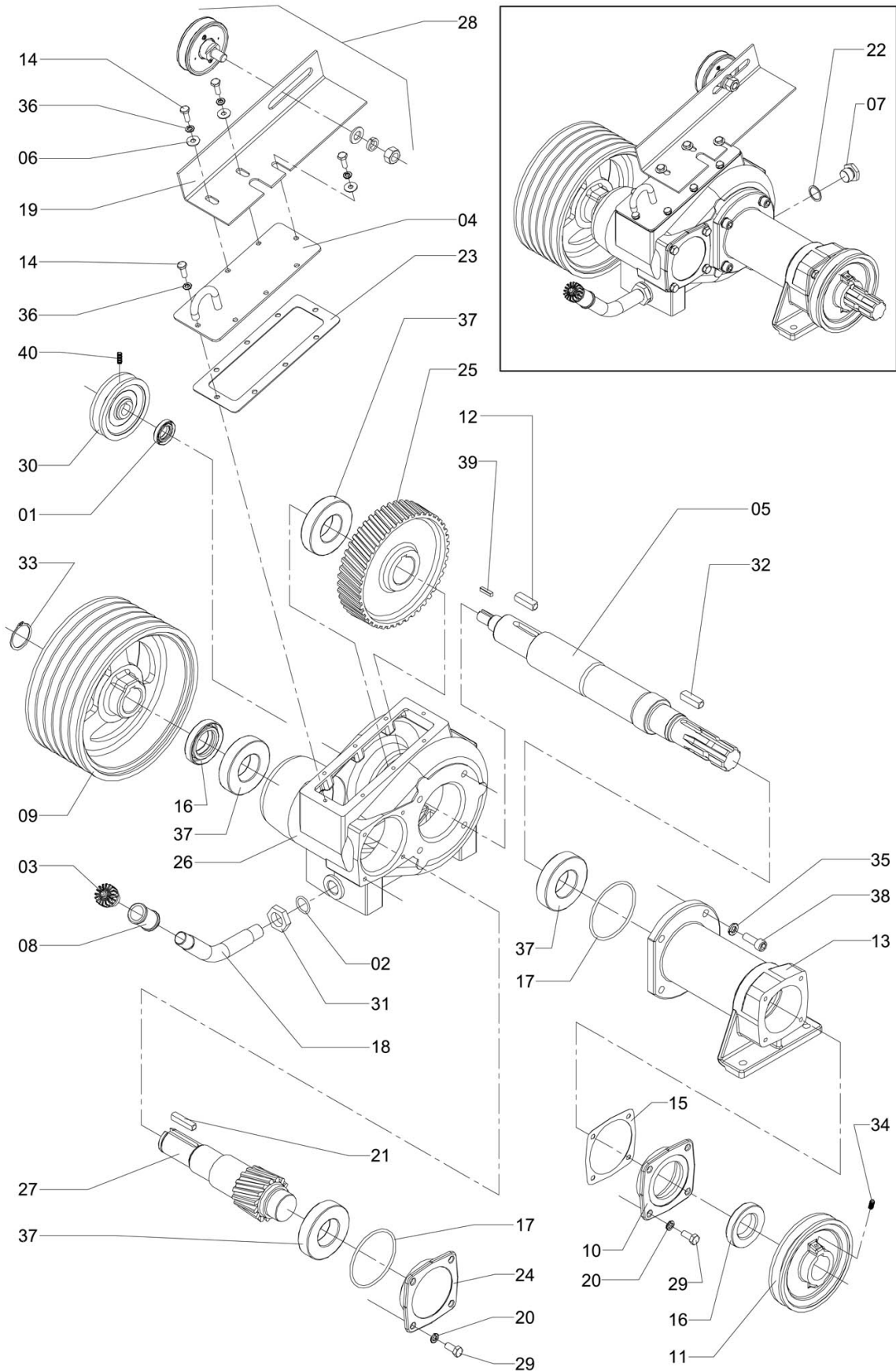
JEC-2500 COMPUTER

Continuation

| Item | CODE | DESCRIPTION | Qty. | Item | CODE | DESCRIPTION | Qty. |
|------|-----------|-----------------------------------|------|------|------|-------------|------|
| 00 | 278515 | JEC-2500 computer | 1 | | | | |
| 01 | 278523 | Main cable | 1 | | | | |
| 03 | 592147 | Plastic nut for cable press PG9 | 1 | | | | |
| 04 | 077008 | Cable press | 1 | | | | |
| 05 | 437178 | Double-throw switch with nut | 2 | | | | |
| 06 | 437194 | Protective cap | 4 | | | | |
| 07 | 557835 | Double throw switch | 2 | | | | |
| 08 | 278481 | Sticker base JEC-2500 | 1 | | | | |
| 09 | 276261 | Decal "Computer Panel - JEC-2500" | 1 | | | | |
| 10 | 209965 | Nut M3 x 0.5 | 4 | | | | |
| 11 | 441907 | Screw M3 x 0.5 x 16 | 4 | | | | |
| 12 | 878769 | Screw 3.5 x 20 | 4 | | | | |
| 13 | 972729 | Lower panel | 1 | | | | |
| 14 | 849331 | Screw PH 3.5 x 12 | 12 | | | | |
| 15 | 878611 | Fastening claw | 12 | | | | |
| 16 | 910002896 | Silicone round tube 4,8 x 0,9 | 1 | | | | |
| 17 | 972711 | Upper panel | 1 | | | | |
| 18 | 091405 | Small U support | 1 | | | | |
| 19 | 972018 | Threaded rubber bushing | 2 | | | | |
| 20 | 973388 | Rubber washer 31 | 2 | | | | |
| 21 | 971994 | Thermoplastic knob | 2 | | | | |

Controlled copy – Distribution and reproduction prohibited

MULTIPLIER ASSEMBLY WITH PULLEYS



CM-12

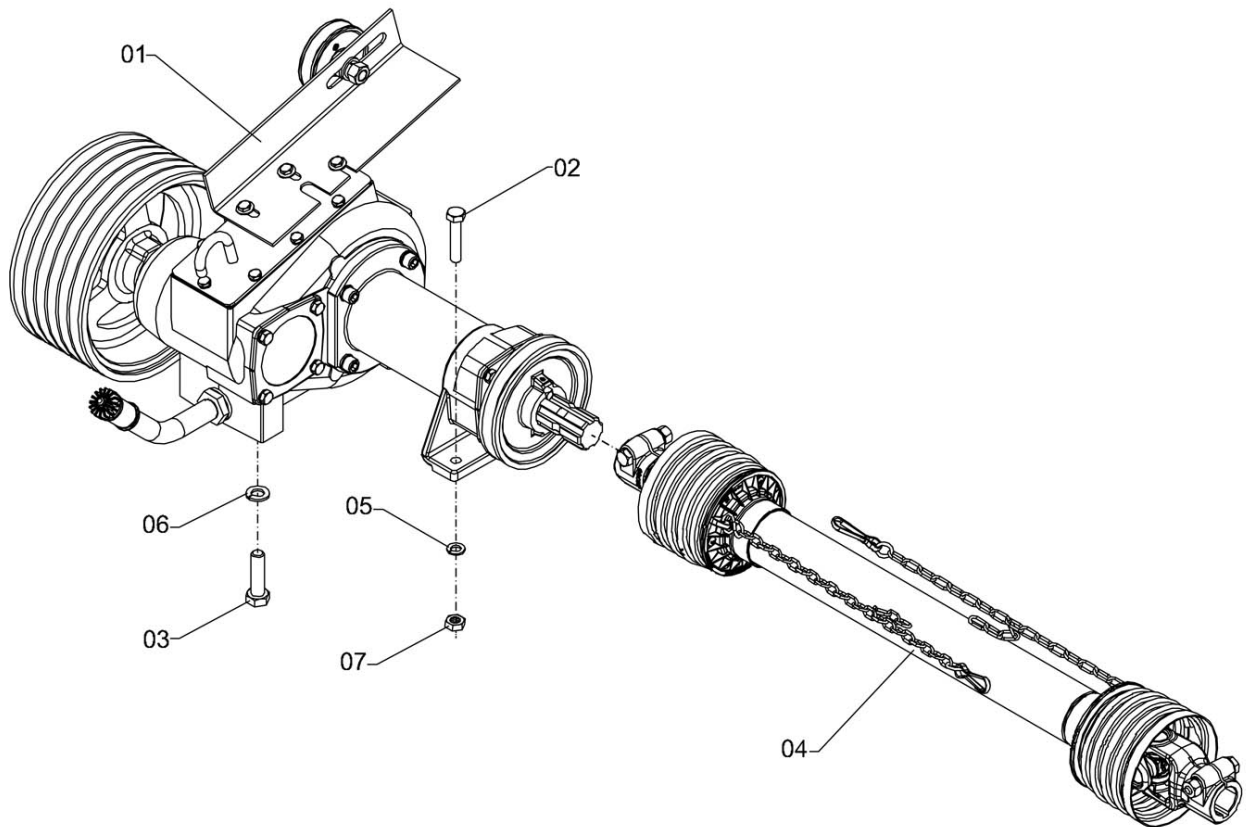
MULTIPLIER ASSEMBLY WITH PULLEYS

Continuation

| Item | CODE | DESCRIPTION | Qty. | Item | CODE | DESCRIPTION | Qty. |
|------|--------|--|------|------|------|-------------|------|
| 00 | 164897 | Multiplier assembly with pulleys | 1 | | | | |
| 01 | 106922 | Retainer 22 x 35.2 x 7 | 1 | | | | |
| 02 | 210146 | O-ring OR1-117 | 1 | | | | |
| 03 | 213736 | Plug 1/2" BSP | 1 | | | | |
| 04 | 213801 | Cover | 1 | | | | |
| 05 | 349050 | Shaft 474 | 1 | | | | |
| 06 | 413468 | Flat washer 6.8 x 18 x 1.2 - stainless steel | 3 | | | | |
| 07 | 430116 | Magnetic plug 1/2" - 14 BSP | 1 | | | | |
| 08 | 430553 | Sleeve 1/2" BSP | 1 | | | | |
| 09 | 430579 | Pulley 225 - 6A | 1 | | | | |
| 10 | 430587 | Cover | 1 | | | | |
| 11 | 430603 | Pulley 135 - 1-A | 1 | | | | |
| 12 | 108936 | Square key 9,53 (3/8") x 35 | 1 | | | | |
| 13 | 430629 | Pillow block | 1 | | | | |
| 14 | 441030 | Bolt 1/4" - 20 UNC x 5/8" | 8 | | | | |
| 15 | 516518 | Packing | 1 | | | | |
| 16 | 516567 | Retainer 40 x 62 x 7 | 2 | | | | |
| 17 | 516575 | O-ring ORI-235 | 2 | | | | |
| 18 | 516849 | Filling tube | 1 | | | | |
| 19 | 516930 | Tightening pulley support | 1 | | | | |
| 20 | 519736 | Lock washer | 8 | | | | |
| 21 | 519793 | Square key - 9.53 (3/8") x 45 | 1 | | | | |
| 22 | 625715 | Flat washer 27 x 22 x 1.5 | 1 | | | | |
| 23 | 114439 | Packing | 1 | | | | |
| 24 | 627737 | Cover | 1 | | | | |
| 25 | 627794 | Drive gear | 1 | | | | |
| 26 | 627828 | Gearbox body | 1 | | | | |
| 27 | 628552 | Driven shaft | 1 | | | | |
| 28 | 645416 | Tightening pulley assembly 78-1A (Shaft 15 x 50,5) | 1 | | | | |
| 29 | 663153 | Hex. bolt 5/16" - 18 UNC x 3/4" | 8 | | | | |
| 30 | 704874 | Pulley 90-1A | 1 | | | | |
| 31 | 715722 | Lock nut 1/2" - 14 BSP | 1 | | | | |
| 32 | 814210 | Square key 3/8" x 25 | 1 | | | | |
| 33 | 203067 | Snap ring for shaft 35 | 1 | | | | |
| 34 | 901363 | Allen bolt 1/4" - 20 UNC x 1/2" | 1 | | | | |
| 35 | 908566 | Lock washer 3/8" | 4 | | | | |
| 36 | 910117 | Lock washer 1/4" | 8 | | | | |
| 37 | 203737 | Fixed bearing | 4 | | | | |
| 38 | 325688 | Allen screw 3/8" UNC x 1" | 4 | | | | |
| 39 | 520213 | Square key | 1 | | | | |
| 40 | 517565 | Allen screw 1/4" - 20 UNC x 5/8" | 1 | | | | |

Controlled copy – Distribution and reproduction prohibited

DRIVE TRANSMISSION AND COMPLEMENTS



TMT-358

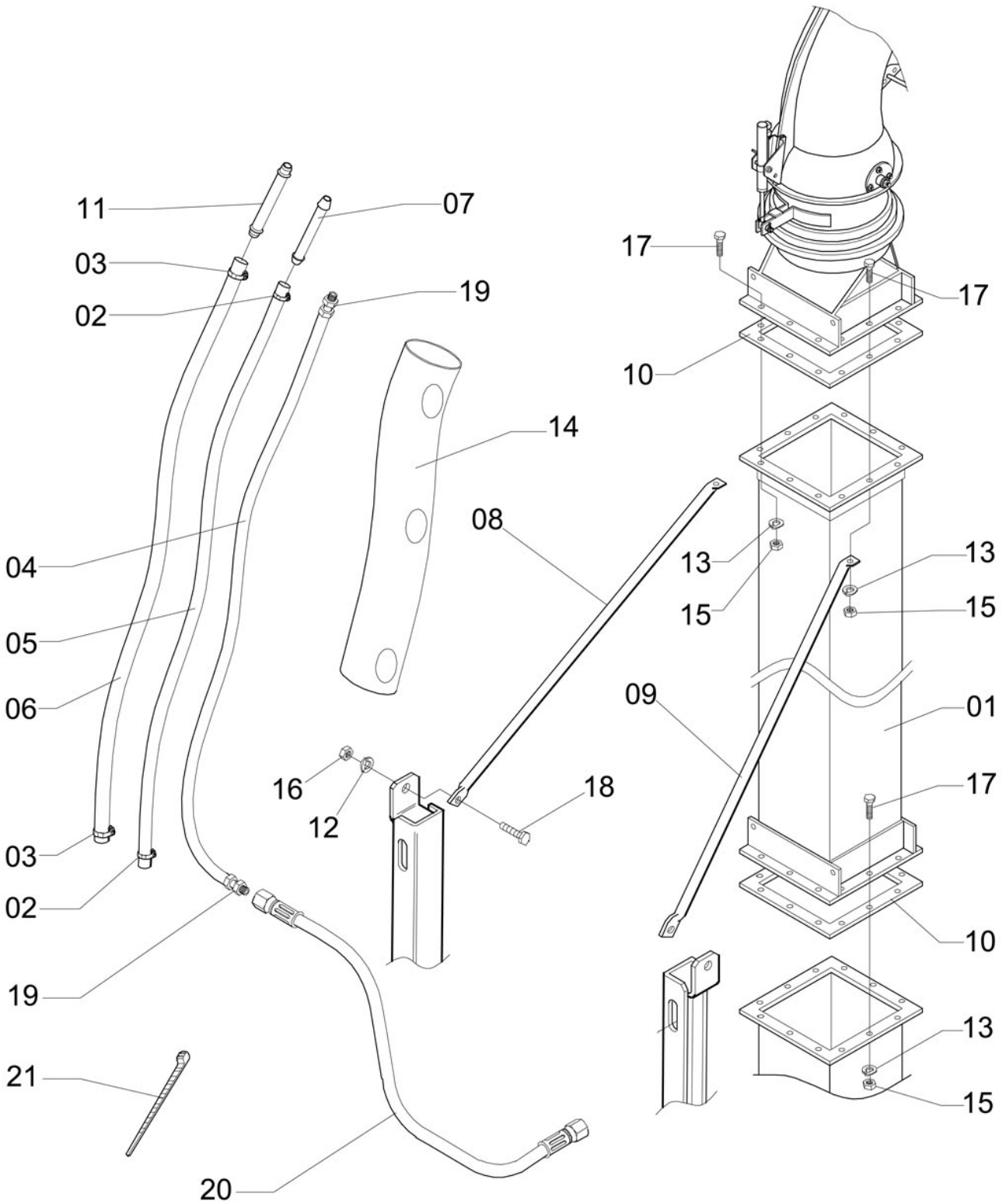
DRIVE TRANSMISSION AND COMPLEMENTS

Continuation

| Item | CODE | DESCRIPTION | Qty. | Item | CODE | DESCRIPTION | Qty. |
|------|--------|------------------------------------|------|------|------|-------------|------|
| 00 | 339267 | Drive transmission and complements | 1 | | | | |
| 01 | 164897 | Multiplier assembly with pulleys | 1 | | | | |
| 02 | 518753 | Bolt 3/8" - 16 UNC x 1.1/4" | 2 | | | | |
| 03 | 621086 | Bolt 1/2" - 13 UNC x 1" | 2 | | | | |
| 05 | 908566 | Lock washer 3/8" | 2 | | | | |
| 06 | 908582 | Lock washer 1/2" | 2 | | | | |
| 07 | 518761 | Hex. nut 3/8" | 2 | | | | |

Controlled copy – Distribution and reproduction prohibited

2000 EXTENSION KIT FOR "JS-600"



KIT-191

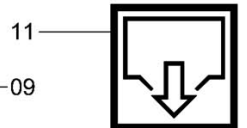
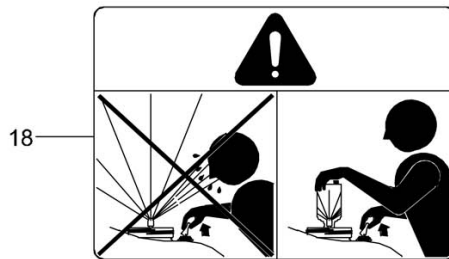
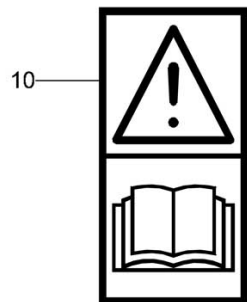
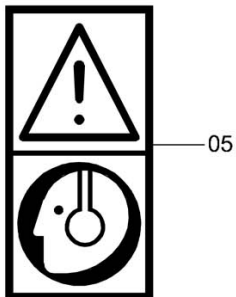
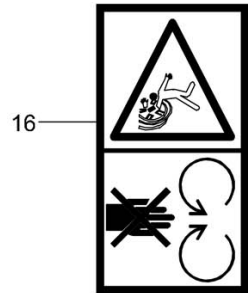
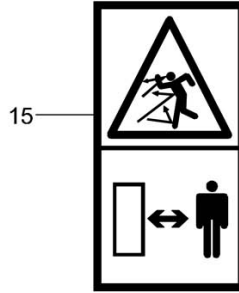
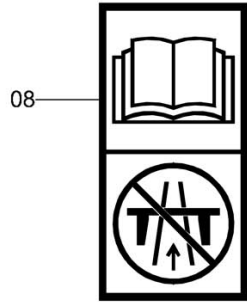
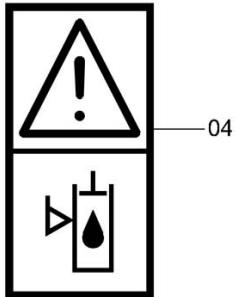
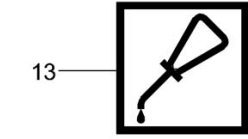
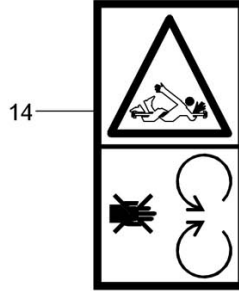
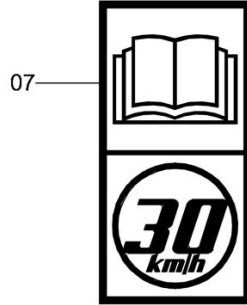
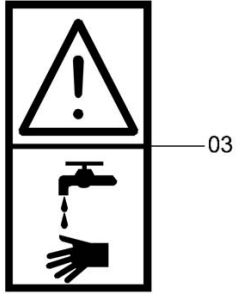
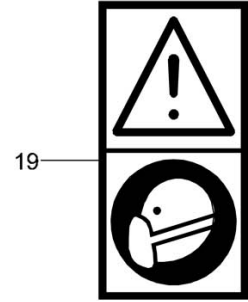
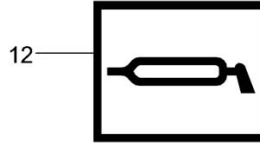
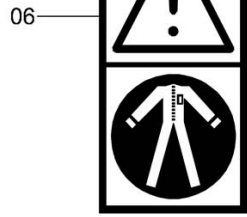
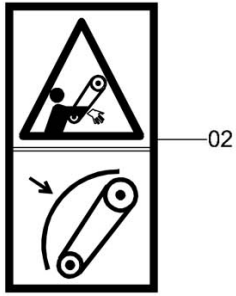
2000 EXTENSION KIT FOR "JS-600"

Continuation

| Item | CODE | DESCRIPTION | Qty. | Item | CODE | DESCRIPTION | Qty. |
|------|--------|--|------|------|------|-------------|------|
| 00 | 440727 | 2000 extension kit for "JS-600" | 1 | | | | |
| 01 | 440552 | Extension 2000 | 1 | | | | |
| 02 | 063370 | Clamp D11-16 - stainless steel | 2 | | | | |
| 03 | 107664 | Clamp D14-22 - stainless steel | 2 | | | | |
| 04 | 440479 | Hose MHMP-04 - 6,35 (1/4") X 2000 | 2 | | | | |
| 05 | 440685 | Hose 9.60 (3/8") x 2000 - PT 80 | 1 | | | | |
| 06 | 440693 | Hose 12.7 (1/2") x 2000 - PT 80 | 1 | | | | |
| 07 | 440719 | Double hose fitting 9.53 (3/8") | 1 | | | | |
| 08 | 441170 | Angle brace 2057 (right) | 1 | | | | |
| 09 | 441188 | Angle brace 2057 (left) | 1 | | | | |
| 10 | 519702 | Packing 32 x 325 x 3.20 | 2 | | | | |
| 11 | 719567 | Double hose fitting 1/2" | 1 | | | | |
| 12 | 209395 | Lock washer M10 | 4 | | | | |
| 13 | 519736 | Lock washer | 12 | | | | |
| 14 | 324723 | Flexible hose - J PVC Cond. Agua 2.1/2" x 3500 | 1 | | | | |
| 15 | 907030 | Hex. nut M10 x 1.25 | 4 | | | | |
| 16 | 810770 | Hex. nut M8 x 1.25 | 12 | | | | |
| 17 | 829382 | Hex head bolt M8 x 25 x 1.25 | 12 | | | | |
| 18 | 936146 | Bolt M10 x 1.25 x 35 CL 8.8 | 4 | | | | |
| 19 | 440701 | Male union 1/2" UNF | 4 | | | | |
| 20 | 210674 | Hose MHMP 04 - 1/4 x 2660 | 2 | | | | |
| 21 | 323584 | Hose tie | 3 | | | | |

Controlled copy – Distribution and reproduction prohibited

STICKERS: (J600)



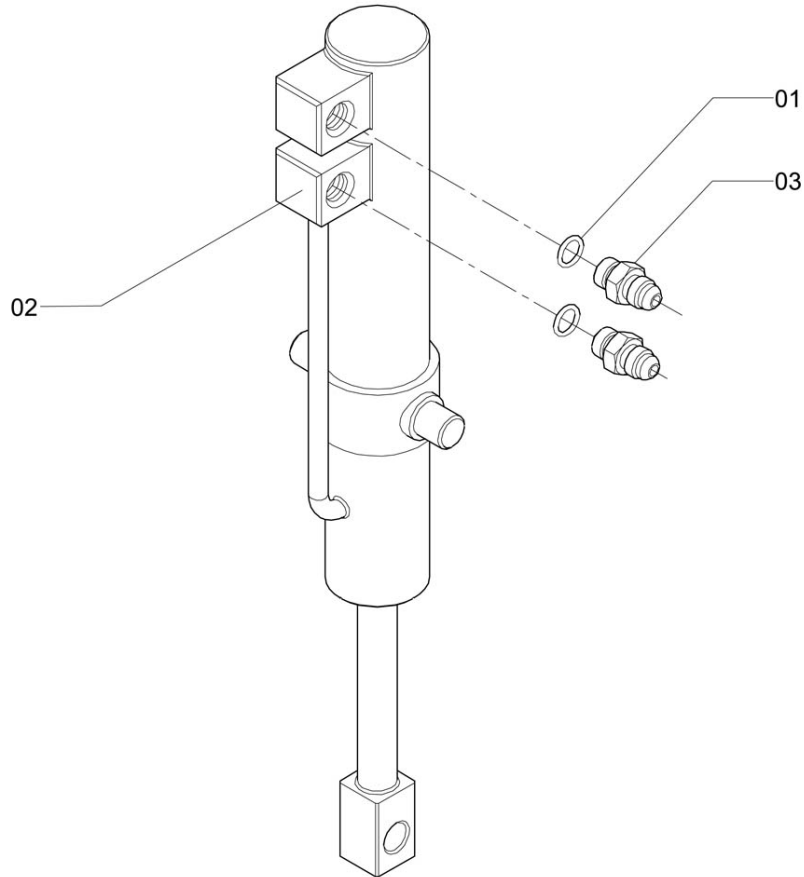
ADS-228

STICKERS: (J600)

Continuation

| Item | CODE | DESCRIPTION | Qty. | Item | CODE | DESCRIPTION | Qty. |
|------|---------|--|------|------|------|-------------|------|
| 00 | 058734 | Stickers: (J600) | 1 | | | | |
| 01 | 1180095 | Sticker - Fan box "Band + Logo" | 1 | | | | |
| 02 | 379065 | Decal "Keep all protection devices in their places." | 1 | | | | |
| 03 | 379073 | Sticker: "Tank - Water for Washing Hands" | 1 | | | | |
| 04 | 379107 | Sticker: "Hydraulic Oil Level" | 1 | | | | |
| 05 | 379123 | Decal "Obligatory use of the hearing protector." | 1 | | | | |
| 06 | 379131 | Decal "Obligatory use of protective clothing." | 1 | | | | |
| 07 | 379214 | Sticker: "Maximum Speed 30 KM/H" | 1 | | | | |
| 08 | 379222 | Decal "Attention: This machined is not allowed in highways." | 1 | | | | |
| 09 | 379230 | Sticker: "Read Manual" Horizontal | 2 | | | | |
| 10 | 379248 | Sticker: "Read Manual" Vertical | 1 | | | | |
| 11 | 389387 | Sticker: "Drain Indication" | 2 | | | | |
| 12 | 276220 | Sticker: "Lubrication Point Indication" | 2 | | | | |
| 13 | 395061 | Sticker: "Lubrication Point Indication - Oil" | 2 | | | | |
| 14 | 379008 | Decal "Danger - PTO Shaft" | 1 | | | | |
| 15 | 379040 | Decal (Attention: Keep away) | 1 | | | | |
| 16 | 379057 | Sticker: "Keep at a Distance - Fan" | 1 | | | | |
| 17 | 983932 | Identification plate | 1 | | | | |
| 18 | 169128 | Sticker: "Chemical container rinse nozzle" | 1 | | | | |
| 19 | 379115 | Decal "Obligatory use of the protective mask." | 1 | | | | |

HYDRAULIC CYLINDER WITH NIPPLE - 160

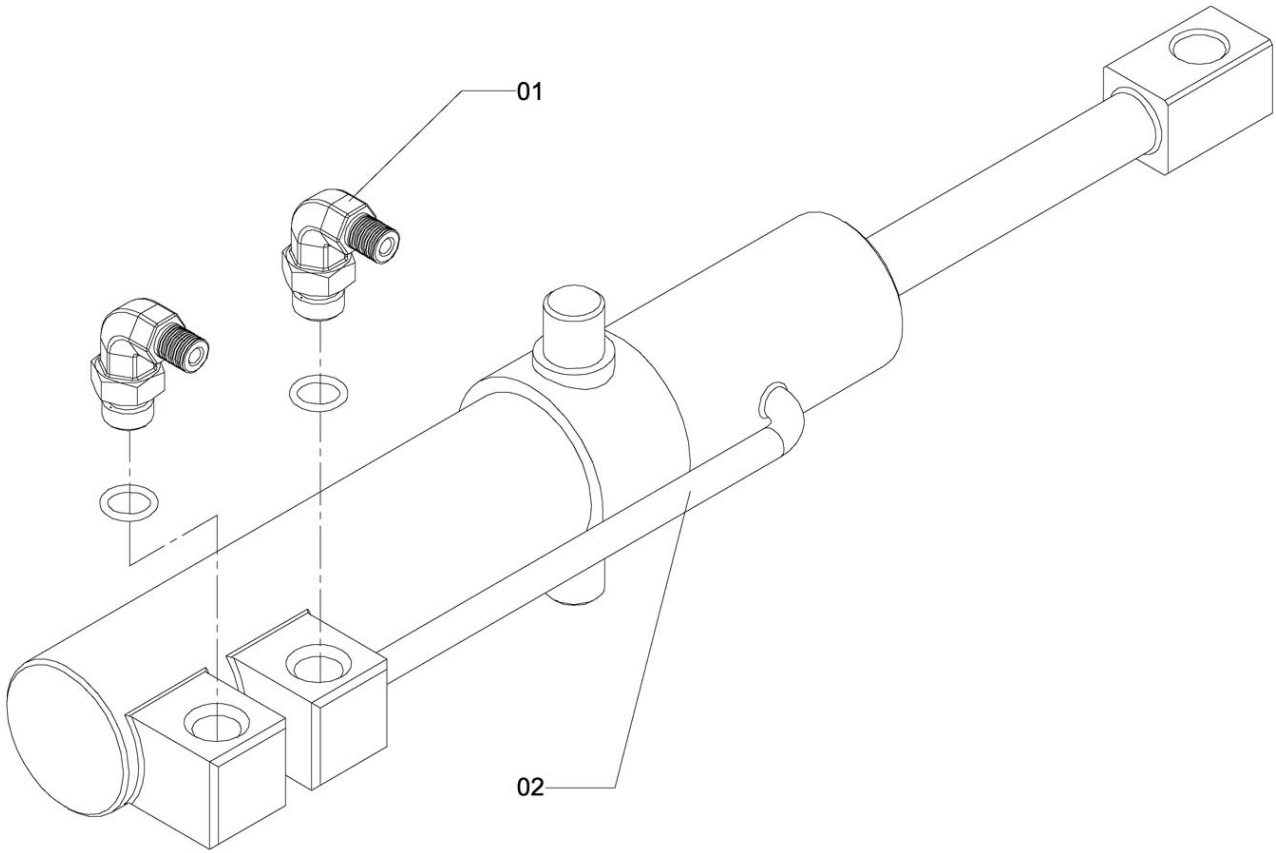


CH-631

| Item | CODE | DESCRIPTION | Qty. | Item | CODE | DESCRIPTION | Qty. |
|------|--------|--------------------------------------|------|------|------|-------------|------|
| 00 | 045939 | Hydraulic cylinder with nipple - 160 | 1 | | | | |
| 01 | 426361 | Packing ring 10.52 x 1.83 OR2-5 | 2 | | | | |
| 02 | 519991 | Hydraulic cylinder 32 x stroke = 160 | 1 | | | | |
| 03 | 340083 | Dosage nipple 1,50 - 37 | 2 | | | | |
| | 130690 | Repair kit for cylinder (Focker) | 1 | | | | |

Controlled copy – Distribution and reproduction prohibited

HYDRAULIC CYLINDER WITH NIPPLE - 160

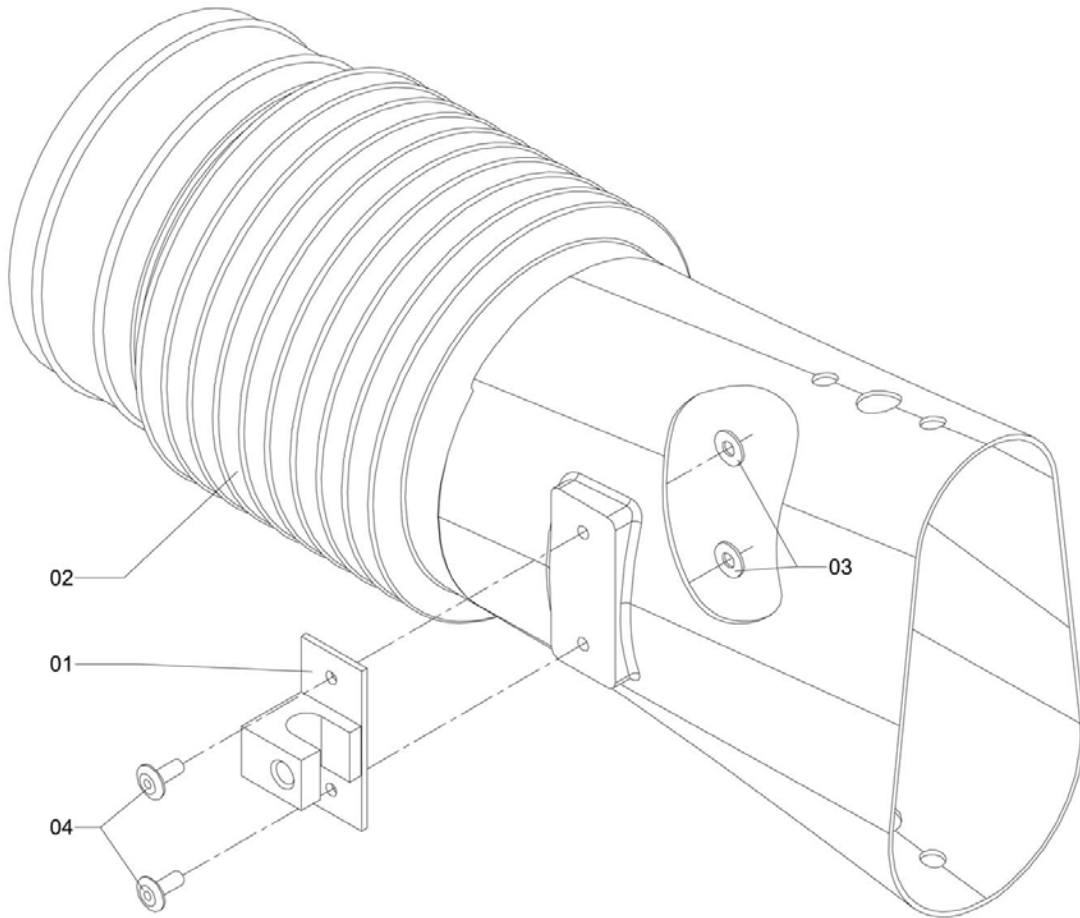


CH-641

| Item | CODE | DESCRIPTION | Qty. | Item | CODE | DESCRIPTION | Qty. |
|------|--------|--------------------------------------|------|------|------|-------------|------|
| 00 | 045947 | Hydraulic cylinder with nipple - 160 | 1 | | | | |
| 01 | 520973 | Male elbow - 90° | 2 | | | | |
| 02 | 519991 | Hydraulic cylinder 32 x stroke = 160 | 1 | | | | |
| | 130690 | Repair kit for cylinder (Focker) | 1 | | | | |

Controlled copy – Distribution and reproduction prohibited

LOWER OUTLET HOSE

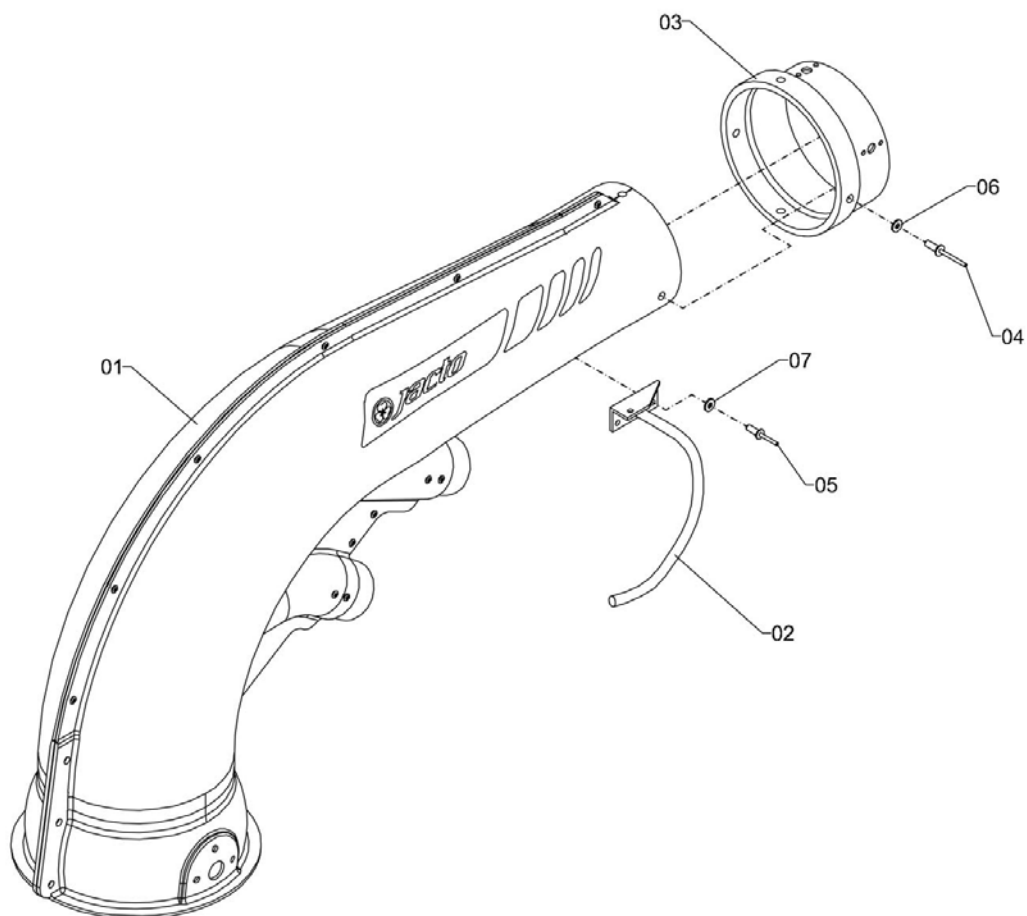


DT-24

| Item | CODE | DESCRIPTION | Qty. | Item | CODE | DESCRIPTION | Qty. |
|------|--------|--|------|------|------|-------------|------|
| 00 | 337972 | Lower outlet hose | 1 | | | | |
| 01 | 332601 | Extension guide | 1 | | | | |
| 02 | 337980 | Outlet hose body | 1 | | | | |
| 03 | 508515 | Flat washer 4,3 x 10,2 x 0,8 - stainless steel | 2 | | | | |
| 04 | 519769 | Rivet Pop - 4.0 x 10.2 | 2 | | | | |

Controlled copy – Distribution and reproduction prohibited

OUTLET DUCT

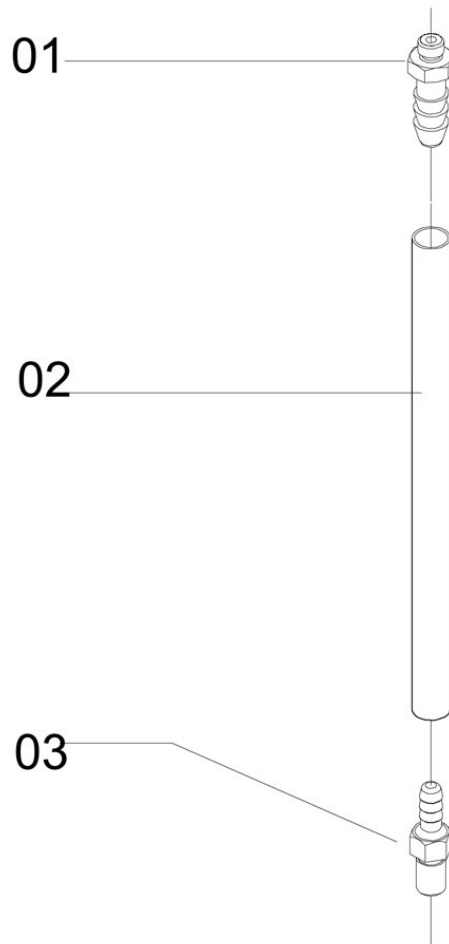


DT-23

| Item | CODE | DESCRIPTION | Qty. | Item | CODE | DESCRIPTION | Qty. |
|------|--------|--|------|------|------|-------------|------|
| 00 | 332429 | Outlet duct | 1 | | | | |
| 01 | 180620 | Outlet duct | 1 | | | | |
| 02 | 332478 | Upper slide | 1 | | | | |
| 03 | 519421 | Upper coupling end (JS-600) PPH | 1 | | | | |
| | | 20%FV-POL. | | | | | |
| 04 | 519785 | Rivbet Pop | 8 | | | | |
| 05 | 215426 | Rivet pop 4,8 x 21,6 | 3 | | | | |
| 06 | 508515 | Flat washer 4,3 x 10,2 x 0,8 - stainless steel | 8 | | | | |
| 07 | 979237 | Flat washer 5,30 x 10,0 x 1,0 | 3 | | | | |

Controlled copy – Distribution and reproduction prohibited

HOSE ASSEMBLY (AGITATOR 1/4" X 340)

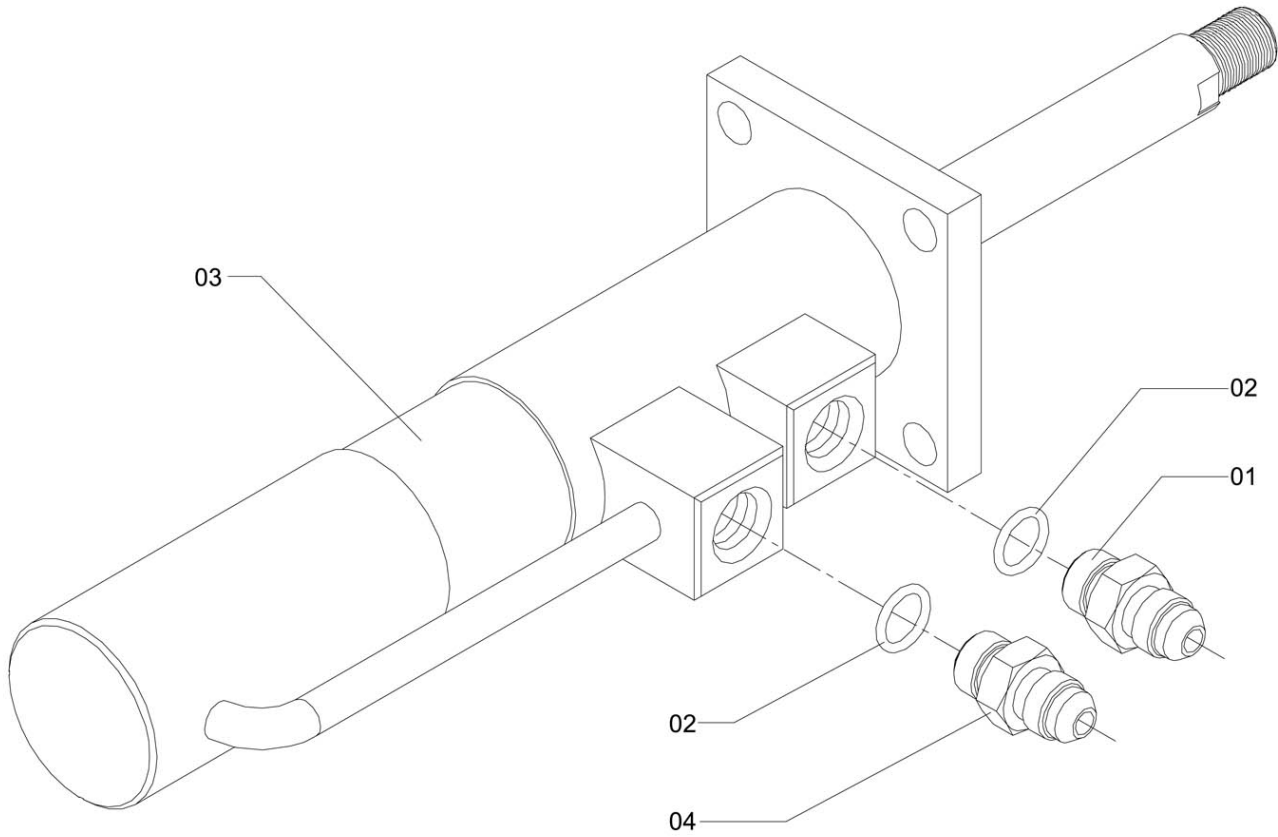


CD-699

| Item | CODE | DESCRIPTION | Qty. |
|------|--------|-------------------------------------|------|
| 00 | 695759 | Hose assembly (Agitator 1/4" x 340) | 1 |
| 01 | 426205 | Male fitting for hose 1/4" | 1 |
| 02 | 625269 | Hose 6.35 - 1/4" x 110 | 1 |
| 03 | 426189 | Fitting | 1 |

| Item | CODE | DESCRIPTION | Qty. |
|------|------|-------------|------|
| | | | |
| | | | |
| | | | |
| | | | |

HYDRAULIC CYLINDER WITH NIPPLES - 32 X 100

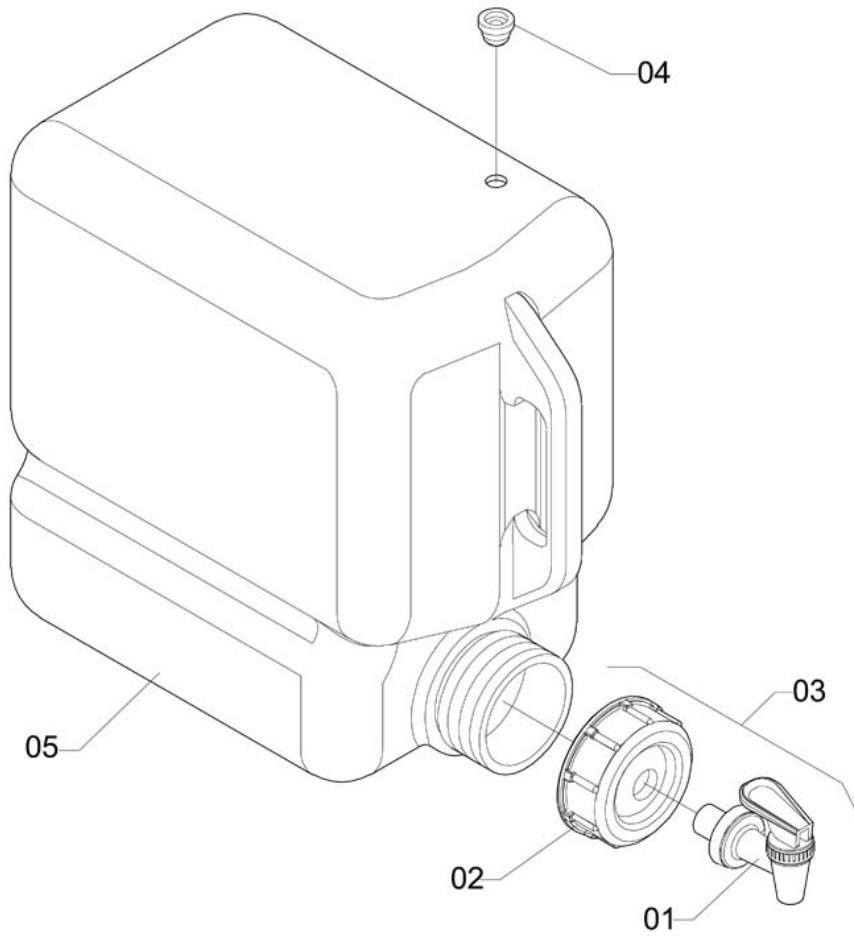


CH-642

| Item | CODE | DESCRIPTION | Qty. | Item | CODE | DESCRIPTION | Qty. |
|------|--------|--|------|------|------|-------------|------|
| 00 | 045913 | Hydraulic cylinder with nipples - 32 x 100 | 1 | | | | |
| 01 | 340083 | Dosage nipple 1,50 - 37 | 1 | | | | |
| 02 | 426361 | Packing ring 10.52 x 1.83 OR2-5 | 2 | | | | |
| 03 | 519967 | Hydraulic cylinder 32 x 100 | 1 | | | | |
| 03A | 130674 | Repair kit | 1 | | | | |
| 04 | 521906 | Dosage nipple 0.50 | 1 | | | | |

Controlled copy – Distribution and reproduction prohibited

15-LITER TANK ASSEMBLY

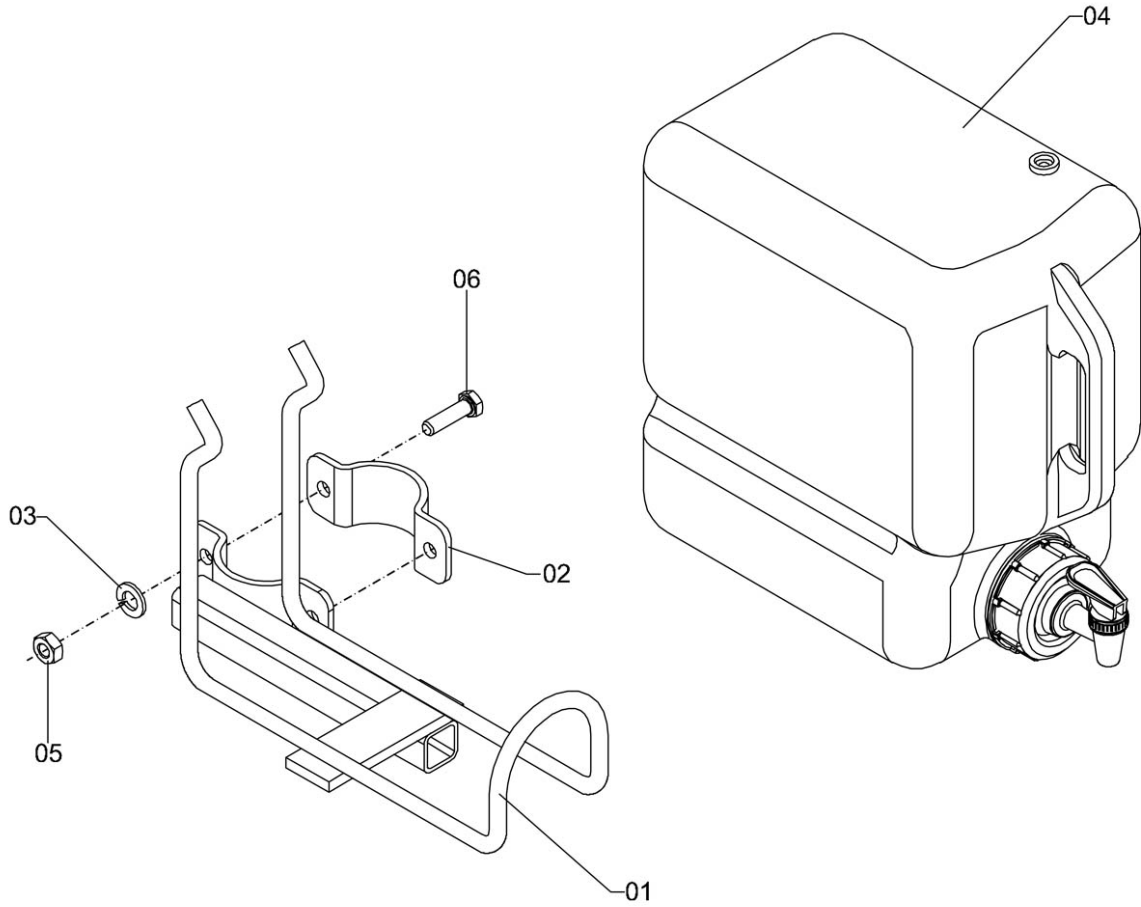


D-114

| Item | CODE | DESCRIPTION | Qty. | Item | CODE | DESCRIPTION | Qty. |
|------|--------|---------------------------|------|------|------|-------------|------|
| 00 | 299768 | 15-liter tank assembly | 1 | | | | |
| 01 | 044180 | Plastic tap 23 x 3/8" BSP | 1 | | | | |
| 02 | 557462 | Cover | 1 | | | | |
| 03 | 619064 | Cover with tap | 1 | | | | |
| 04 | 247270 | Breather | 1 | | | | |
| 05 | 299875 | 15 liter tank | 1 | | | | |

Controlled copy – Distribution and reproduction prohibited

ASSEMBLY: 15-LITER TANK AND SUPPORT

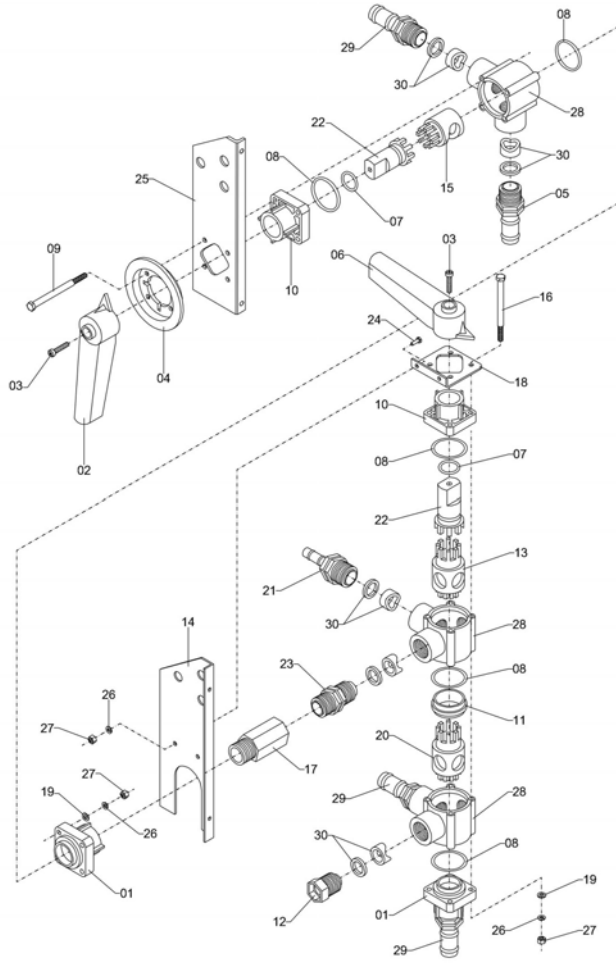


D-78

| Item | CODE | DESCRIPTION | Qty. | Item | CODE | DESCRIPTION | Qty. |
|------|--------|-------------------------------------|------|------|------|-------------|------|
| 00 | 980102 | Assembly: 15-liter tank and support | 1 | | | | |
| 01 | 136846 | 15-liter tank support | 1 | | | | |
| 02 | 206003 | Semiclamp | 1 | | | | |
| 03 | 209395 | Lock washer M10 | 2 | | | | |
| 04 | 299768 | 15-liter tank assembly | 1 | | | | |
| 05 | 907030 | Hex. nut M10 x 1.25 | 2 | | | | |
| 06 | 757559 | Hex. bolt M10 x 30 x 1.25 | 2 | | | | |

Controlled copy – Distribution and reproduction prohibited

FLOW RATE REGULATING VALVE

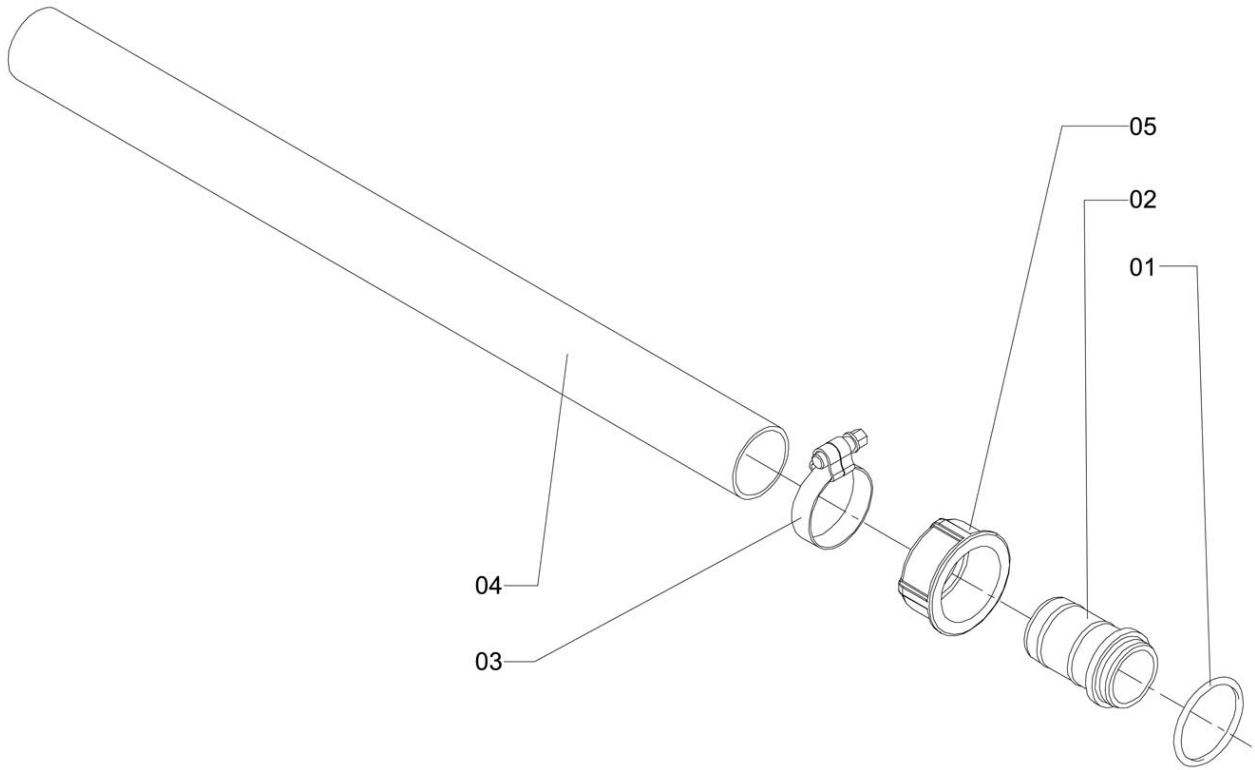


CV-41

| Item | CODE | DESCRIPTION | Qty. | Item | CODE | DESCRIPTION | Qty. |
|------|--------|-----------------------------|------|------|--------|-----------------------|------|
| 00 | 333690 | Flow rate regulating valve | 1 | 30 | 211235 | Seat and packing ring | 6 |
| 01 | 200170 | Valve cover 1" - BSP | 2 | | | | |
| 02 | 200204 | Setting lever | 1 | | | | |
| 03 | 211227 | Screw | 2 | | | | |
| 04 | 212134 | Indicator | 1 | | | | |
| 05 | 212175 | Fitting 1/2" x 1" BSP | 1 | | | | |
| 06 | 212571 | Setting lever | 1 | | | | |
| 07 | 216192 | O-ring OR1-213 | 2 | | | | |
| 08 | 216200 | O-ring ORI-132 | 5 | | | | |
| 09 | 216218 | Bolt 1/4" - 20 UNC x 2.1/2" | 4 | | | | |
| 10 | 322594 | Valve cover | 2 | | | | |
| 11 | 200022 | Valve guide | 2 | | | | |
| 12 | 325019 | Plug 1" BSP | 1 | | | | |
| 13 | 325035 | Core II | 1 | | | | |
| 14 | 333716 | Valve base (right) | 1 | | | | |
| 15 | 333724 | Regulator core | 1 | | | | |
| 16 | 333732 | Bolt 1/4" - 20 UNC x 131 | 4 | | | | |
| 17 | 333757 | Extension | 1 | | | | |
| 18 | 333765 | Support | 1 | | | | |
| 19 | 358267 | Flat washer 64 x 125 x 16 | 8 | | | | |
| 20 | 442616 | Core I | 1 | | | | |
| 21 | 517797 | Fitting 3/8" x 1" BSP | 1 | | | | |
| 22 | 200048 | Valve rod | 2 | | | | |
| 23 | 517847 | Nipple 1 BSP | 1 | | | | |
| 24 | 007229 | Bolt 1/4" x 20 UNC x 3/4" | 2 | | | | |
| 25 | 732230 | Valve base (left) | 1 | | | | |
| 26 | 910117 | Lock washer 1/4" | 4 | | | | |
| 27 | 912741 | Nut 1/4" - 20 UNC | 4 | | | | |
| 28 | 200121 | Core body | 3 | | | | |
| 29 | 404459 | Hose fitting 1" x 1" BSP | 2 | | | | |

Controlled copy – Distribution and reproduction prohibited

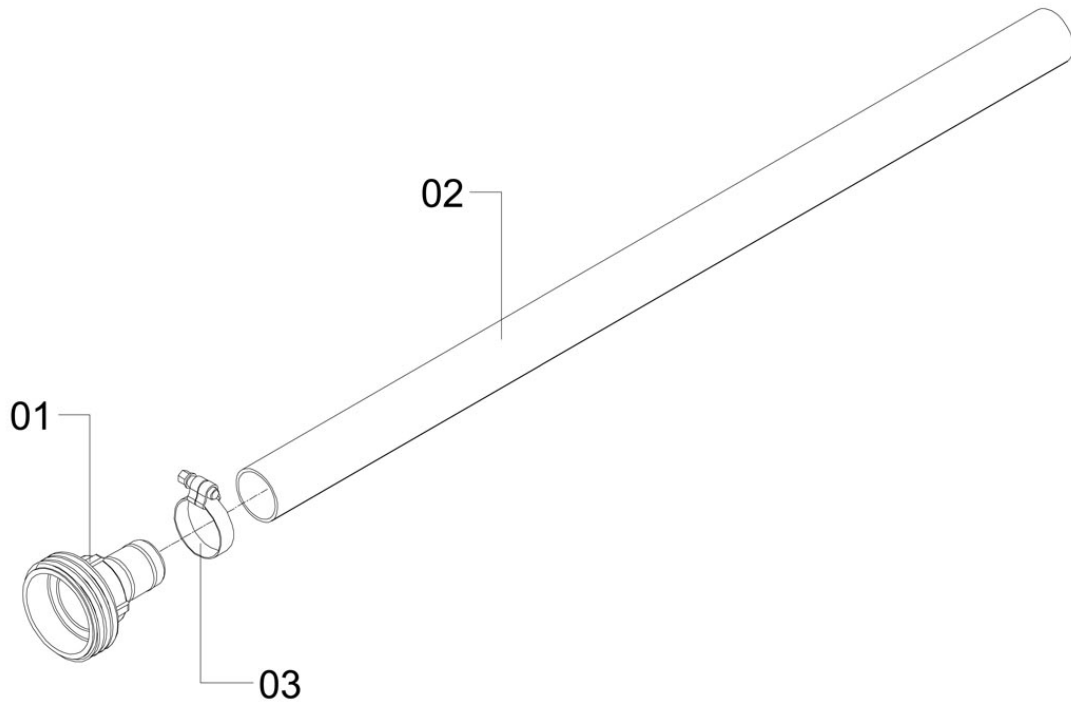
RETURN HOSE - 1" X 1300MM



MD-061

| Item | CODE | DESCRIPTION | Qty. | Item | CODE | DESCRIPTION | Qty. |
|------|--------|----------------------------------|------|------|------|-------------|------|
| 00 | 168377 | Return hose - 1" x 1300mm | 1 | | | | |
| 01 | 402412 | Lock washer 31 x 22.5 x 22.5/3.0 | 1 | | | | |
| 02 | 404434 | Hose fitting | 1 | | | | |
| 03 | 423814 | Clamp D22-32 - stainless steel | 1 | | | | |
| 04 | 903385 | Hose 1" x 1300 | 1 | | | | |
| 05 | 511733 | Round nut 1" BSP (40-45) | 1 | | | | |

HOSE - FILTER/TANK

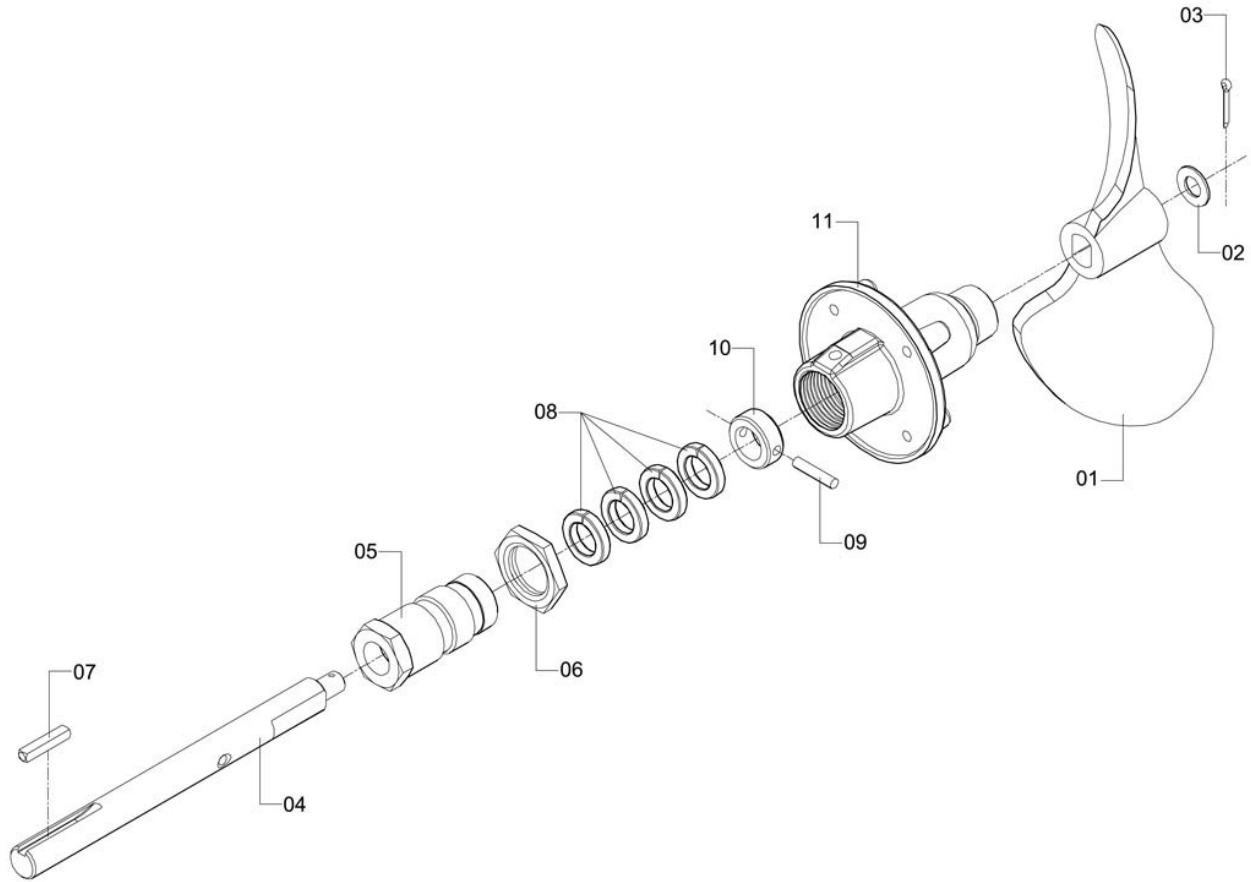


CD-739

| Item | CODE | DESCRIPTION | Qty. | Item | CODE | DESCRIPTION | Qty. |
|------|--------|--------------------------------|------|------|------|-------------|------|
| 00 | 168393 | Hose - Filter/Tank | 1 | | | | |
| 01 | 005926 | Plastic extension 1.1/4" | 1 | | | | |
| 02 | 206748 | Hose 1.1/4" x 470 | 1 | | | | |
| 03 | 330969 | Clamp D25-38 - stainless steel | 1 | | | | |

Controlled copy – Distribution and reproduction prohibited

MECHANICAL AGITATOR N. 8

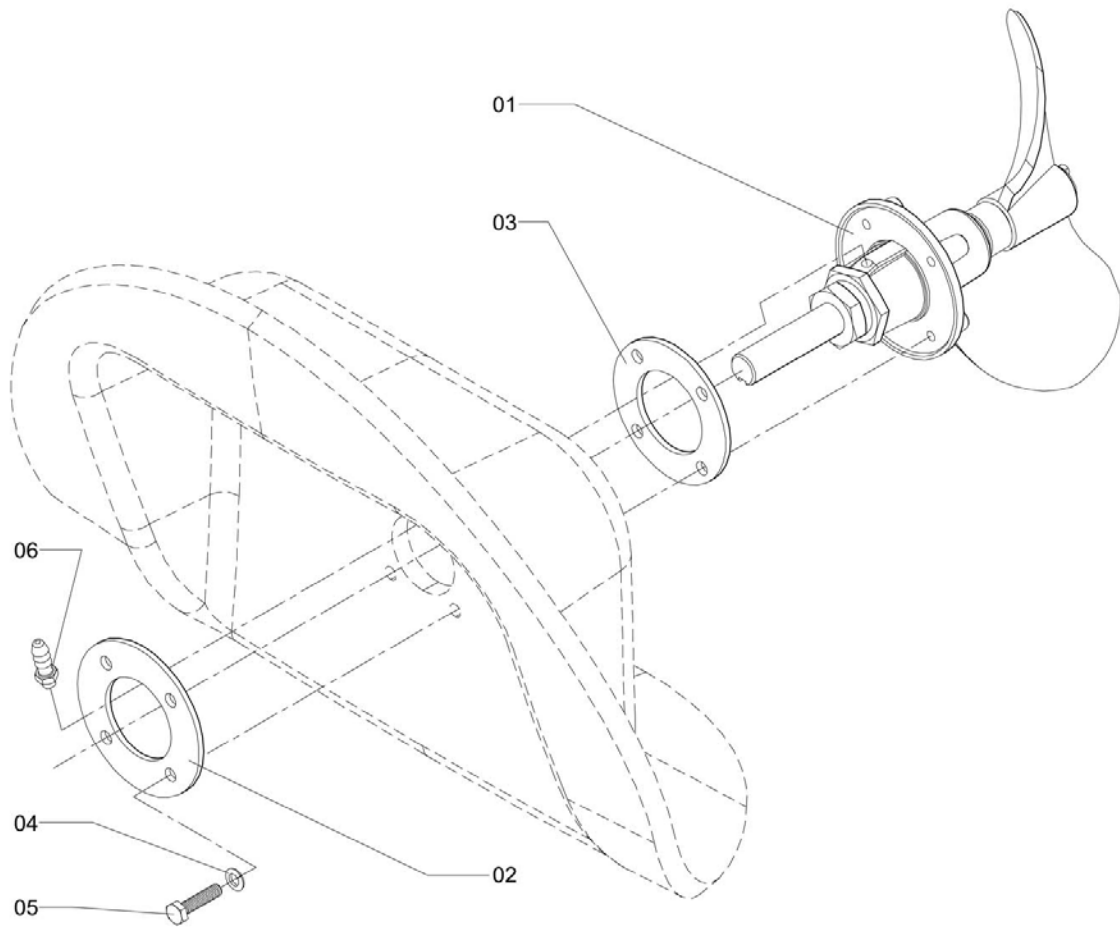


MM-35

| Item | CODE | DESCRIPTION | Qty. | Item | CODE | DESCRIPTION | Qty. |
|------|---------|---|------|------|------|-------------|------|
| 00 | 163352 | Mechanical agitator n. 8 | 1 | | | | |
| 01 | 517581 | Propeller | 1 | | | | |
| 02 | 973313 | Flat washer 10.5 x 21 x 2 - stainless steel | 1 | | | | |
| 03 | 1148305 | Counterpin 2.5 x 16 DIN 94 (stainless) | 1 | | | | |
| 04 | 517607 | Shaft | 1 | | | | |
| 05 | 517623 | Gasket tightener | 1 | | | | |
| 06 | 744771 | Hex. nut M28 x 2.00 | 1 | | | | |
| 07 | 405597 | Square key 4.75 (3/16") x 28 | 1 | | | | |
| 08 | 517672 | Gasket 3/16" x 70 | 4 | | | | |
| 09 | 517680 | Pin 3/16" x 24 | 1 | | | | |
| 10 | 517698 | Seat bushing 1" x 10 | 1 | | | | |
| 11 | 517664 | Agitator body (machined part) | 1 | | | | |

Controlled copy – Distribution and reproduction prohibited

MECHANICAL AGITATOR NO. 3

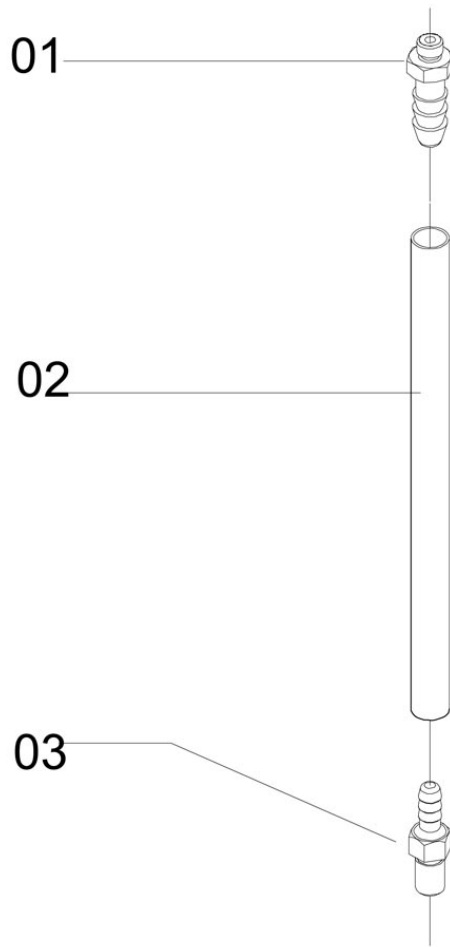


MM-39

| Item | CODE | DESCRIPTION | Qty. | Item | CODE | DESCRIPTION | Qty. |
|------|--------|---------------------------------|------|------|------|-------------|------|
| 00 | 517573 | Mechanical agitator no. 3 | 1 | | | | |
| 01 | 163352 | Mechanical agitator n. 8 | 1 | | | | |
| 02 | 517631 | Flange 80 | 1 | | | | |
| 03 | 517649 | Rubber seal 74 | 1 | | | | |
| 04 | 521666 | Lock washer 5 - stainless steel | 4 | | | | |
| 05 | 810697 | Bolt M6 x 1 x 20 CL8.8 | 4 | | | | |
| 06 | 426205 | Male fitting for hose 1/4" | 1 | | | | |

Controlled copy – Distribution and reproduction prohibited

HOSE ASSEMBLY (AGITATOR 1/4" X 340)

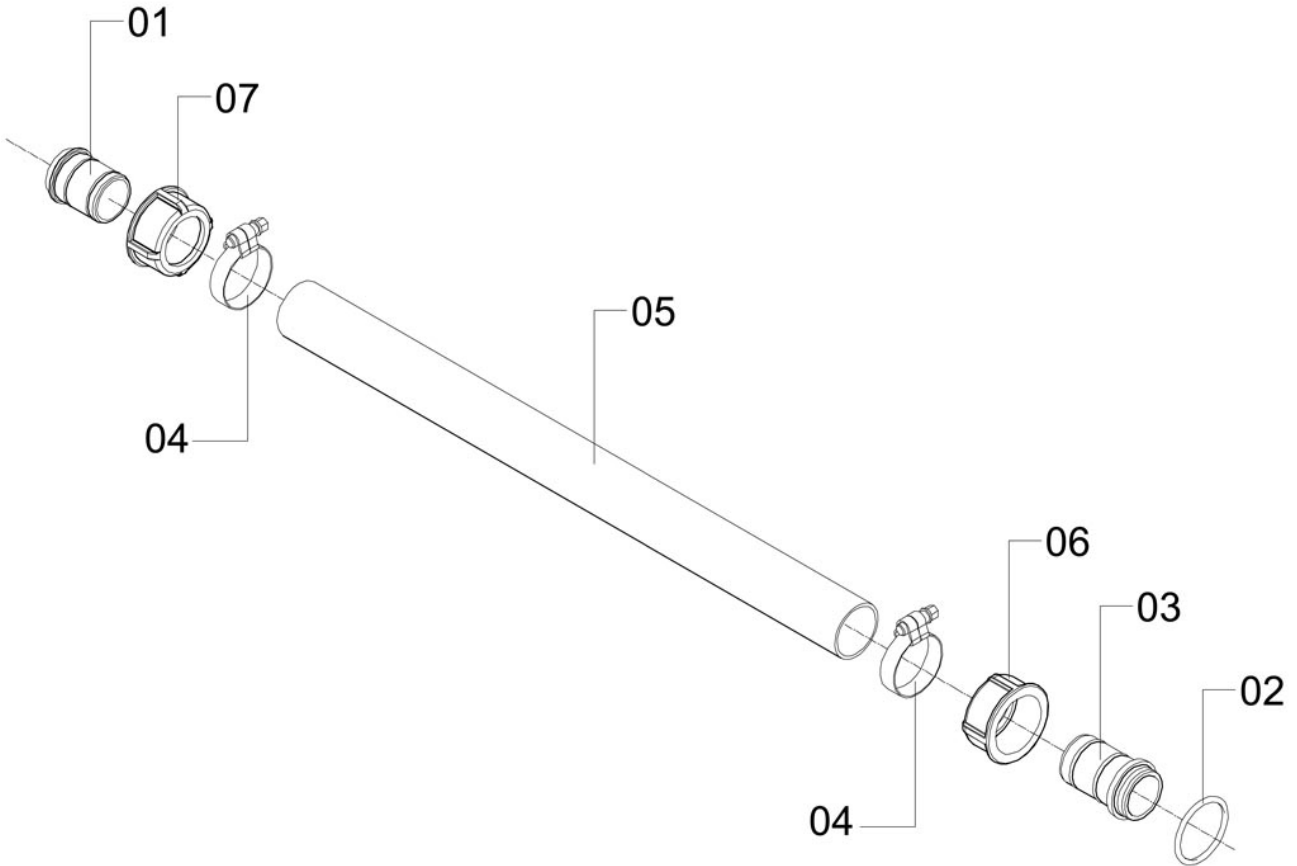


CD-699

| Item | CODE | DESCRIPTION | Qty. |
|------|--------|-------------------------------------|------|
| 00 | 050385 | Hose assembly (Agitator 1/4" x 340) | 1 |
| 01 | 426205 | Male fitting for hose 1/4" | 1 |
| 02 | 517920 | Hose 1/4" x 340 | 1 |
| 03 | 426189 | Fitting | 1 |

| Item | CODE | DESCRIPTION | Qty. |
|------|------|-------------|------|
| | | | |
| | | | |
| | | | |
| | | | |

HOSE - FILTER / PUMP

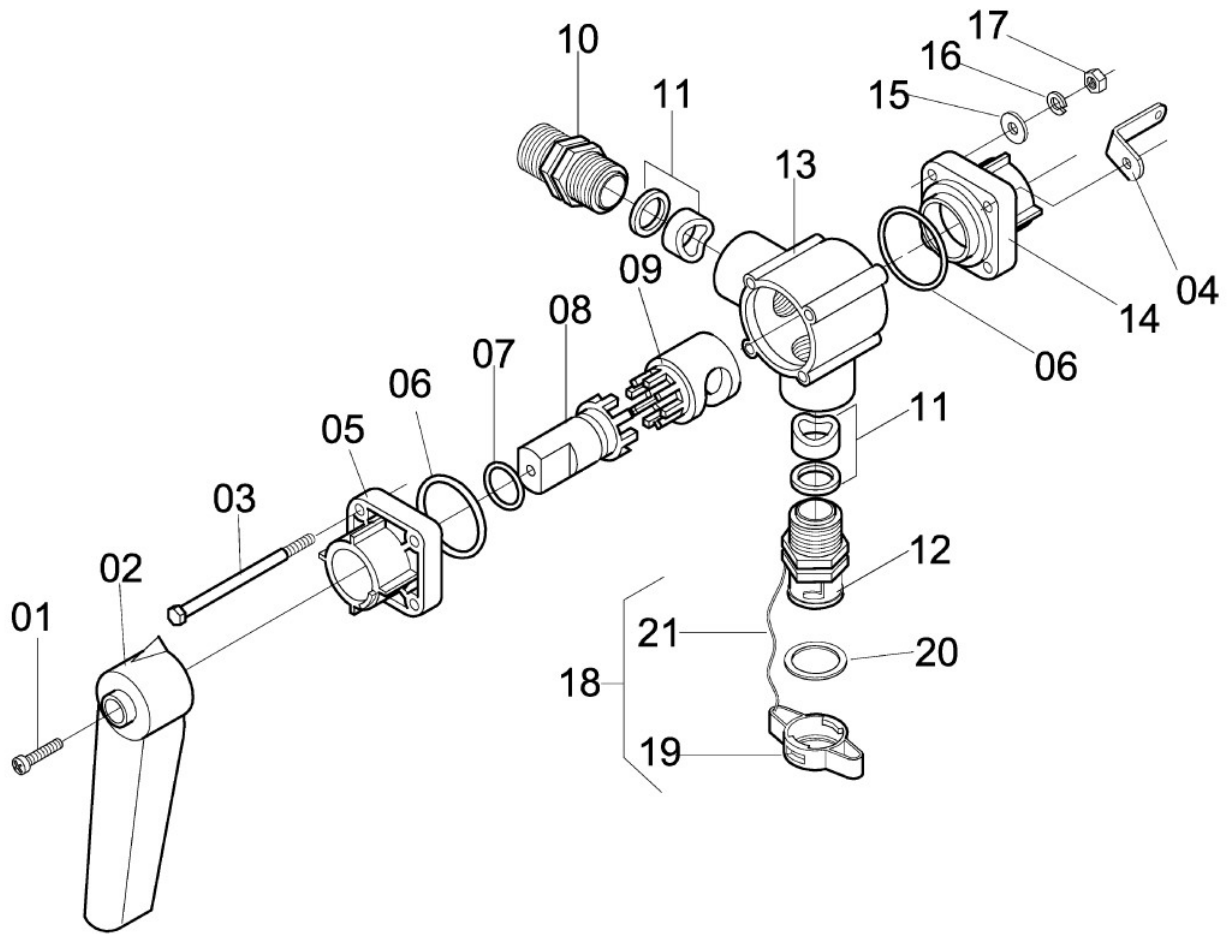


CD-772

| Item | CODE | DESCRIPTION | Qty. | Item | CODE | DESCRIPTION | Qty. |
|------|--------|----------------------------------|------|------|------|-------------|------|
| 00 | 168351 | Hose - Filter / Pump | 1 | | | | |
| 01 | 905497 | Hose 1" x 750 | 1 | | | | |
| 02 | 208777 | Hose fitting 1" x 33 | 1 | | | | |
| 03 | 402412 | Lock washer 31 x 22.5 x 22.5/3.0 | 1 | | | | |
| 04 | 404434 | Hose fitting | 1 | | | | |
| 05 | 423814 | Clamp D22-32 - stainless steel | 2 | | | | |
| 06 | 511733 | Round nut 1" BSP (40-45) | 1 | | | | |
| 07 | 005884 | Nut 1.1/4" BSP | 1 | | | | |

Controlled copy – Distribution and reproduction prohibited

3-WAY REGULATING VALVE

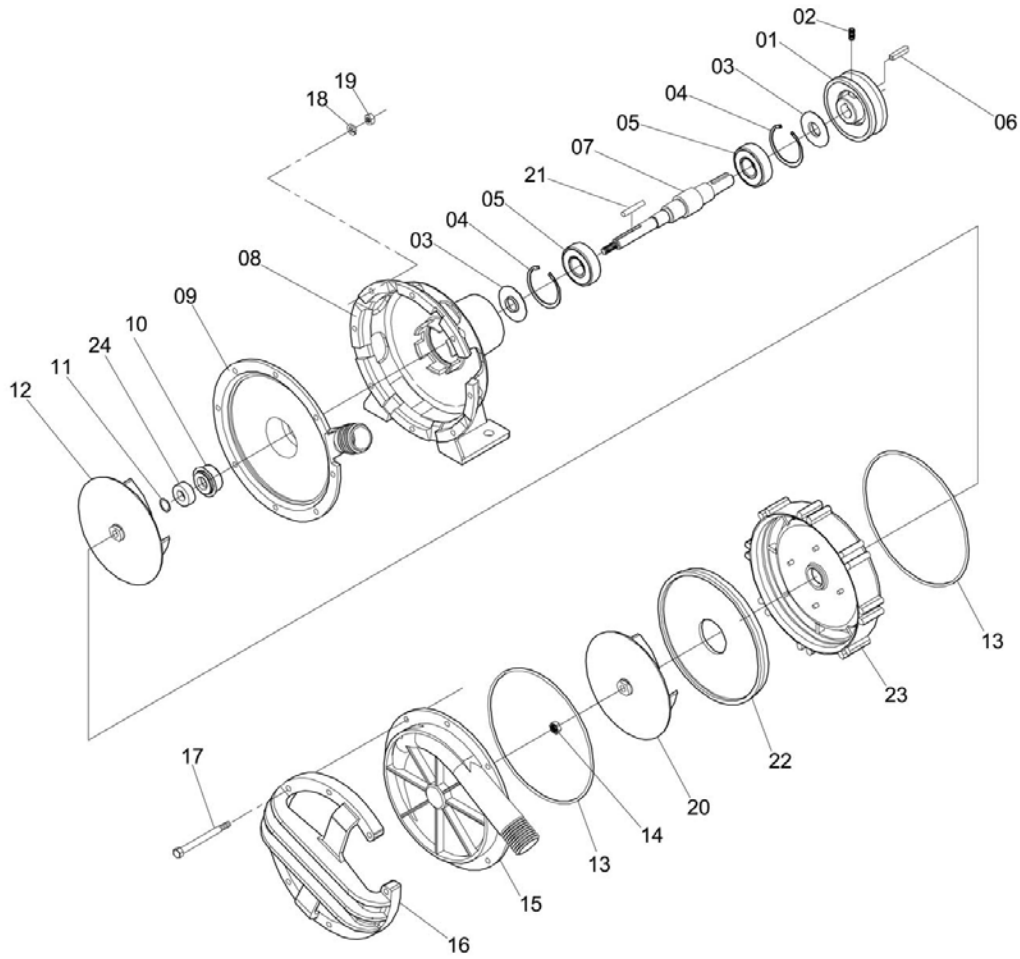


CV-25

| Item | CODE | DESCRIPTION | Qty. | Item | CODE | DESCRIPTION | Qty. |
|------|--------|--|------|------|------|-------------|------|
| 00 | 517821 | 3-way regulating valve | 1 | | | | |
| 01 | 912642 | Screw 1/4" UNC x 5/8" | 1 | | | | |
| 02 | 212571 | Setting lever | 1 | | | | |
| 03 | 216218 | Bolt 1/4" - 20 UNC x 2.1/2" | 4 | | | | |
| 04 | 517839 | Bracket | 1 | | | | |
| 05 | 322594 | Valve cover | 1 | | | | |
| 06 | 216200 | O-ring ORI-132 | 2 | | | | |
| 07 | 216192 | O-ring OR1-213 | 1 | | | | |
| 08 | 200048 | Valve rod | 1 | | | | |
| 09 | 200014 | Regulator core | 1 | | | | |
| 10 | 517847 | Nipple 1 BSP | 1 | | | | |
| 11 | 211235 | Seat and packing ring | 2 | | | | |
| 12 | 206177 | Coupling body 1" | 1 | | | | |
| 13 | 200121 | Core body | 1 | | | | |
| 14 | 200170 | Valve cover 1" - BSP | 1 | | | | |
| 15 | 413468 | Flat washer 6.8 x 18 x 1.2 - stainless steel | 4 | | | | |
| 16 | 910117 | Lock washer 1/4" | 4 | | | | |
| 17 | 912741 | Nut 1/4" - 20 UNC | 4 | | | | |
| 18 | 614289 | Plug with nylon yarn | 1 | | | | |
| 19 | 614297 | Plug | 1 | | | | |
| 20 | 206185 | Packing ring 32.8 x 6.00 | 1 | | | | |
| 21 | 228916 | Nylon yarn 1.00 x 220 | 1 | | | | |

Controlled copy – Distribution and reproduction prohibited

CENTRIFUGAL PUMP BC-1143 (DUAL STAGE - SERIES 4)

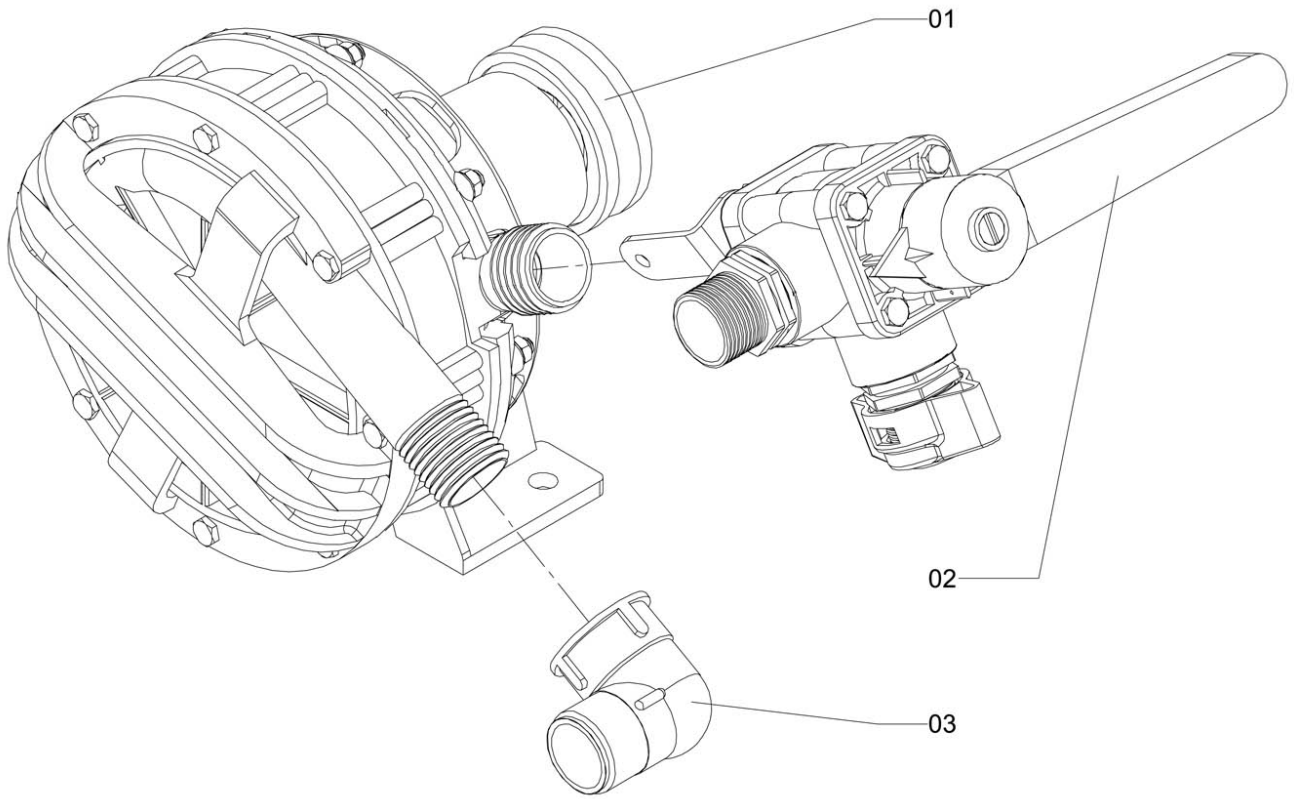


B-174

| Item | CODE | DESCRIPTION | Qty. | Item | CODE | DESCRIPTION | Qty. |
|------|--------|--|------|------|------|-------------|------|
| 00 | 337964 | Centrifugal pump BC-1143 (dual stage - series 4) | 1 | | | | |
| 01 | 704874 | Pulley 90-1A | 1 | | | | |
| 02 | 901363 | Allen bolt 1/4" - 20 UNC x 1/2" | 1 | | | | |
| 03 | 707067 | Bearing protector | 2 | | | | |
| 04 | 901371 | Snap ring for hole 47 | 2 | | | | |
| 05 | 901389 | Fixed bearing no. 6204 DDU | 2 | | | | |
| 06 | 901355 | Square key 3/16" x 22 | 1 | | | | |
| 07 | 340406 | Pump shaft | 1 | | | | |
| 08 | 019182 | Pump housing | 1 | | | | |
| 09 | 703132 | Pump body I | 1 | | | | |
| 10 | 932038 | Mechanic seal - Viton 42012 - stainless steel | 1 | | | | |
| 11 | 901405 | O-ring ORI-014 | 1 | | | | |
| 12 | 340372 | Pump rotor I | 1 | | | | |
| 13 | 901413 | O-ring ORI-258 | 2 | | | | |
| 14 | 815829 | Hex. nut 3/8" - 16 UNC | 1 | | | | |
| 15 | 703140 | Pump body II | 1 | | | | |
| 16 | 901850 | Pump cover | 1 | | | | |
| 17 | 216218 | Bolt 1/4" - 20 UNC x 2.1/2" | 8 | | | | |
| 18 | 910117 | Lock washer 1/4" | 8 | | | | |
| 19 | 912741 | Nut 1/4" - 20 UNC | 8 | | | | |
| 20 | 901348 | Pump rotor | 1 | | | | |
| 21 | 340414 | Square key 3 x 20 | 1 | | | | |
| 22 | 054304 | Output Separator | 1 | | | | |
| 23 | 973396 | Output spacer | 1 | | | | |
| 24 | 815175 | Sealer seat | 1 | | | | |

Controlled copy – Distribution and reproduction prohibited

CENTRIFUGAL PUMP WITH 3-WAY VALVE

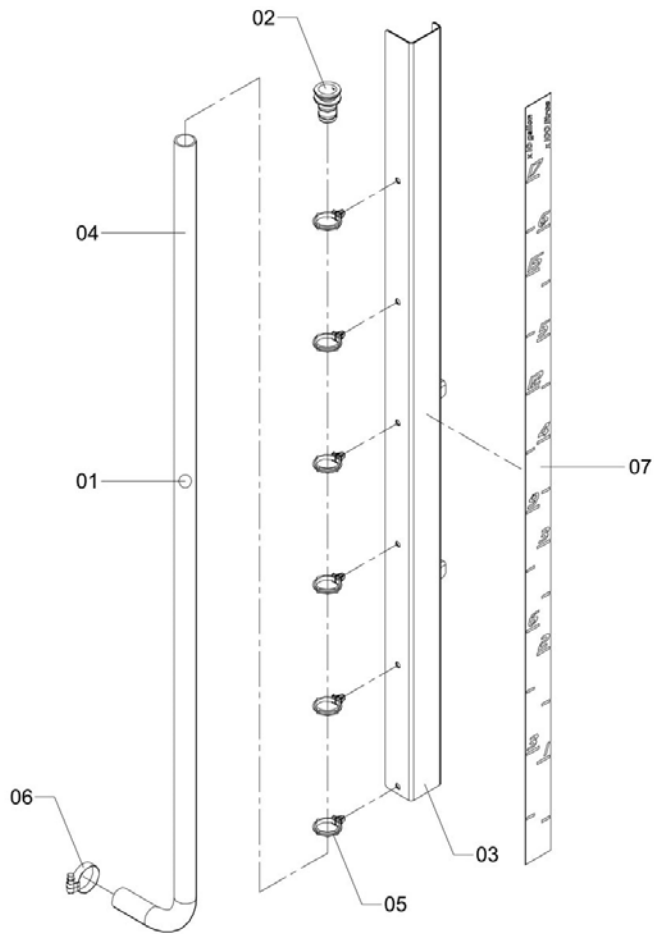


B-173

| Item | CODE | DESCRIPTION | Qty. | Item | CODE | DESCRIPTION | Qty. |
|------|--------|--|------|------|------|-------------|------|
| 00 | 164871 | Centrifugal pump with 3-way valve | 1 | | | | |
| 01 | 337964 | Centrifugal pump BC-1143 (dual stage - series 4) | 1 | | | | |
| 02 | 517821 | 3-way regulating valve | 1 | | | | |
| 03 | 902817 | Male/female elbow 1" BSP x 90° | 1 | | | | |

Controlled copy – Distribution and reproduction prohibited

LEVEL INDICATOR 5

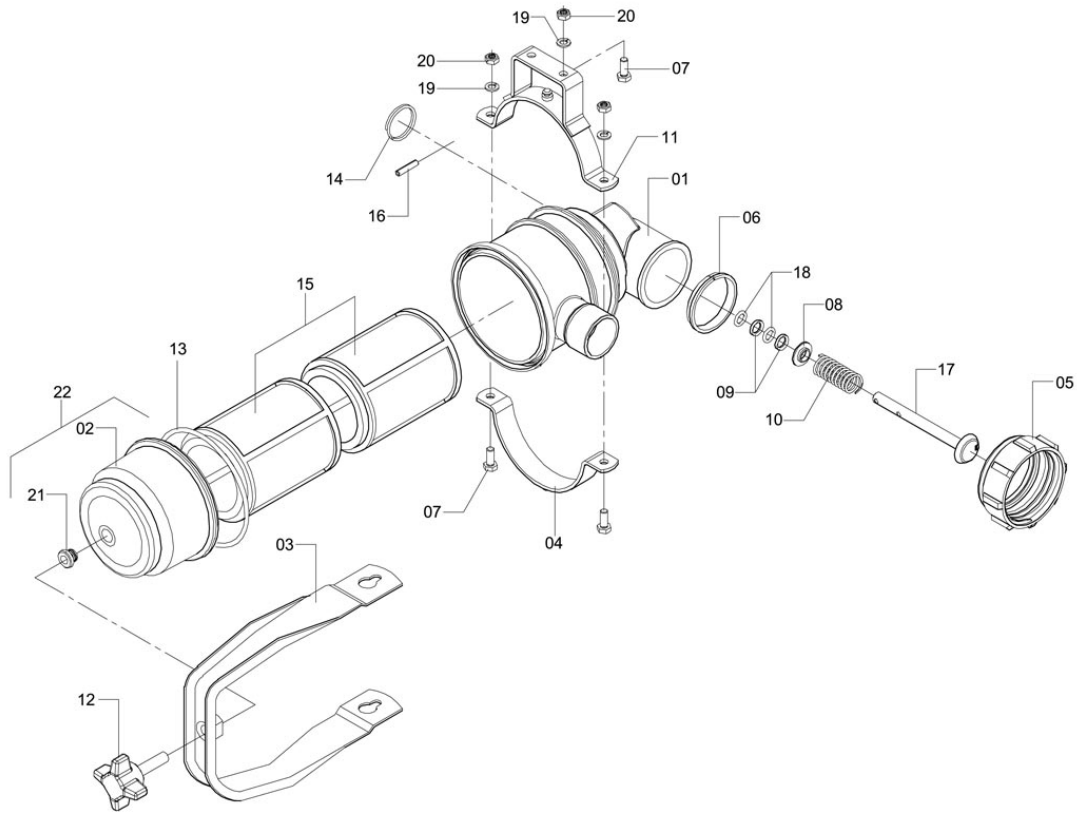


MN-74

| Item | CODE | DESCRIPTION | Qty. | Item | CODE | DESCRIPTION | Qty. |
|------|---------|--------------------------------|------|------|------|-------------|------|
| 00 | 716670 | Level indicator 5 | 1 | | | | |
| 01 | 324764 | Float 14 | 1 | | | | |
| 02 | 537381 | Plug | 1 | | | | |
| 03 | 716688 | Level indicator body | 1 | | | | |
| 04 | 717199 | Hose 3/4" x 1060 | 1 | | | | |
| 05 | 546598 | Hose clip 22/25 | 6 | | | | |
| 06 | 423814 | Clamp D22-32 - stainless steel | 1 | | | | |
| 07 | 1202989 | Sticker - Level meter - 600L | 1 | | | | |

Controlled copy – Distribution and reproduction prohibited

100-LITER SUCTION FILTER WITH VALVE

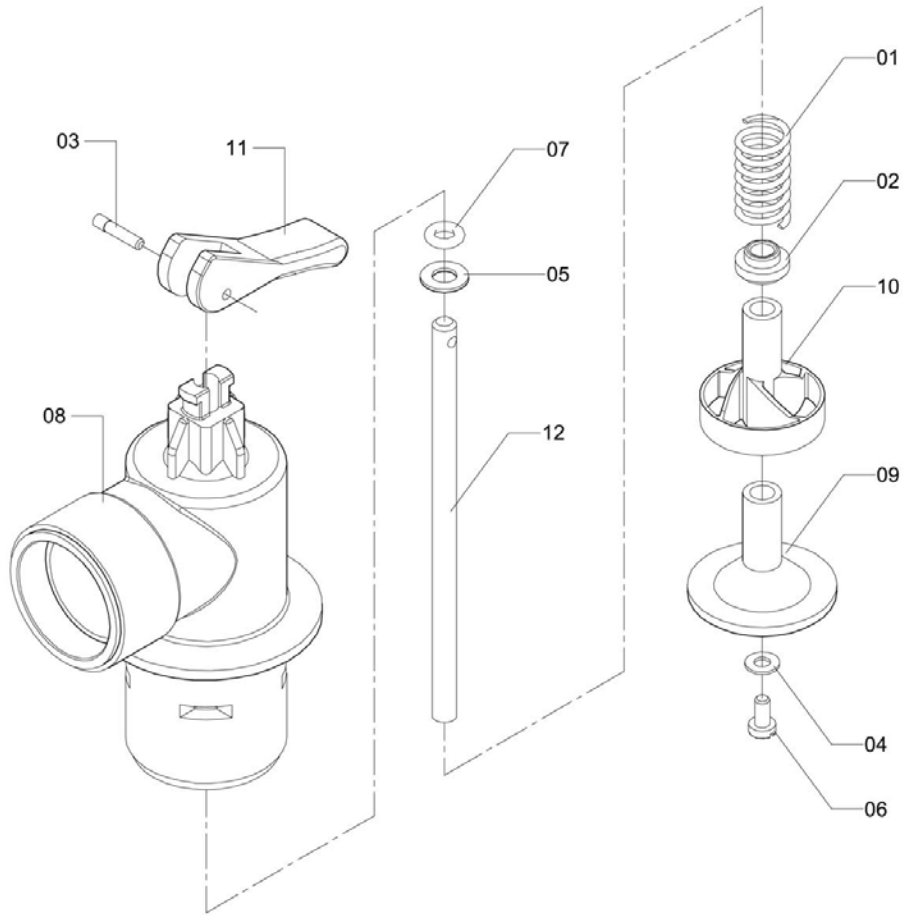


F-66

| Item | CODE | DESCRIPTION | Qty. | Item | CODE | DESCRIPTION | Qty. |
|------|--------|-------------------------------------|------|------|------|-------------|------|
| 00 | 613596 | 100-liter suction Filter with Valve | 1 | | | | |
| 01 | 005785 | Filter body | 1 | | | | |
| 02 | 006007 | Cap FVS 100 | 1 | | | | |
| 03 | 005827 | Filter handle | 1 | | | | |
| 04 | 005850 | Half-strap | 1 | | | | |
| 05 | 005900 | Coupling nut filter | 1 | | | | |
| 06 | 005918 | Locking ring | 1 | | | | |
| 07 | 810697 | Bolt M6 x 1 x 20 CL8.8 | 4 | | | | |
| 08 | 005967 | Spring seat | 1 | | | | |
| 09 | 005975 | Spacer washer | 2 | | | | |
| 10 | 006148 | Compression spring | 1 | | | | |
| 11 | 010967 | Half-strap with support | 1 | | | | |
| 12 | 011734 | Bolt with knob | 1 | | | | |
| 13 | 012138 | O-ring ORI - 241 | 1 | | | | |
| 14 | 012146 | Ring 40 | 1 | | | | |
| 15 | 613604 | Double filtering element | 1 | | | | |
| 16 | 105288 | Flexible pin 4 x 20 (heavy) | 1 | | | | |
| 17 | 110817 | Valve | 1 | | | | |
| 18 | 416669 | O-ring OR1-110 | 2 | | | | |
| 19 | 521666 | Lock washer 5 - stainless steel | 4 | | | | |
| 20 | 730309 | Hex. nut M6 x 1.00 - Steel | 4 | | | | |
| 21 | 006015 | Valve seat | 1 | | | | |
| 22 | 005793 | Filter cover | 1 | | | | |

Controlled copy – Distribution and reproduction prohibited

DIRECTIONAL VALVE

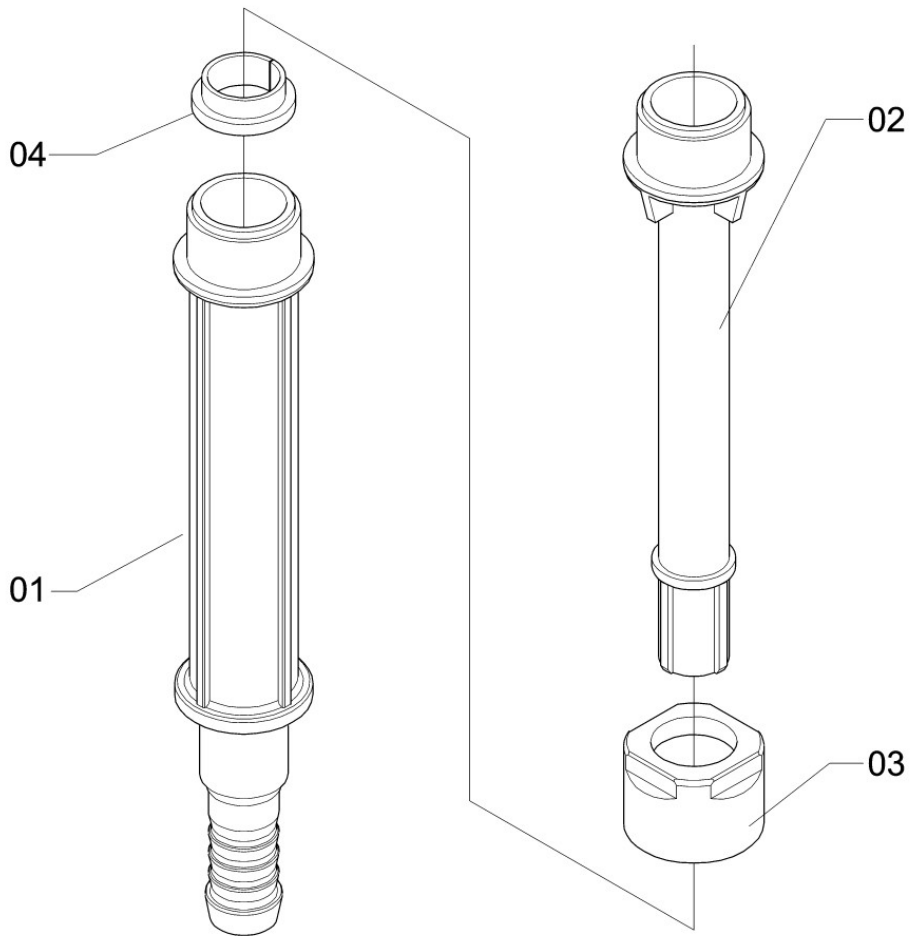


CV-167

| Item | CODE | DESCRIPTION | Qty. | Item | CODE | DESCRIPTION | Qty. |
|------|--------|---|------|------|------|-------------|------|
| 00 | 054395 | Directional valve | 1 | | | | |
| 01 | 044057 | Compression spring 12.7 | 1 | | | | |
| 02 | 048199 | Seal | 1 | | | | |
| 03 | 049858 | Lever pin | 1 | | | | |
| 04 | 050187 | Flat washer 4.3 x 9 x 0.8 - stainless steel | 1 | | | | |
| 05 | 050195 | Flat washer 64 x 125 x 95 stainless steel | 1 | | | | |
| 06 | 050211 | Screw M4 x 8 | 1 | | | | |
| 07 | 050237 | O-ring OR2-108 | 1 | | | | |
| 08 | 054403 | Valve body | 1 | | | | |
| 09 | 054429 | Piston cup | 1 | | | | |
| 10 | 054437 | Guide | 1 | | | | |
| 11 | 054445 | Rinse nozzle lever | 1 | | | | |
| 12 | 054452 | Spring Guide Pin | 1 | | | | |

Controlled copy – Distribution and reproduction prohibited

CHEMICAL CONTAINER RINSE NOZZLE ROD

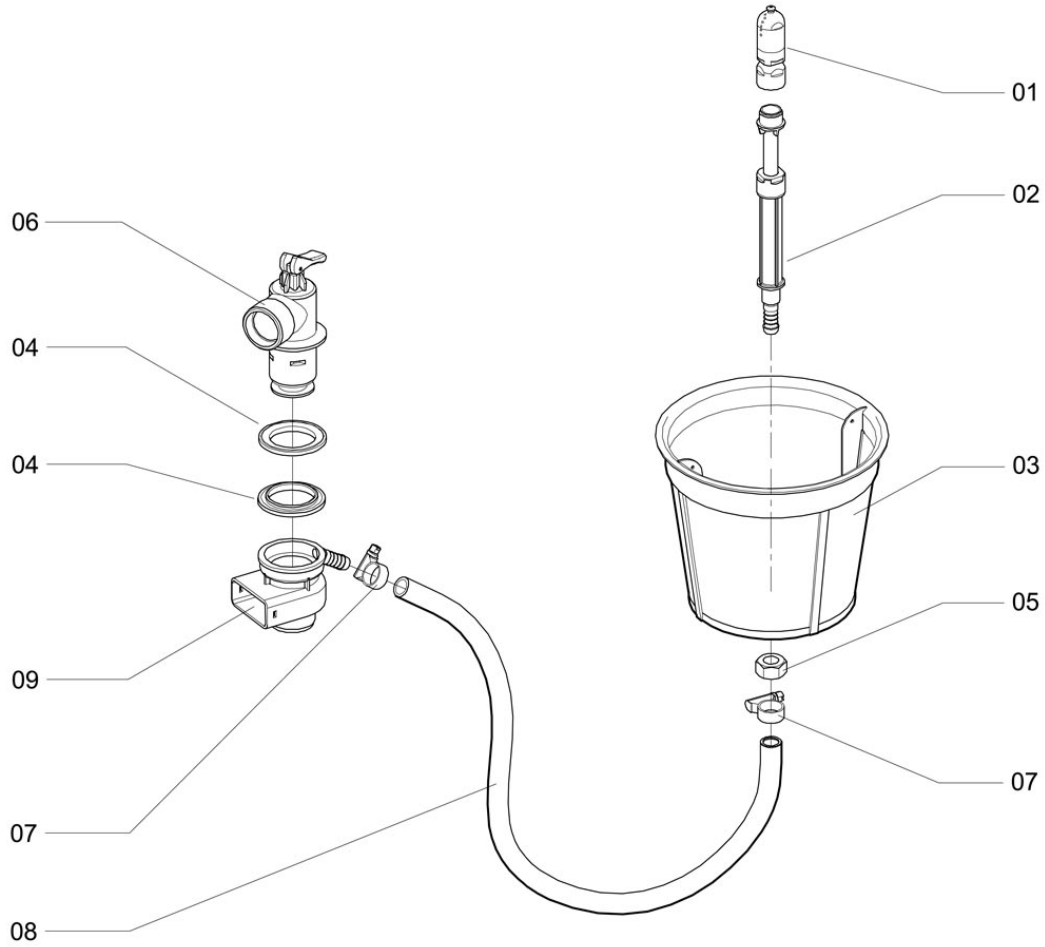


KIT-76

| Item | CODE | DESCRIPTION | Qty. |
|------|--------|-------------------------------------|------|
| 00 | 088237 | Chemical container rinse nozzle rod | 1 |
| 01 | 058834 | Nozzle rod | 1 |
| 02 | 083907 | Rod extension | 1 |
| 03 | 087882 | Extension nut | 1 |
| 04 | 134221 | Lock ring | 1 |

| Item | CODE | DESCRIPTION | Qty. |
|------|------|-------------|------|
| | | | |
| | | | |
| | | | |
| | | | |

CHEMICAL CONTAINER RINSE NOZZLE NO.4

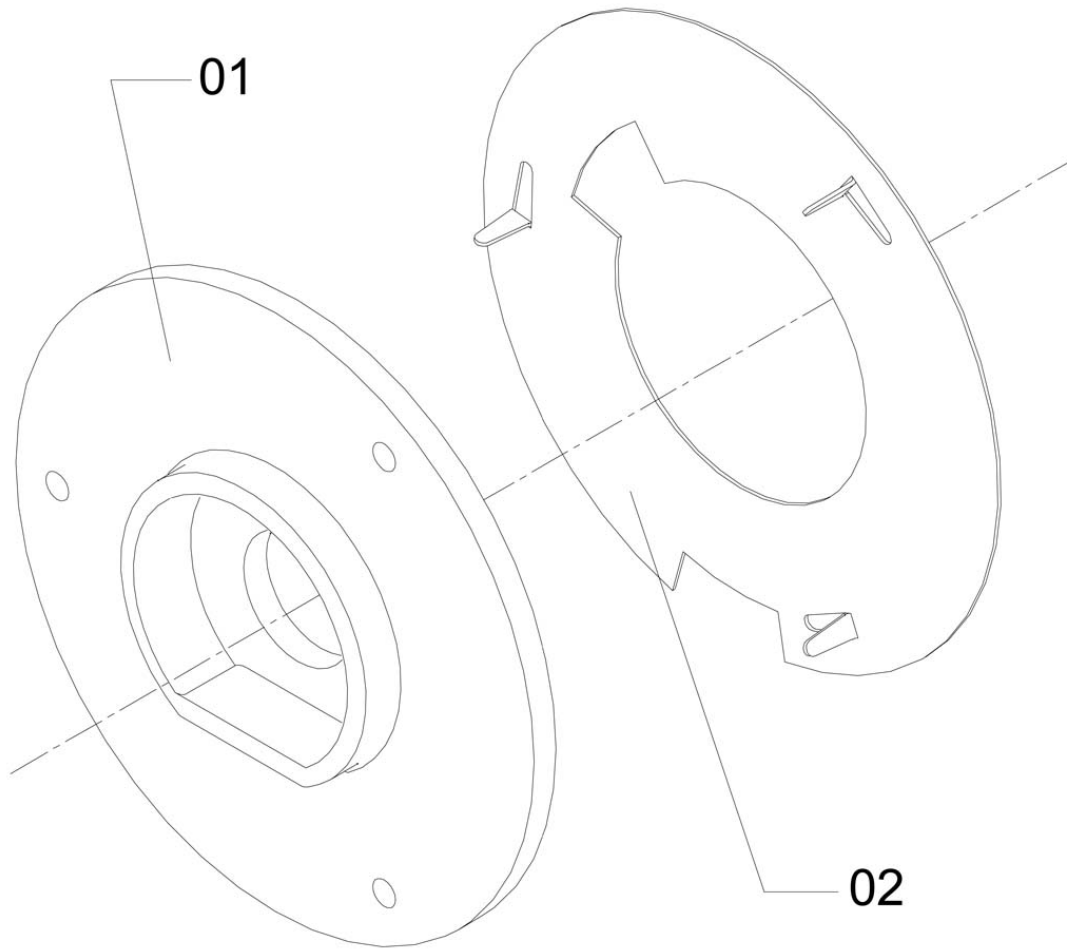


KIT-166

| Item | CODE | DESCRIPTION | Qty. | Item | CODE | DESCRIPTION | Qty. |
|------|--------|--------------------------------------|------|------|------|-------------|------|
| 00 | 060434 | Chemical container rinse nozzle no.4 | 1 | | | | |
| 01 | 071944 | Chemical container rinse nozzle | 1 | | | | |
| 02 | 088237 | Chemical container rinse nozzle rod | 1 | | | | |
| 03 | 061788 | Strainer 190-2T | 1 | | | | |
| 04 | 088245 | Packing ring | 2 | | | | |
| 05 | 938498 | Hex. nut M16 x 2.00 | 1 | | | | |
| 06 | 054395 | Directional valve | 1 | | | | |
| 07 | 107664 | Clamp D14-22 - stainless steel | 2 | | | | |
| 08 | 071886 | Hose 12.7 (1/2") x 600 | 1 | | | | |
| 09 | 054411 | Valve fastener | 1 | | | | |

Controlled copy – Distribution and reproduction prohibited

CONTACT DISC

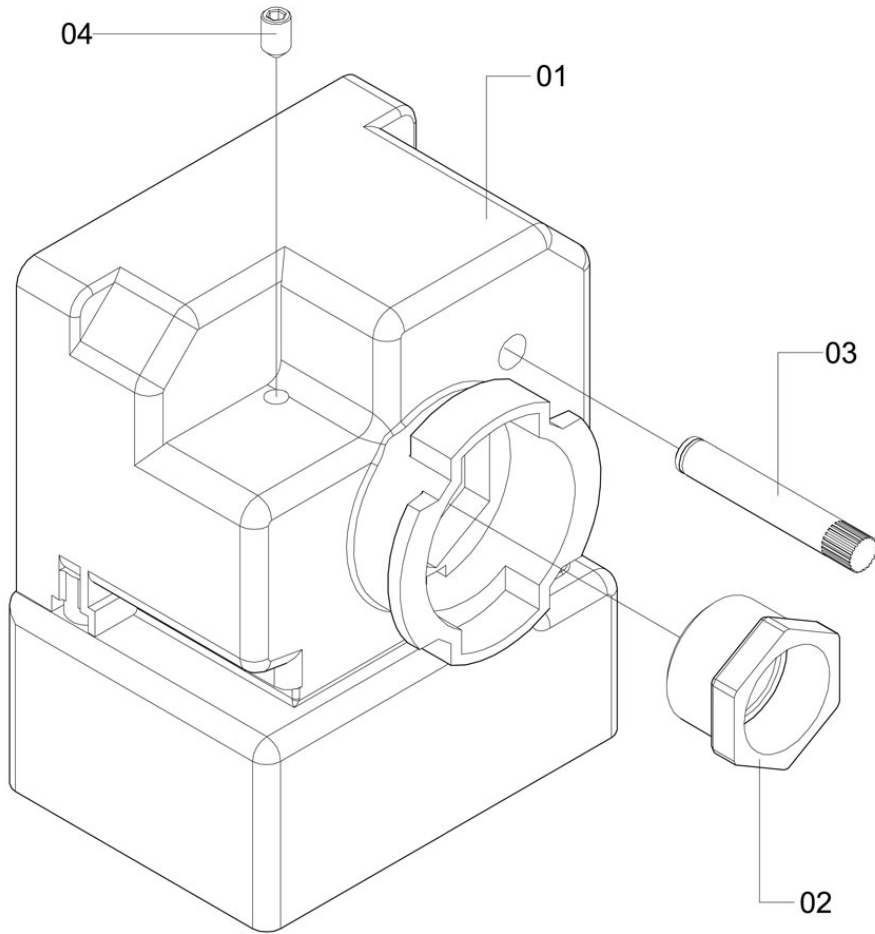


CV-382

| Item | CODE | DESCRIPTION | Qty. |
|------|--------|-----------------|------|
| 00 | 175737 | Contact disc | 1 |
| 01 | 865931 | Contact support | 1 |
| 02 | 867051 | Contact disc | 1 |

| Item | CODE | DESCRIPTION | Qty. |
|------|------|-------------|------|
| | | | |

GEAR CASE WITH BUSHING

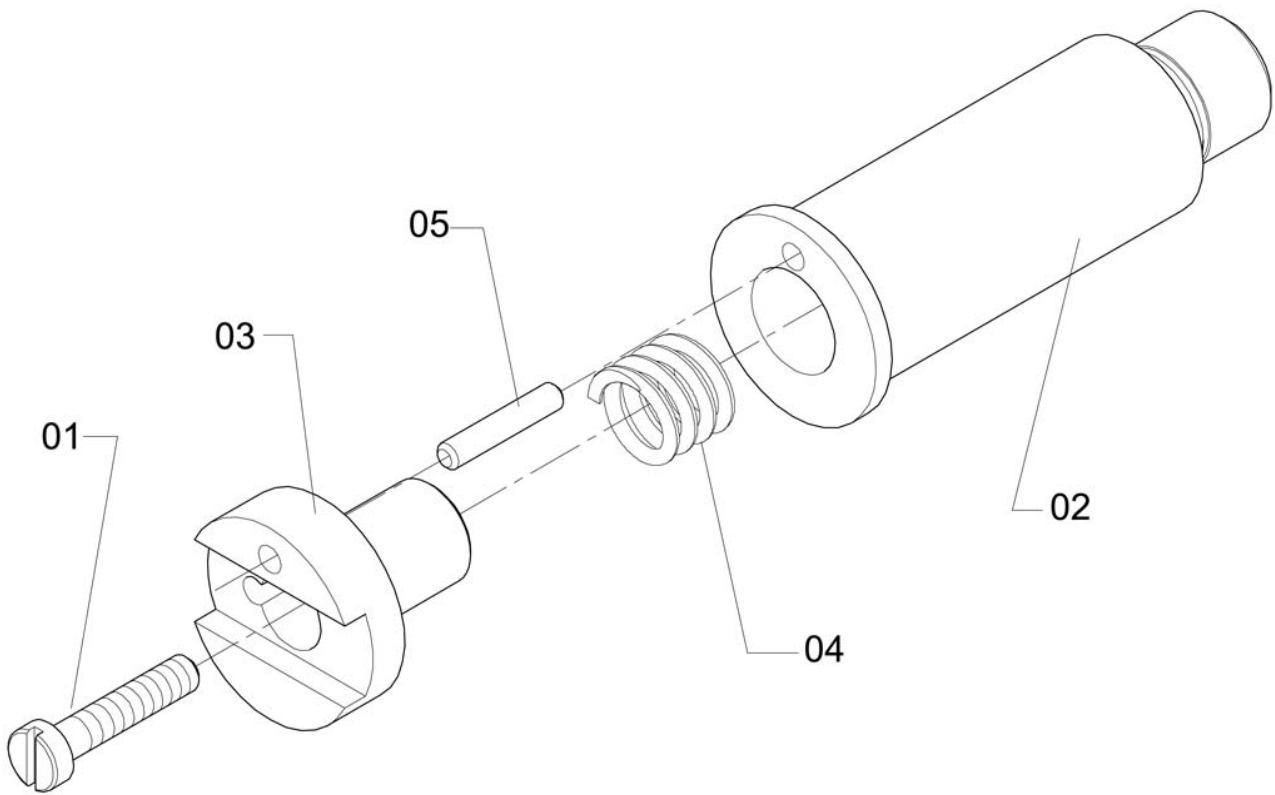


CV-515

| Item | CODE | DESCRIPTION | Qty. | Item | CODE | DESCRIPTION | Qty. |
|------|--------|------------------------|------|------|------|-------------|------|
| 00 | 172973 | Gear case with bushing | 1 | | | | |
| 01 | 049486 | Gear box | 1 | | | | |
| 02 | 267773 | Gear box bushing | 1 | | | | |
| 03 | 866046 | Gear shaft | 1 | | | | |
| 04 | 997205 | Bolt M6 x 10 x 0.8 | 1 | | | | |

Controlled copy – Distribution and reproduction prohibited

GEAR CASE SHAFT

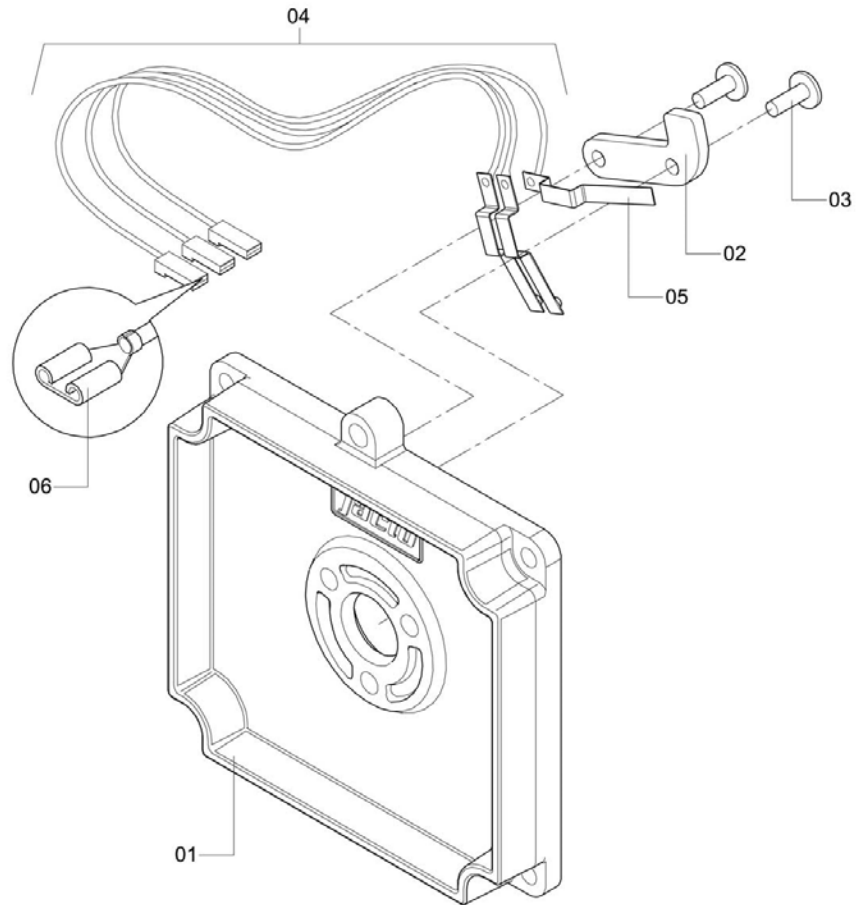


CV-304

| Item | CODE | DESCRIPTION | Qty. | Item | CODE | DESCRIPTION | Qty. |
|------|--------|--------------------|------|------|------|-------------|------|
| 00 | 867069 | Gear case shaft | 1 | | | | |
| 01 | 071894 | Bolt M4 x 20 x 07 | 1 | | | | |
| 02 | 145490 | Shaft body | 1 | | | | |
| 03 | 145508 | Shaft head | 1 | | | | |
| 04 | 462572 | Compression spring | 1 | | | | |
| 05 | 693861 | Lever pin | 1 | | | | |

Controlled copy – Distribution and reproduction prohibited

GEAR CASE COVER ASSEMBLY

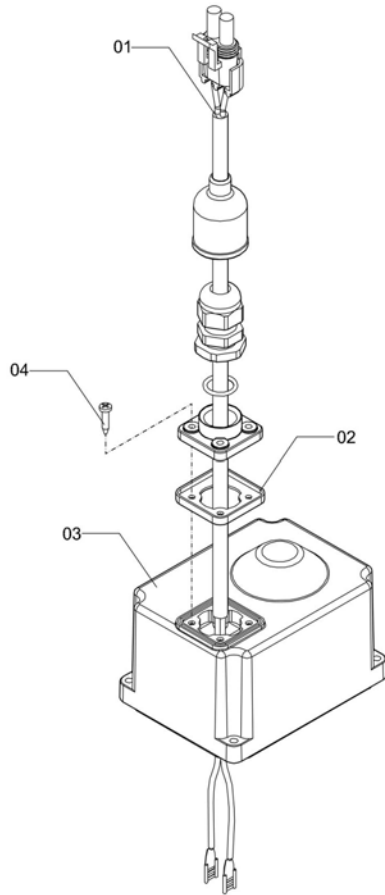


CV-580

| Item | CODE | DESCRIPTION | Qty. | Item | CODE | DESCRIPTION | Qty. |
|------|--------|-------------------------------|------|------|------|-------------|------|
| 00 | 189803 | Gear case cover assembly | 1 | | | | |
| 01 | 860148 | Gear case cover | 1 | | | | |
| 02 | 860205 | Plate fastening support | 1 | | | | |
| 03 | 997213 | Flanged head screw 3.5 x 10 | 2 | | | | |
| 04 | 015064 | Contact plate cable - tubings | 1 | | | | |
| 05 | 868422 | Contact plate | 3 | | | | |
| 06 | 442434 | Receptacle | 3 | | | | |

Controlled copy – Distribution and reproduction prohibited

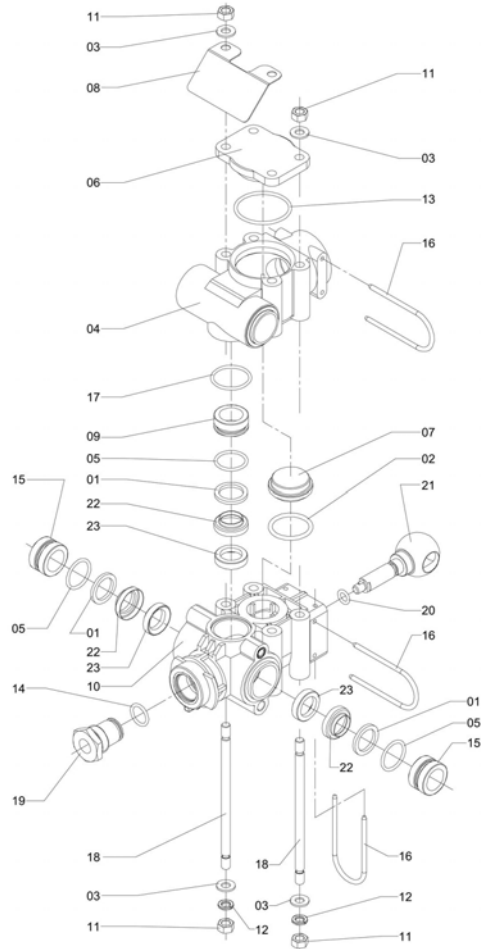
COVER ASSEMBLY - QUICK RELIEF MOTOR



CV-514

| Item | CODE | DESCRIPTION | Qty. | Item | CODE | DESCRIPTION | Qty. |
|------|--------|-------------------------------------|------|------|------|-------------|------|
| 00 | 795294 | Cover assembly - quick relief motor | 1 | | | | |
| 01 | 583773 | Connecting cables - branches | 1 | | | | |
| 02 | 306811 | Connector seal | 1 | | | | |
| 03 | 868273 | Engine cover | 1 | | | | |
| 04 | 997197 | Screw 3.0 x 16 | 4 | | | | |

QUICK RELIEF

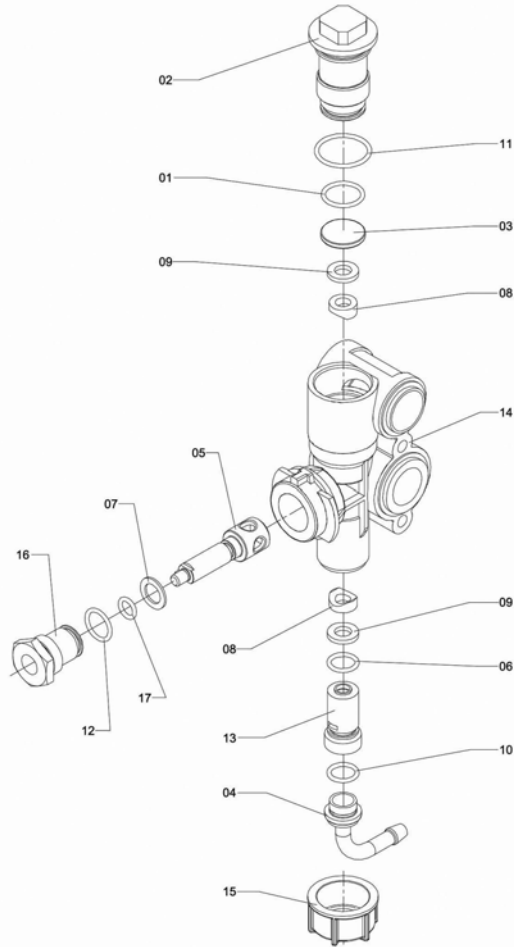


CV-126

| Item | CODE | DESCRIPTION | Qty. | Item | CODE | DESCRIPTION | Qty. |
|------|--------|---------------------------------|------|------|------|-------------|------|
| 00 | 139337 | Quick relief | 1 | | | | |
| 01 | 010827 | Packing ring 29 x 22 x 3 | 3 | | | | |
| 02 | 011593 | O-ring OR1-219 | 1 | | | | |
| 03 | 013433 | Flat washer 4.8 x 16 x 1.6 inox | 8 | | | | |
| 04 | 049494 | Quick relief body | 1 | | | | |
| 05 | 106955 | O-ring OR1-120 | 3 | | | | |
| 06 | 139345 | Quick Relief Cover | 1 | | | | |
| 07 | 139352 | Valve seat | 1 | | | | |
| 08 | 144121 | Identification plate | 1 | | | | |
| 09 | 165274 | Seat bushing | 1 | | | | |
| 10 | 165811 | Body base | 1 | | | | |
| 11 | 221648 | Nut M8 x 1.25 - stainless steel | 8 | | | | |
| 12 | 519736 | Lock washer | 4 | | | | |
| 13 | 735282 | O-ring OR2-225 | 1 | | | | |
| 14 | 832857 | O-ring OR1-115 | 1 | | | | |
| 15 | 860080 | Quick relief seat bushing | 2 | | | | |
| 16 | 868372 | Nozzles U-shaped clamp | 3 | | | | |
| 17 | 881839 | O-ring OR2-124 | 1 | | | | |
| 18 | 945907 | Stud bolt M8 x 1.25 x 156 | 4 | | | | |
| 19 | 946079 | Core seat | 1 | | | | |
| 20 | 955617 | O-ring OR2-110 | 1 | | | | |
| 21 | 974154 | Quick relief spherical core | 1 | | | | |
| 22 | 982736 | Sleeve (teflon) | 3 | | | | |
| 23 | 982744 | Seal seat | 3 | | | | |

Controlled copy – Distribution and reproduction prohibited

CONTROL BRANCH - ASSEMBLY

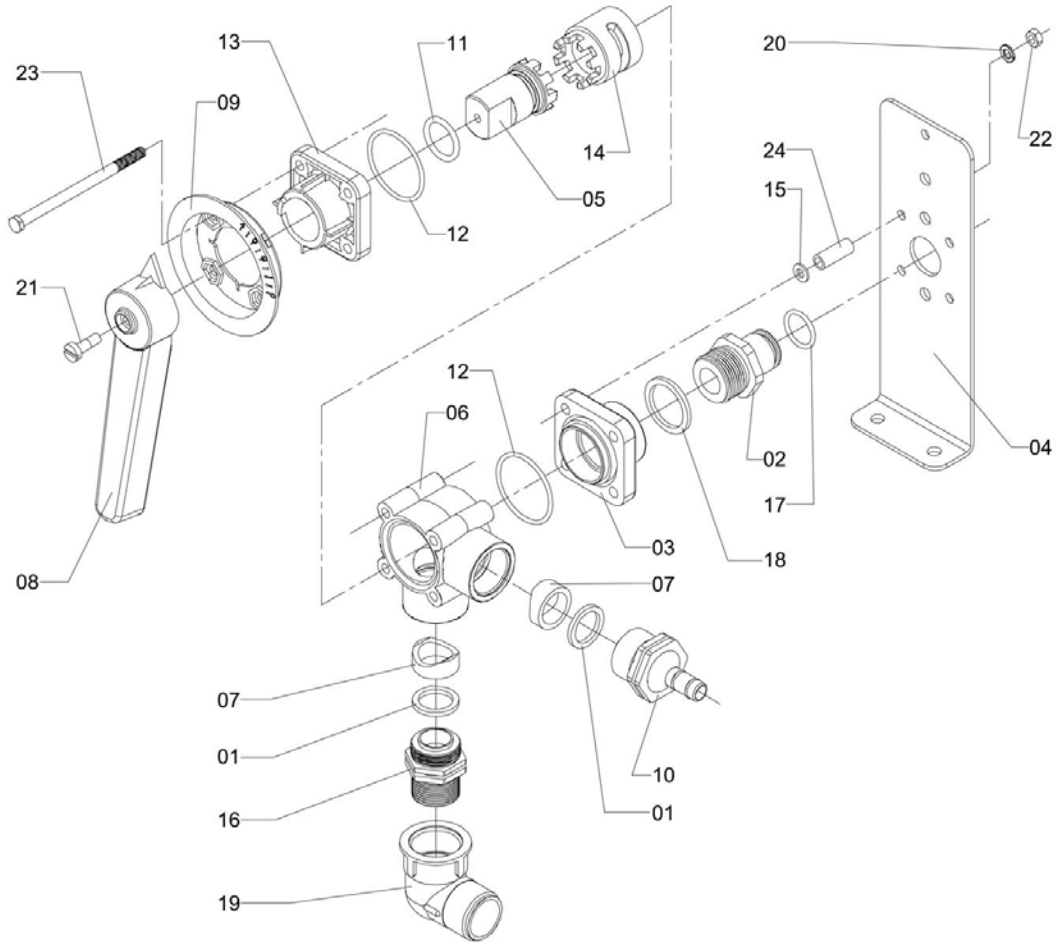


CV-125

| Item | CODE | DESCRIPTION | Qty. | Item | CODE | DESCRIPTION | Qty. |
|------|--------|---------------------------|------|------|------|-------------|------|
| 00 | 139311 | Control Branch - Assembly | 1 | | | | |
| 01 | 106955 | O-ring OR1-120 | 1 | | | | |
| 02 | 139261 | Fastener | 1 | | | | |
| 03 | 139329 | Cell | 1 | | | | |
| 04 | 144105 | Hose fitting 3/8" | 1 | | | | |
| 05 | 148155 | Branch ball core with pin | 1 | | | | |
| 06 | 322057 | O-ring ORI-114 | 1 | | | | |
| 07 | 414748 | O-ring 22 x 1.5 | 1 | | | | |
| 08 | 414763 | Seal seat 18 | 2 | | | | |
| 09 | 414771 | O-ring 20 x 11 x 3.0 | 2 | | | | |
| 10 | 706796 | O-ring OR1-114 | 1 | | | | |
| 11 | 731521 | O-ring OR1 - 124 | 1 | | | | |
| 12 | 832857 | O-ring OR1-115 | 1 | | | | |
| 13 | 860064 | Outlet nipple bushing | 1 | | | | |
| 14 | 860130 | Branch body | 1 | | | | |
| 15 | 867044 | Nut for branch outlet | 1 | | | | |
| 16 | 946079 | Core seat | 1 | | | | |
| 17 | 955617 | O-ring OR2-110 | 1 | | | | |

Controlled copy – Distribution and reproduction prohibited

ELECTRIC CONTROL VALVE

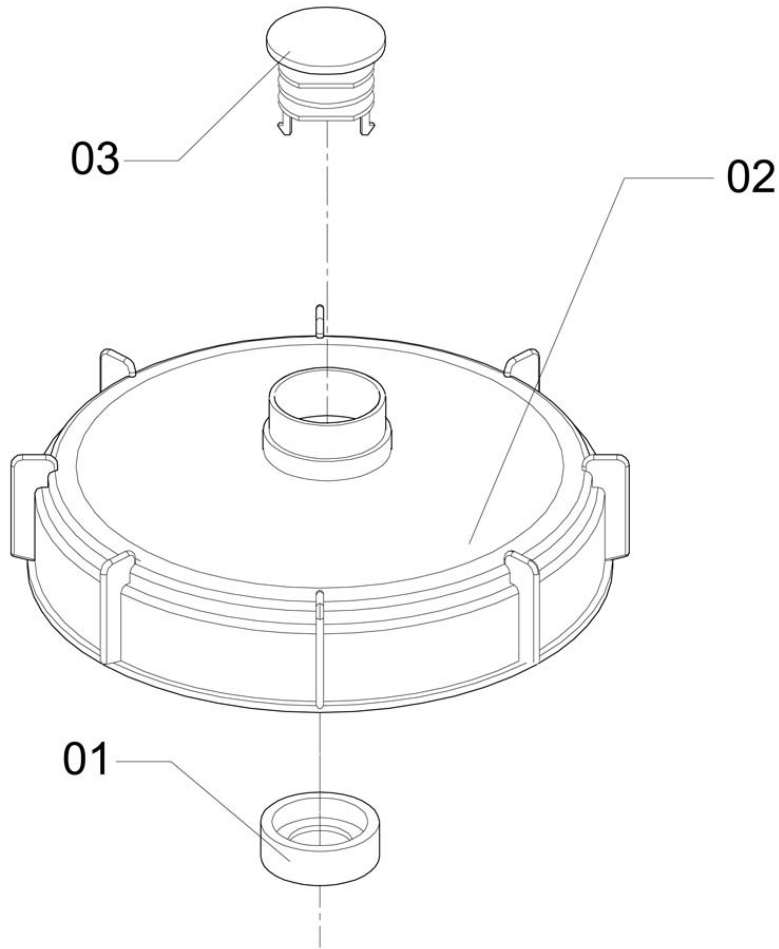


CV-127

| Item | CODE | DESCRIPTION | Qty. | Item | CODE | DESCRIPTION | Qty. |
|------|--------|---------------------------------------|------|------|------|-------------|------|
| 00 | 140160 | Electric Control Valve | 1 | | | | |
| 01 | 010827 | Packing ring 29 x 22 x 3 | 2 | | | | |
| 02 | 139279 | Quick 1" - BSP | 1 | | | | |
| 03 | 139303 | Cover | 1 | | | | |
| 04 | 139360 | Support | 1 | | | | |
| 05 | 200048 | Valve rod | 1 | | | | |
| 06 | 200121 | Core body | 1 | | | | |
| 07 | 200139 | Packing ring seat 28 x 8 | 2 | | | | |
| 08 | 200204 | Setting lever | 1 | | | | |
| 09 | 212134 | Indicator | 1 | | | | |
| 10 | 212175 | Fitting 1/2" x 1" BSP | 1 | | | | |
| 11 | 216192 | O-ring OR1-213 | 1 | | | | |
| 12 | 216200 | O-ring ORI-132 | 2 | | | | |
| 13 | 322594 | Valve cover | 1 | | | | |
| 14 | 333724 | Regulator core | 1 | | | | |
| 15 | 358267 | Flat washer 64 x 125 x 16 | 4 | | | | |
| 16 | 517847 | Nipple 1" BSP | 1 | | | | |
| 17 | 531806 | O-ring OR1-117 | 1 | | | | |
| 18 | 535062 | Packing ring 37.7 X 3.00 | 1 | | | | |
| 19 | 902817 | Male/female elbow 1" BSP x 90 degrees | 1 | | | | |
| 20 | 910117 | Lock washer 1/4" | 4 | | | | |
| 21 | 912642 | Screw 1/4" UNC x 5/8" | 1 | | | | |
| 22 | 912741 | Nut 1/4" - 20 UNC | 4 | | | | |
| 23 | 912808 | Hex. head bolt 1/4" - 20 UNC x 110 | 4 | | | | |
| 24 | 994772 | Spacer bushing 26 | 4 | | | | |

Controlled copy – Distribution and reproduction prohibited

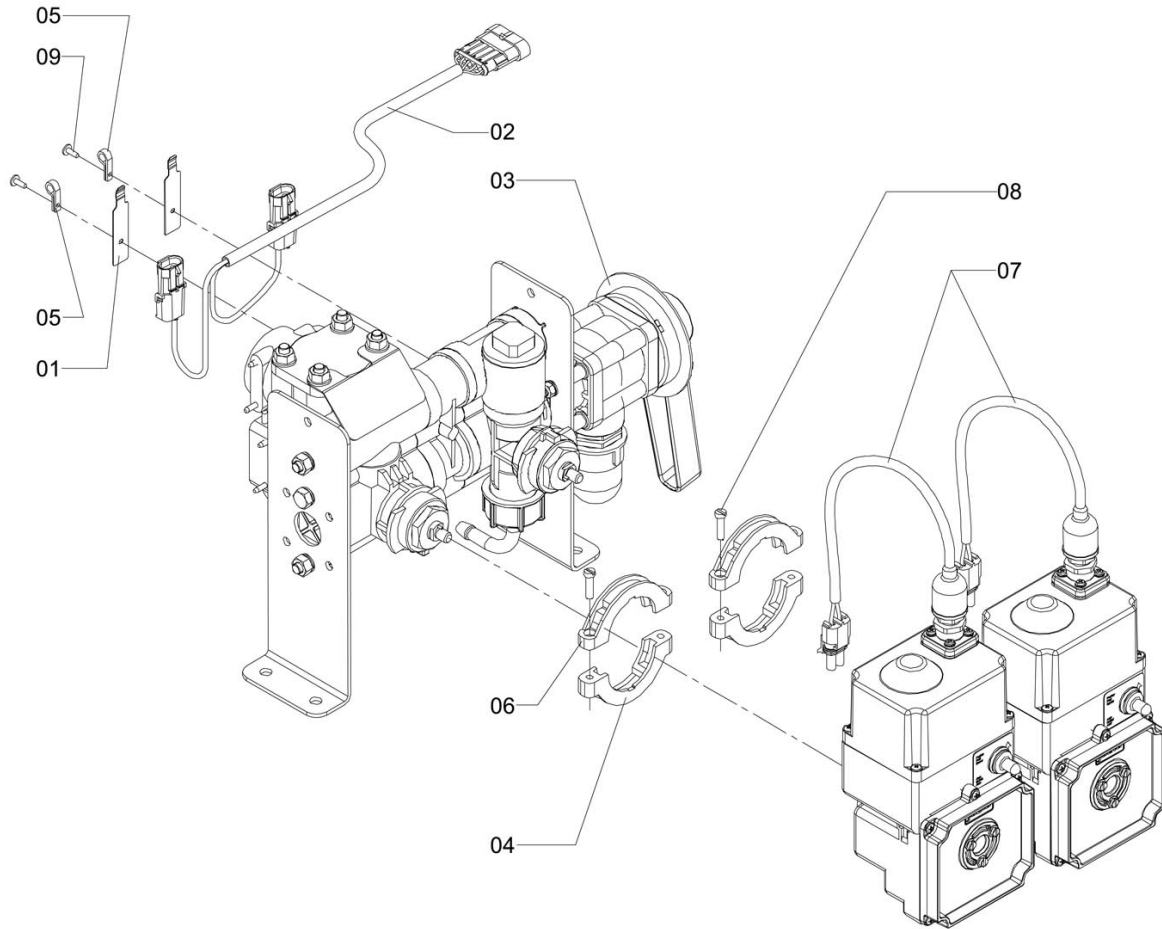
LID WITH BREATHER



D-101

| Item | CODE | DESCRIPTION | Qty. | Item | CODE | DESCRIPTION | Qty. |
|------|--------|-------------------|------|------|------|-------------|------|
| 00 | 037374 | Lid with breather | 1 | | | | |
| 01 | 088419 | Labyrinth lock | 1 | | | | |
| 02 | 233965 | Spray tank lid | 1 | | | | |
| 03 | 088427 | Labyrinth | 1 | | | | |

ELECTRIC CONTROL AND COMPLEMENTS

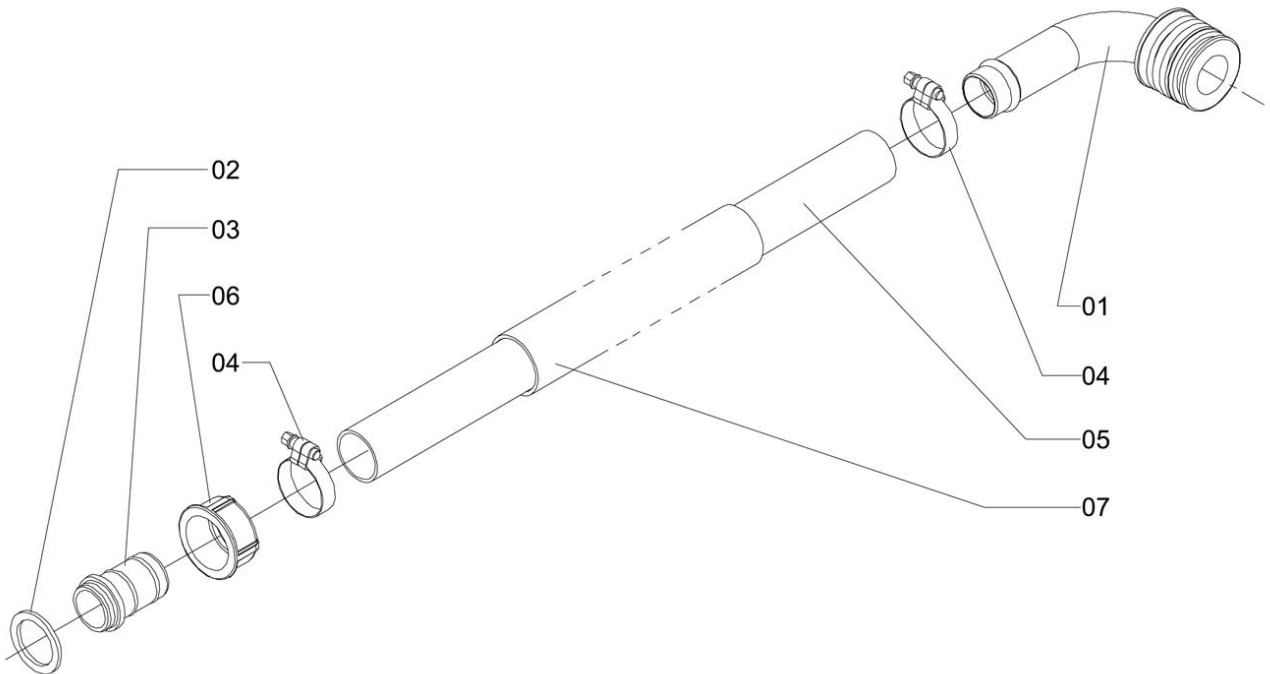


CV-644

| Item | CODE | DESCRIPTION | Qty. | Item | CODE | DESCRIPTION | Qty. |
|------|--------|---|------|------|------|-------------|------|
| 00 | 139378 | Electric control and complements | 1 | | | | |
| 01 | 471292 | Connector support | 2 | | | | |
| 02 | 148338 | Electric control cable | 1 | | | | |
| 03 | 321133 | Electrical control - Masterflow | 1 | | | | |
| 05 | 849794 | Clamp N4 | 2 | | | | |
| 06 | 865907 | Semi-clamp | 2 | | | | |
| 07 | 582254 | Quick relief reduction box and branches | 2 | | | | |
| 08 | 444810 | Screw M5 x 20 x 0.8 | 4 | | | | |
| 09 | 997213 | Flanged head screw 3.5 x 10 | 2 | | | | |
| | 008895 | Repair kit (Masterflow 2000) | 1 | | | | |

Controlled copy – Distribution and reproduction prohibited

HOSE - PUMP/CONTROL

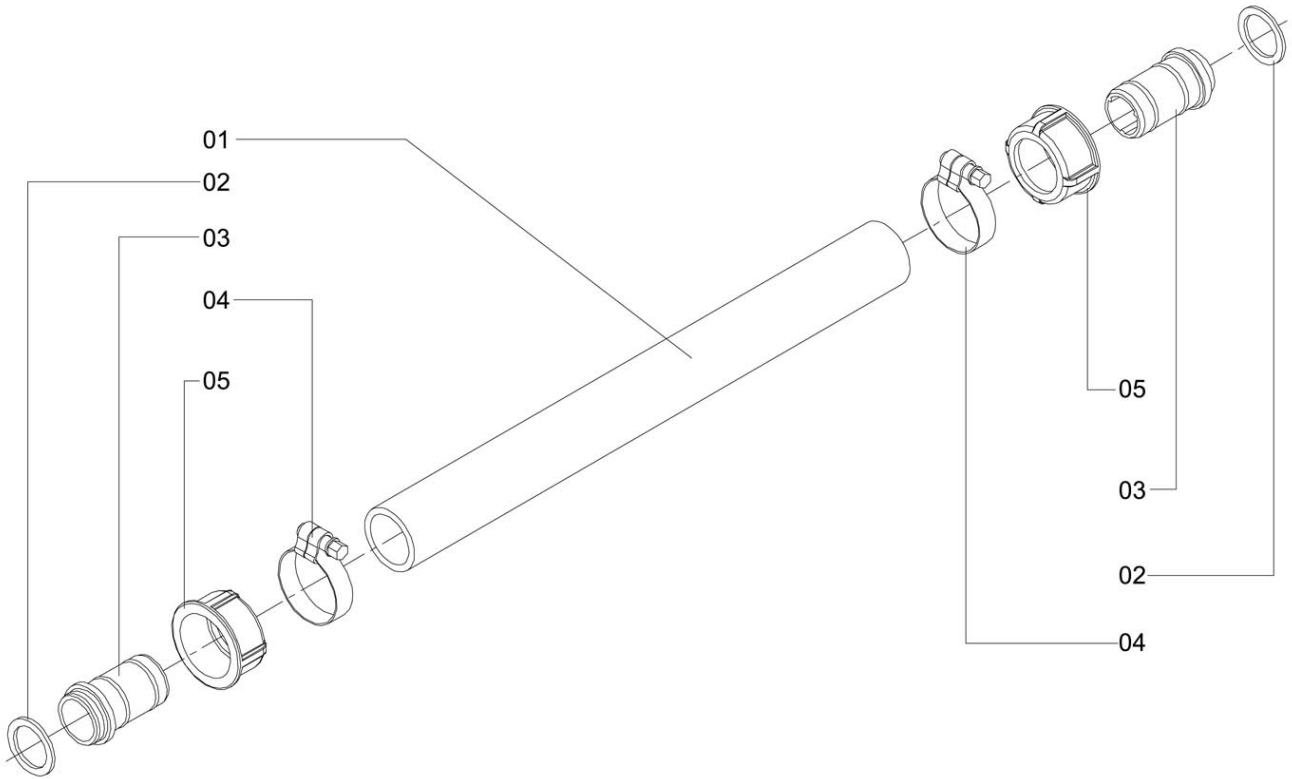


MD-059

| Item | CODE | DESCRIPTION | Qty. | Item | CODE | DESCRIPTION | Qty. |
|------|--------|----------------------------------|------|------|------|-------------|------|
| 00 | 012609 | Hose - Pump/Control | 1 | | | | |
| 01 | 989087 | Hose fitting 1" | 1 | | | | |
| 02 | 402412 | Lock washer 31 x 22.5 x 22.5/3.0 | 1 | | | | |
| 03 | 404434 | Hose fitting | 1 | | | | |
| 04 | 423814 | Clamp D22-32 - stainless steel | 2 | | | | |
| 05 | 943092 | Flexible hose -1" x 2650mm | 1 | | | | |
| 06 | 511733 | Round nut 1" BSP (40-45) | 1 | | | | |
| 07 | 092528 | Blue hose AR - 38 (1.1/2") x 300 | 1 | | | | |

Controlled copy – Distribution and reproduction prohibited

RETURN HOSE - 1" X 700

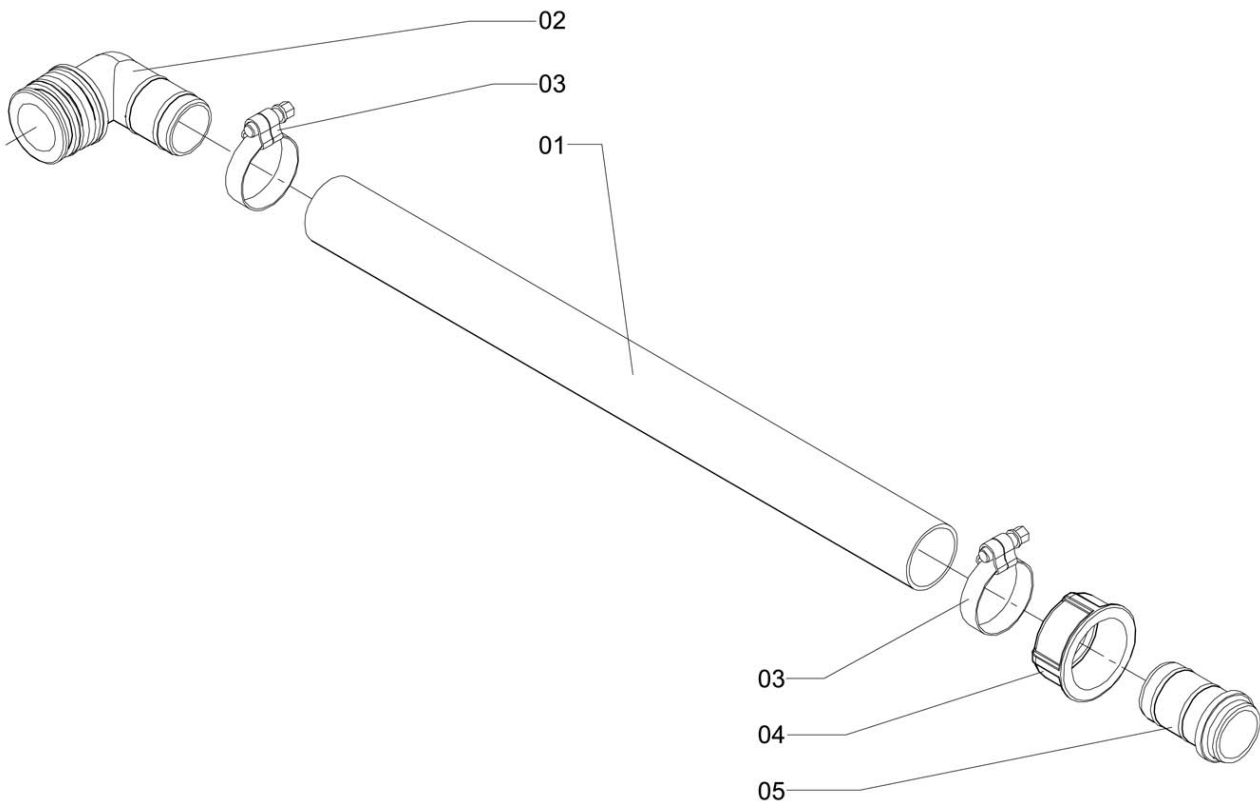


MD-062

| Item | CODE | DESCRIPTION | Qty. |
|------|--------|----------------------------------|------|
| 00 | 287144 | Return hose - 1" x 700 | 1 |
| 01 | 349068 | Hose 1" x 570 | 1 |
| 02 | 402412 | Lock washer 31 x 22.5 x 22.5/3.0 | 2 |
| 03 | 404434 | Hose fitting | 2 |
| 04 | 423814 | Clamp D22-32 - stainless steel | 2 |
| 05 | 511733 | Round nut 1" BSP (40-45) | 2 |

| Item | CODE | DESCRIPTION | Qty. |
|------|------|-------------|------|
| | | | |
| | | | |
| | | | |
| | | | |

HOSE - CONTROL/TANK

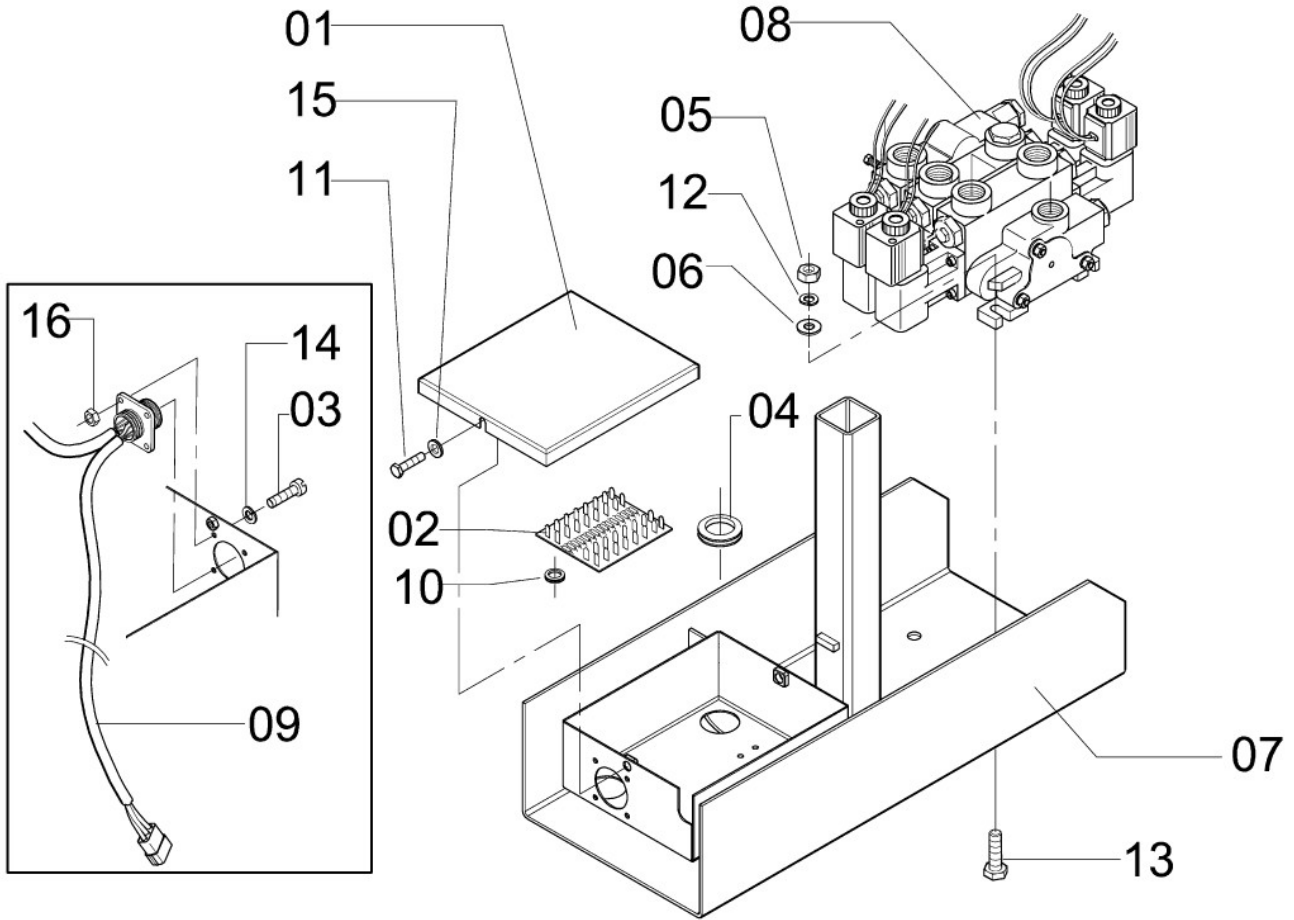


MD-058

| Item | CODE | DESCRIPTION | Qty. | Item | CODE | DESCRIPTION | Qty. |
|------|--------|---------------------------------|------|------|------|-------------|------|
| 00 | 012617 | Hose - Control/Tank | 1 | | | | |
| 01 | 932103 | Hose 31.5 (1.1/4") x 800 - blue | 1 | | | | |
| 02 | 989053 | Elbow fitting 1.1/4" x 90° | 1 | | | | |
| 03 | 330969 | Clamp D25-38 - stainless steel | 2 | | | | |
| 04 | 005884 | Nut 1.1/4" BSP | 1 | | | | |
| 05 | 005892 | Fitting 31.8 (1.1/4") x 33 | 1 | | | | |

Controlled copy – Distribution and reproduction prohibited

HYDRAULIC CONTROL - ELECTRIC OPERATION

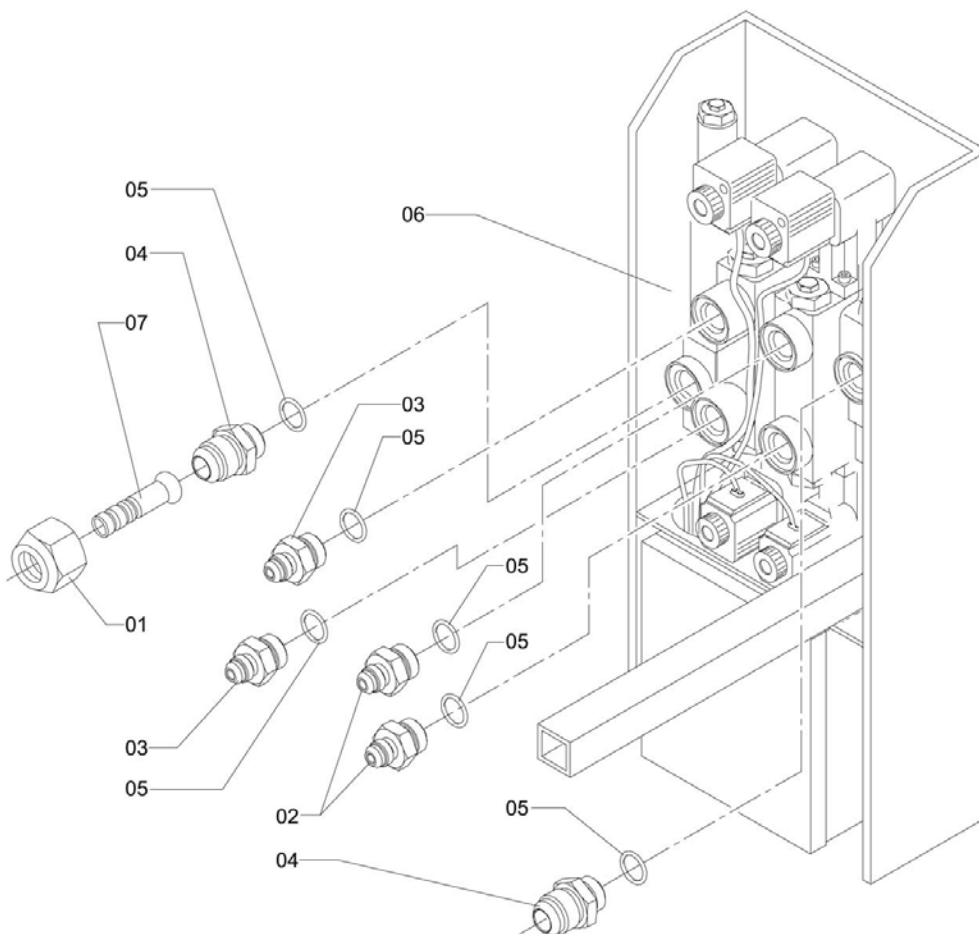


CE-79

| Item | CODE | DESCRIPTION | Qty. | Item | CODE | DESCRIPTION | Qty. |
|------|--------|--|------|------|------|-------------|------|
| 00 | 276667 | Hydraulic control - electric operation | 1 | | | | |
| 01 | 054783 | Electric connection box cover | 1 | | | | |
| 02 | 468504 | Electronic plate | 1 | | | | |
| 03 | 727669 | Bolt M4 x 12 | 4 | | | | |
| 04 | 762393 | Conjugate gear | 2 | | | | |
| 05 | 810770 | Hex. nut M-8 x 1.25 | 3 | | | | |
| 06 | 881276 | Flat washer 8.7 x 20 x 1.2 - stainless steel | 3 | | | | |
| 07 | 149534 | Hydraulic control support | 1 | | | | |
| 08 | 276782 | Electric hydraulic control | 1 | | | | |
| 09 | 277889 | Intermediate cable - hydraulic control | 1 | | | | |
| 10 | 441881 | Spacer 6 | 4 | | | | |
| 11 | 448019 | Hex. head bolt M6 x 12 | 2 | | | | |
| 12 | 050195 | Flat washer 64 x 125 x 95 - stainless steel | 2 | | | | |
| 13 | 519744 | Screw M8 x 40 x 1.25 | 3 | | | | |
| 14 | 520700 | Lock washer 4.3 x 7.1 x 1 | 4 | | | | |
| 15 | 521666 | Lock washer 5 - stainless steel | 2 | | | | |
| 16 | 551523 | Hex. nut M-4 x 0.7 stainless steel | 4 | | | | |

Controlled copy – Distribution and reproduction prohibited

ELECTRICAL HYDRAULIC CONTROL WITH NIPPLE

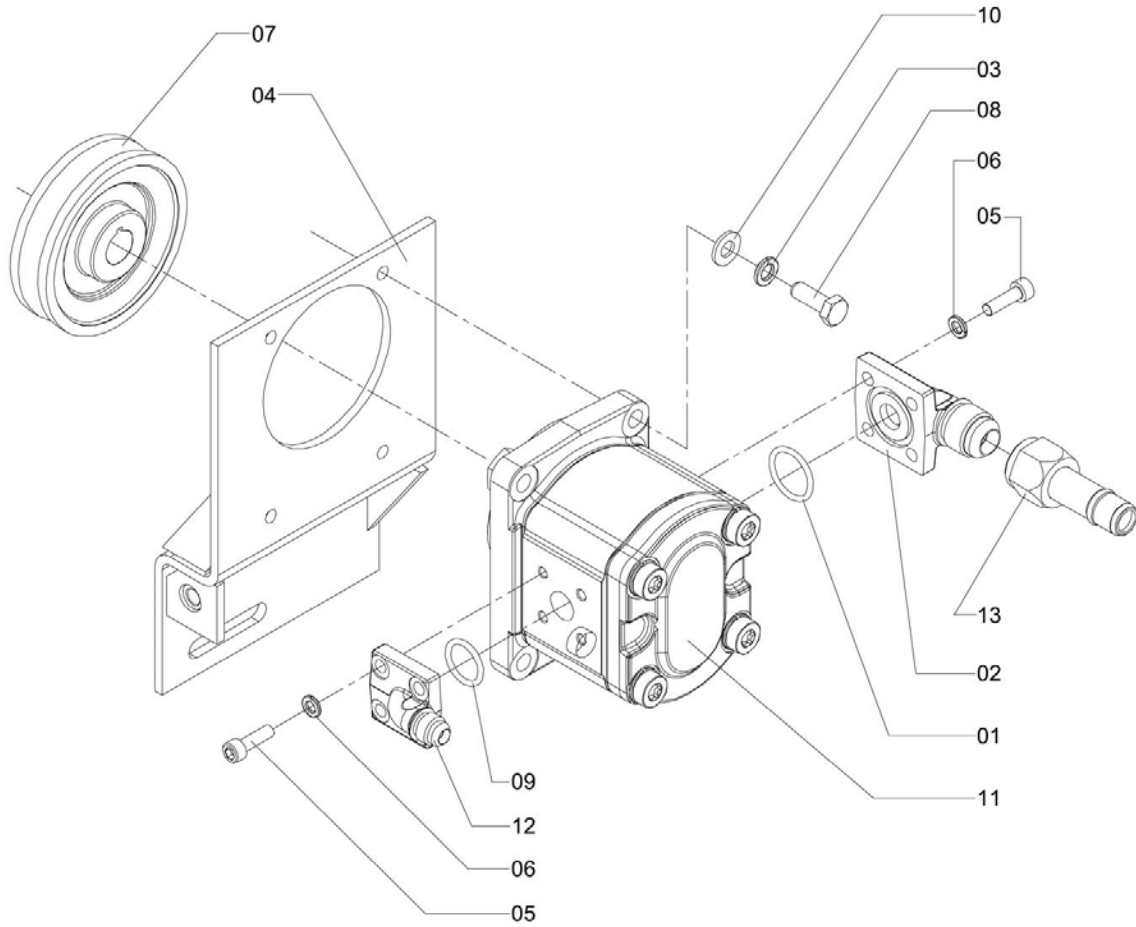


CH-640

| Item | CODE | DESCRIPTION | Qty. |
|------|--------|--|------|
| 00 | 045970 | Electrical hydraulic control with nipple | 1 |
| 01 | 210237 | Hex. nut 9/16" - 18 UNF | 1 |
| 02 | 949495 | Dosage nipple 2 - 37 | 2 |
| 03 | 949503 | Nipple 1/2" UNF x 3/4" UNF | 2 |
| 04 | 210567 | Dosage nipple 9/16" UNF x 3/4" UNF | 2 |
| 05 | 210823 | O-ring OR2-008 | 6 |
| 06 | 276667 | Hydraulic control - electric operation | 1 |
| 07 | 519835 | Elbow fitting 37 - BP 6 | 1 |

| Item | CODE | DESCRIPTION | Qty. |
|------|------|-------------|------|
| | | | |
| | | | |
| | | | |
| | | | |
| | | | |
| | | | |
| | | | |
| | | | |
| | | | |
| | | | |

DUCT ACTUATION CIRCUIT

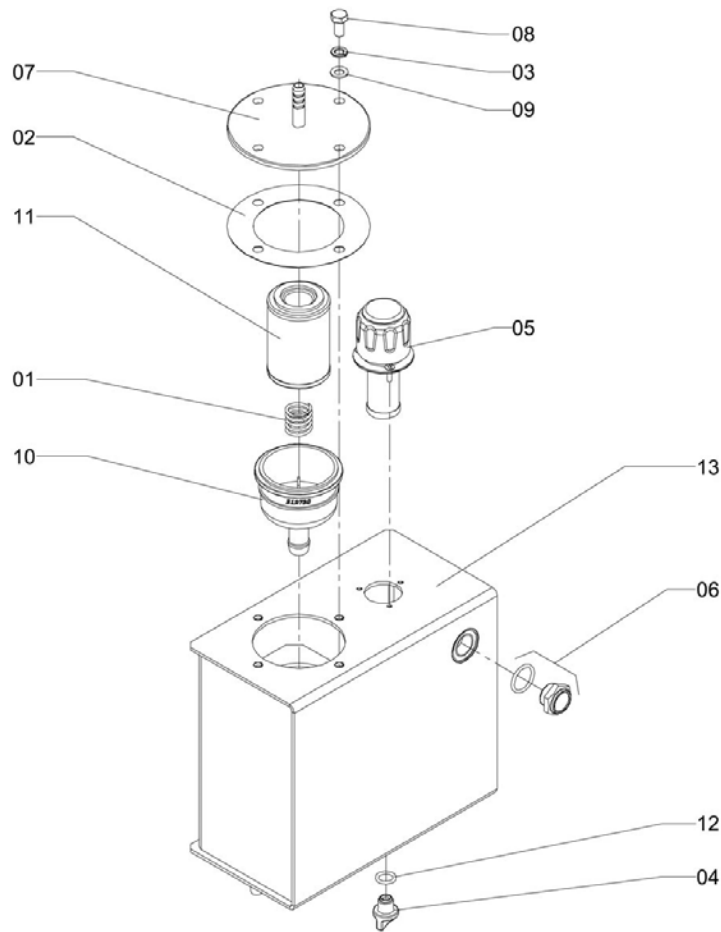


CH-638

| Item | CODE | DESCRIPTION | Qty. | Item | CODE | DESCRIPTION | Qty. |
|------|--------|---------------------------------|------|------|------|-------------|------|
| 00 | 999789 | Duct actuation circuit | 1 | | | | |
| 01 | 106955 | O-ring OR1-120 | 1 | | | | |
| 02 | 211466 | Pump intake connection | 1 | | | | |
| 03 | 519736 | Lock washer | 4 | | | | |
| 04 | 521641 | Pump support | 1 | | | | |
| 05 | 521658 | Screw M6 x 1 x 20 CL12.9 | 8 | | | | |
| 06 | 521666 | Lock washer 5 - stainless steel | 8 | | | | |
| 07 | 618363 | Pulley 91 - 1A | 1 | | | | |
| 08 | 912667 | Bolt 5/16" x 18 UNC x 7/8 | 4 | | | | |
| 09 | 110494 | O-ring OR1-116 | 1 | | | | |
| 10 | 013433 | Flat washer 4.8 x 16 x 1.6 inox | 4 | | | | |
| 11 | 211318 | Hydraulic pump | 1 | | | | |
| 12 | 211458 | Pump outlet connection | 1 | | | | |
| 13 | 823989 | Coupling end 37 BP-10 | 1 | | | | |

Controlled copy – Distribution and reproduction prohibited

HYDRAULIC OIL RESERVOIR (4 LITERS)

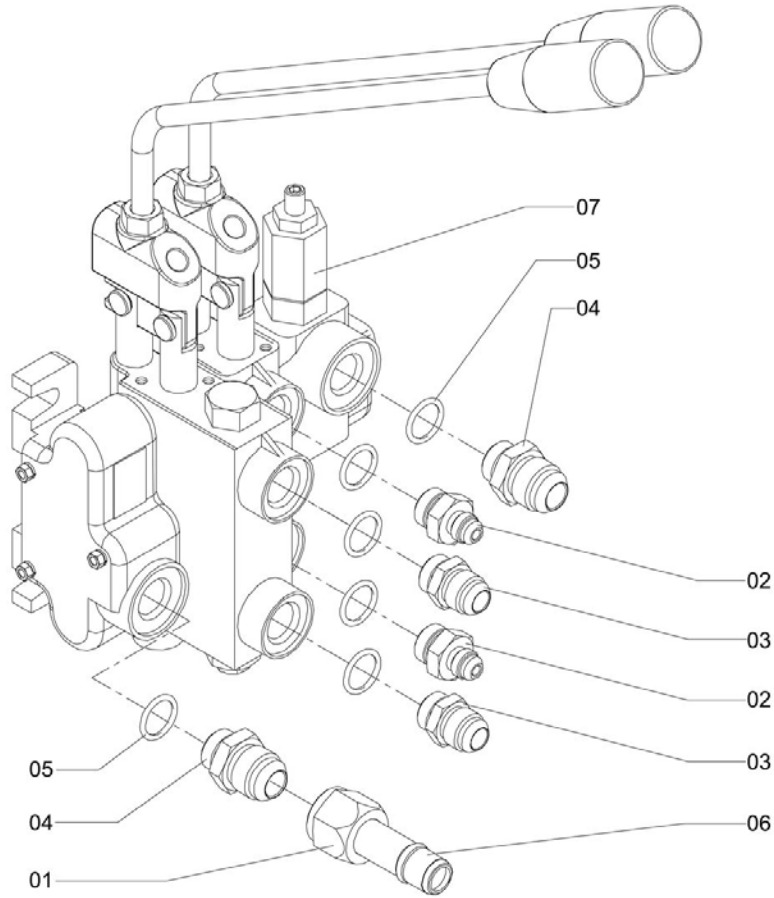


D-241

| Item | CODE | DESCRIPTION | Qty. | Item | CODE | DESCRIPTION | Qty. |
|------|--------|--------------------------------------|------|------|------|-------------|------|
| 00 | 518878 | Hydraulic oil reservoir (4 liters) | 1 | | | | |
| 01 | 212761 | Compression spring | 1 | | | | |
| 02 | 519710 | Packing ring 115 x 96 1.59 | 1 | | | | |
| 03 | 519736 | Lock washer | 4 | | | | |
| 04 | 520775 | Drain plug 1/4" BSP | 1 | | | | |
| 05 | 521047 | Air cleaner | 1 | | | | |
| 06 | 521351 | Oil sight 1/2" BSP with packing ring | 1 | | | | |
| 07 | 521518 | Filter cover | 1 | | | | |
| 08 | 637041 | Bolt 5/16" - 20 UNC x 5/8" | 4 | | | | |
| 09 | 903575 | Sealing washer 15 x 1.2 | 4 | | | | |
| 10 | 212779 | Return filter cap | 1 | | | | |
| 11 | 213710 | Return filter | 1 | | | | |
| 12 | 325290 | O-ring OR1-112 | 1 | | | | |
| 13 | 518886 | Hydraulic reservoir body | 1 | | | | |

Controlled copy – Distribution and reproduction prohibited

DIRECTIONAL CONTRL WITH NIPPLE

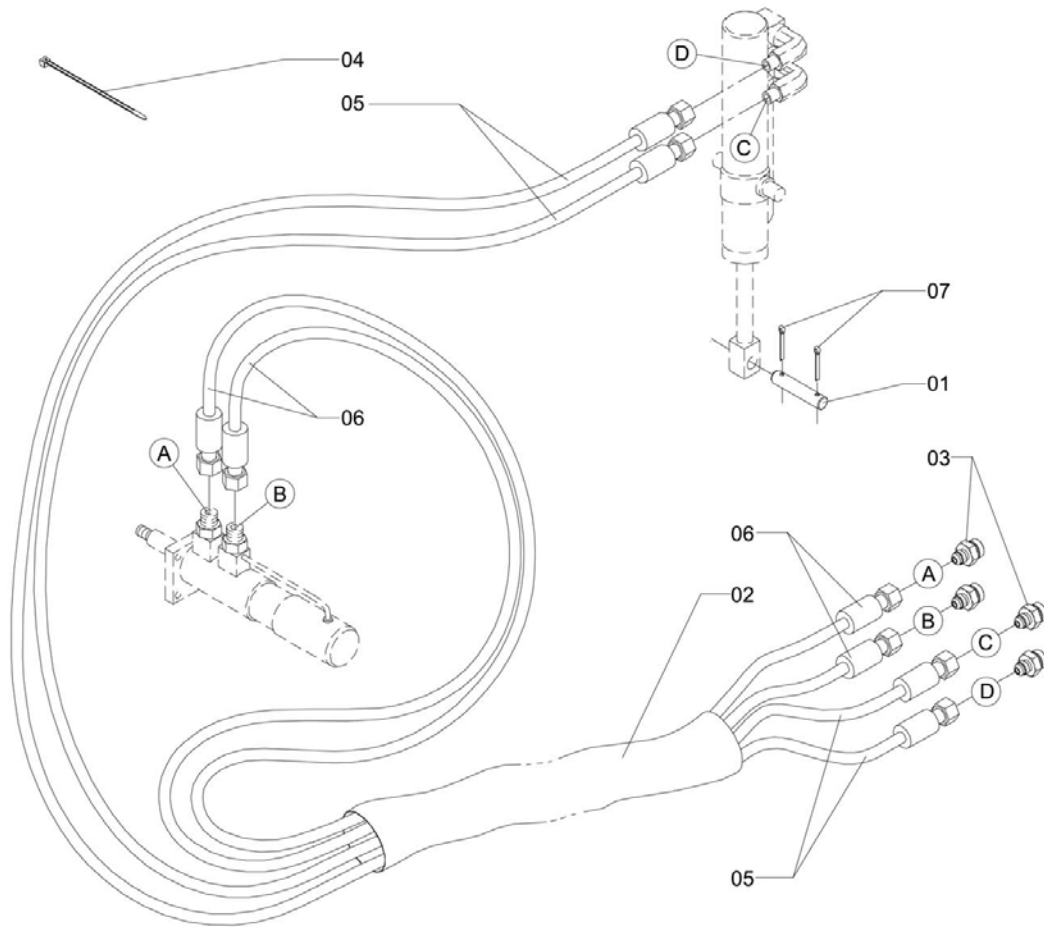


CH-639

| Item | CODE | DESCRIPTION | Qty. | Item | CODE | DESCRIPTION | Qty. |
|------|--------|---|------|------|------|-------------|------|
| 00 | 045954 | Directional contrl with nipple | 1 | | | | |
| 01 | 210237 | Hex. nut 9/16" - 18 UNF | 1 | | | | |
| 02 | 949495 | Dosage nipple 2 - 37 | 2 | | | | |
| 03 | 949503 | Nipple 1/2" UNF x 3/4" UNF (37-008-0) | 2 | | | | |
| 04 | 210567 | Dosage nipple 6.00 - 9/16" UNF x 3/4" UNF | 2 | | | | |
| 05 | 210823 | O-ring OR2-008 | 6 | | | | |
| 06 | 519835 | Elbow fitting 37 - BP 6 | 1 | | | | |
| 07 | 732156 | Directional control | 1 | | | | |

Controlled copy – Distribution and reproduction prohibited

DUCT ACTUATION CIRCUIT (CHT)

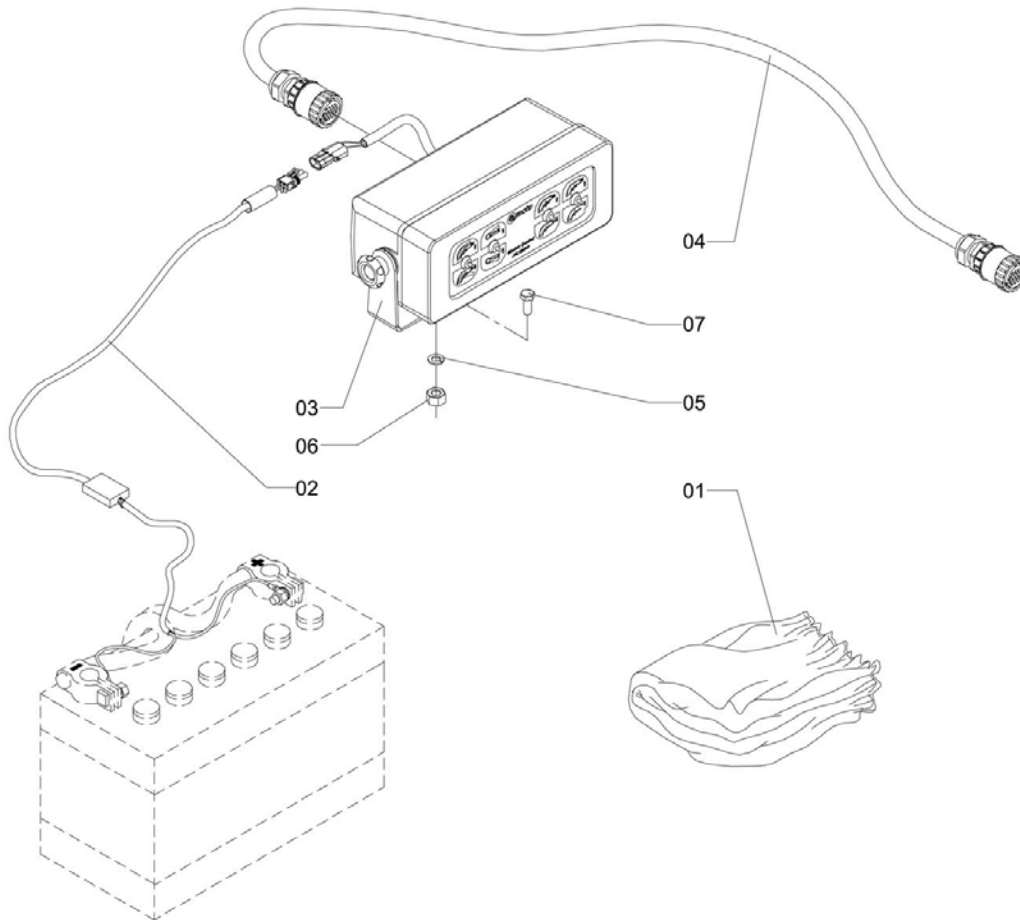


CH-635

| Item | CODE | DESCRIPTION | Qty. | Item | CODE | DESCRIPTION | Qty. |
|------|--------|------------------------------|------|------|------|-------------|------|
| 00 | 339275 | Duct actuation circuit (CHT) | 1 | | | | |
| 01 | 520015 | Joint pin | 1 | | | | |
| 02 | 520379 | Protective hose 4" x 1050 | 1 | | | | |
| 03 | 228940 | Dosage nipple 4.00 - 37 | 4 | | | | |
| 04 | 323584 | Hose tie | 2 | | | | |
| 05 | 339283 | Hose MHMP-04-1/4" X 4100 | 2 | | | | |
| 06 | 339291 | Pressure hose 1/4" x 3000 | 2 | | | | |
| 07 | 808451 | Cotter pin 2.38 x 19.05 | 2 | | | | |

Controlled copy – Distribution and reproduction prohibited

ACCESORIES BOX (JS-600 EL)

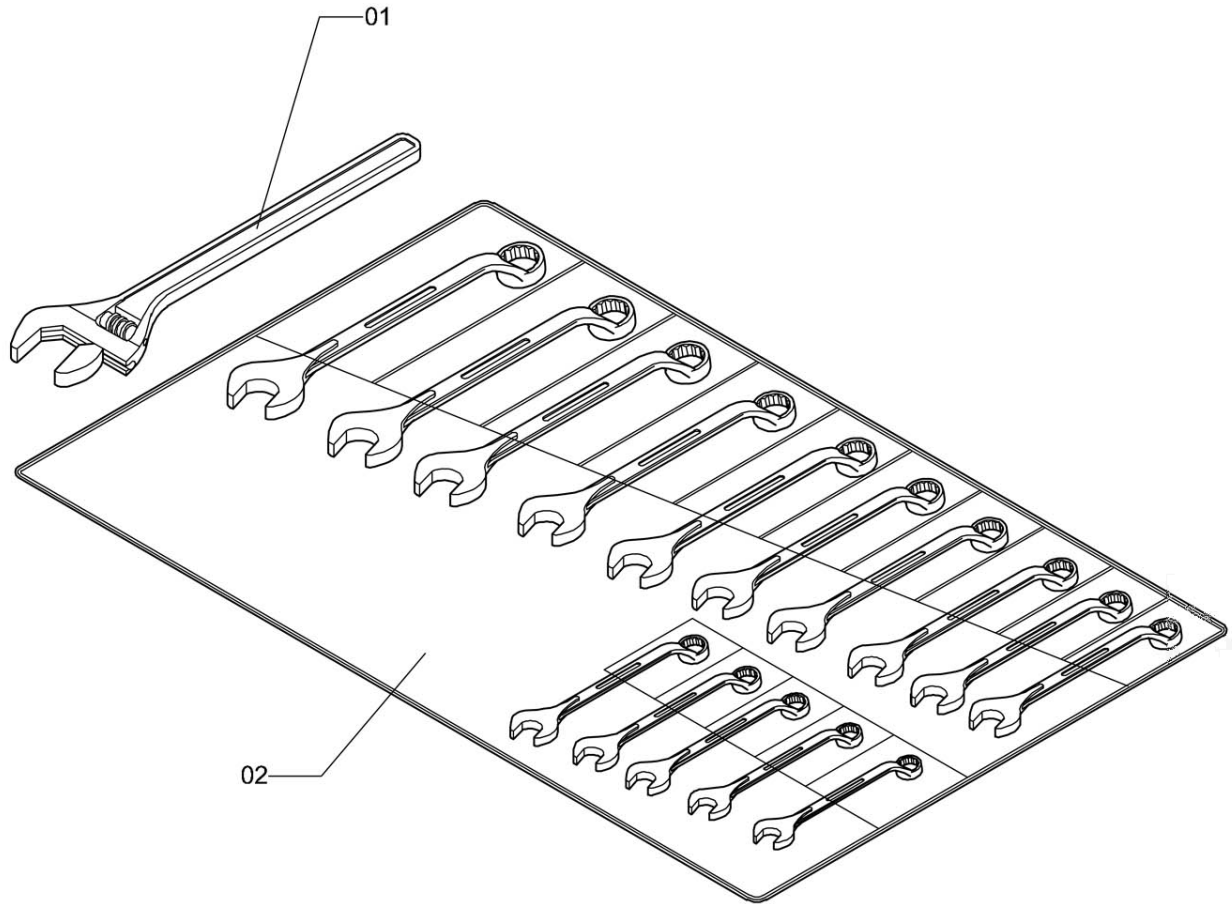


CXA-494

| Item | CODE | DESCRIPTION | Qty. | Item | CODE | DESCRIPTION | Qty. |
|------|--------|---------------------------------------|------|------|------|-------------|------|
| 00 | 287367 | Accesories box (JS-600 EL) | 1 | | | | |
| 01 | 065177 | Computer protective cap | 1 | | | | |
| 02 | 982248 | Feed cable | 1 | | | | |
| 03 | 278515 | JEC-2500 computer | 1 | | | | |
| 04 | 287375 | Panel connection cable | 1 | | | | |
| 05 | 519736 | Lock washer | 2 | | | | |
| 06 | 810770 | Hex. nut M-8 x 1.25 | 2 | | | | |
| 07 | 829374 | Hex. head bolt M8 x 20 x 1.25 -cl 8.8 | 2 | | | | |

Controlled copy – Distribution and reproduction prohibited

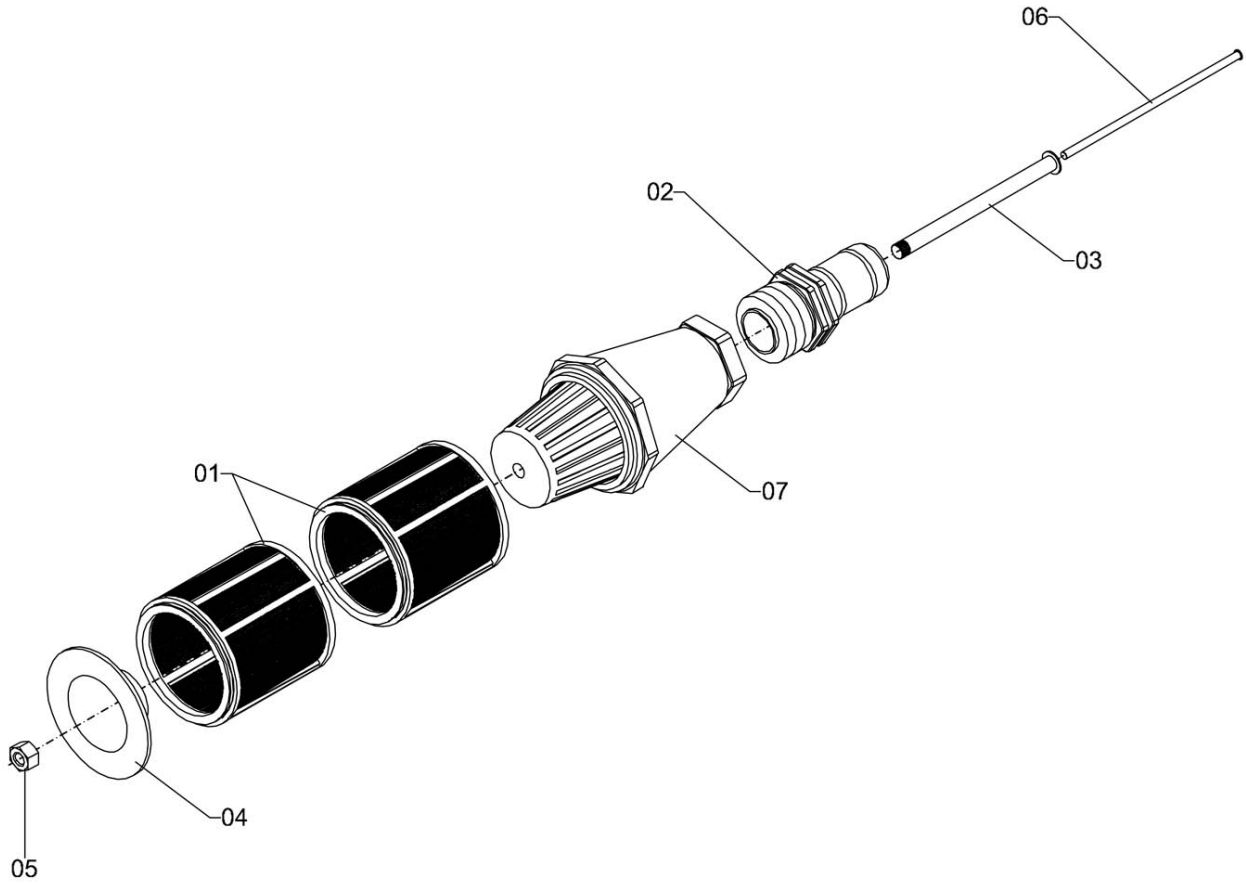
ASSEMBLY - COMBINATION WRENCH + SCREW WRENCH (FOR EXPORT)



CXA-140

| Item | CODE | DESCRIPTION | Qty. | Item | CODE | DESCRIPTION | Qty. |
|------|--------|---|------|------|------|-------------|------|
| 00 | 489211 | Assembly - combination wrench + screw wrench (for export) | 1 | | | | |
| 01 | 489260 | Screw wrench 18" (for export) | 1 | | | | |
| 02 | 489229 | Combined wrench kit "ROBUST" (for export) | 1 | | | | |

FILTERING VALVE ASSEMBLY

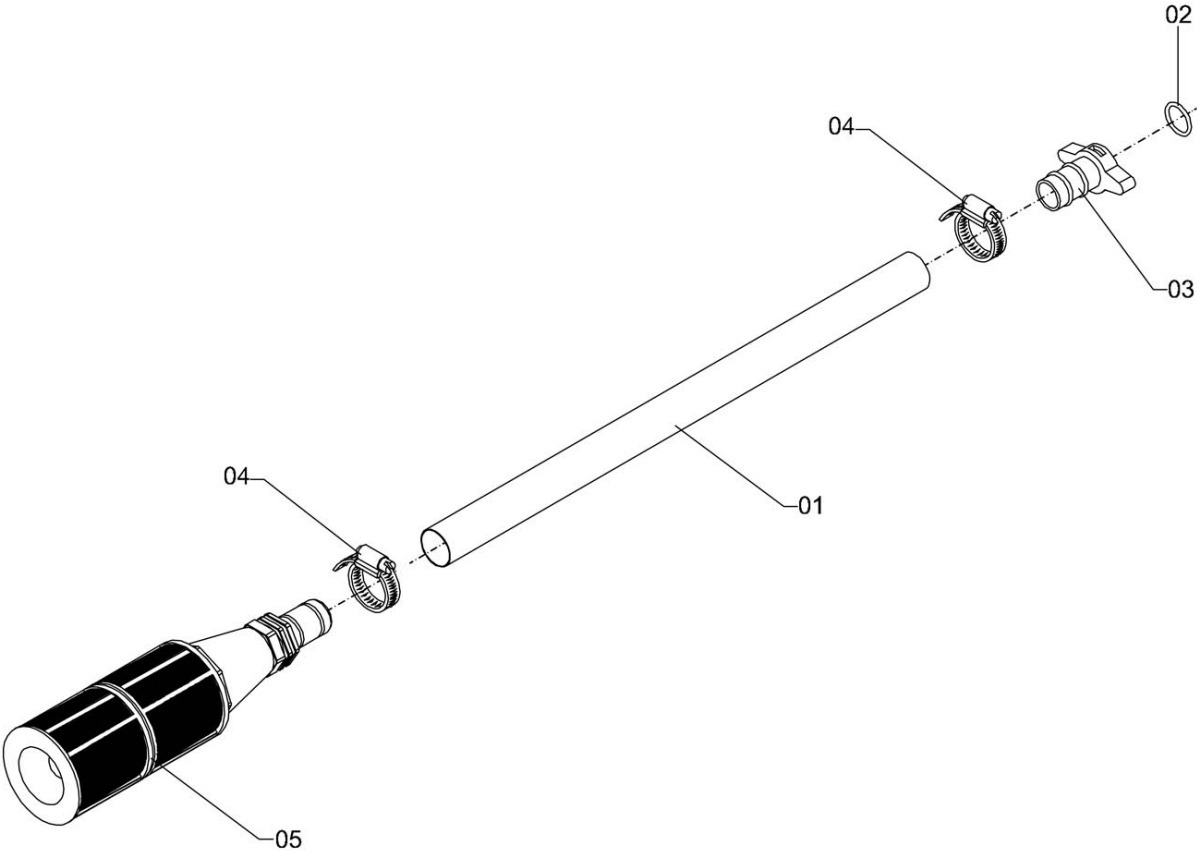


ELP-365

| Item | CODE | DESCRIPTION | Qty. | Item | CODE | DESCRIPTION | Qty. |
|------|--------|--------------------------|------|------|------|-------------|------|
| 00 | 323873 | Filtering valve assembly | 1 | | | | |
| 01 | 012476 | Filtering element | 2 | | | | |
| 02 | 404459 | Hose fitting 1" x 1" BSP | 1 | | | | |
| 03 | 537332 | Element stud bolt | 1 | | | | |
| 04 | 537340 | Cover - filling hose | 1 | | | | |
| 05 | 537357 | Hex. nut 7/32" BSW | 1 | | | | |
| 06 | 537365 | Pin 120 | 1 | | | | |
| 07 | 909986 | Foot valve | 1 | | | | |

Controlled copy – Distribution and reproduction prohibited

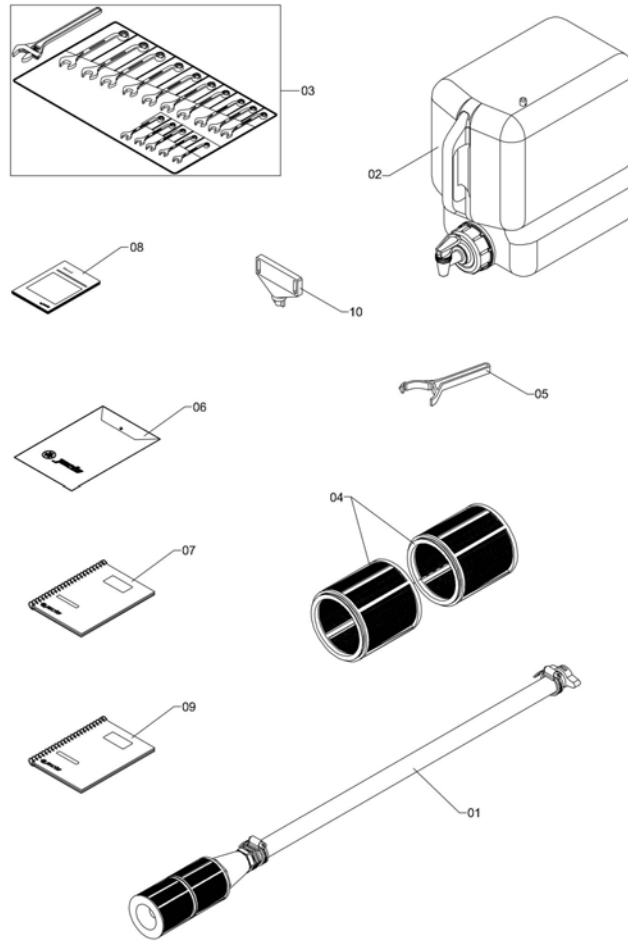
FILLING HOSE



A-14

| Item | CODE | DESCRIPTION | Qty. | Item | CODE | DESCRIPTION | Qty. |
|------|--------|--------------------------------|------|------|------|-------------|------|
| 00 | 216226 | Filling hose | 1 | | | | |
| 01 | 813253 | Hose 25.4 (1") x 5000 | 1 | | | | |
| 02 | 206185 | Packing ring 32.8 x 6.00 | 1 | | | | |
| 03 | 206193 | Extension 1" | 1 | | | | |
| 04 | 330969 | Clamp D25-38 - stainless steel | 2 | | | | |
| 05 | 323873 | Filtering valve assembly | 1 | | | | |

ACCESSORIES BOX

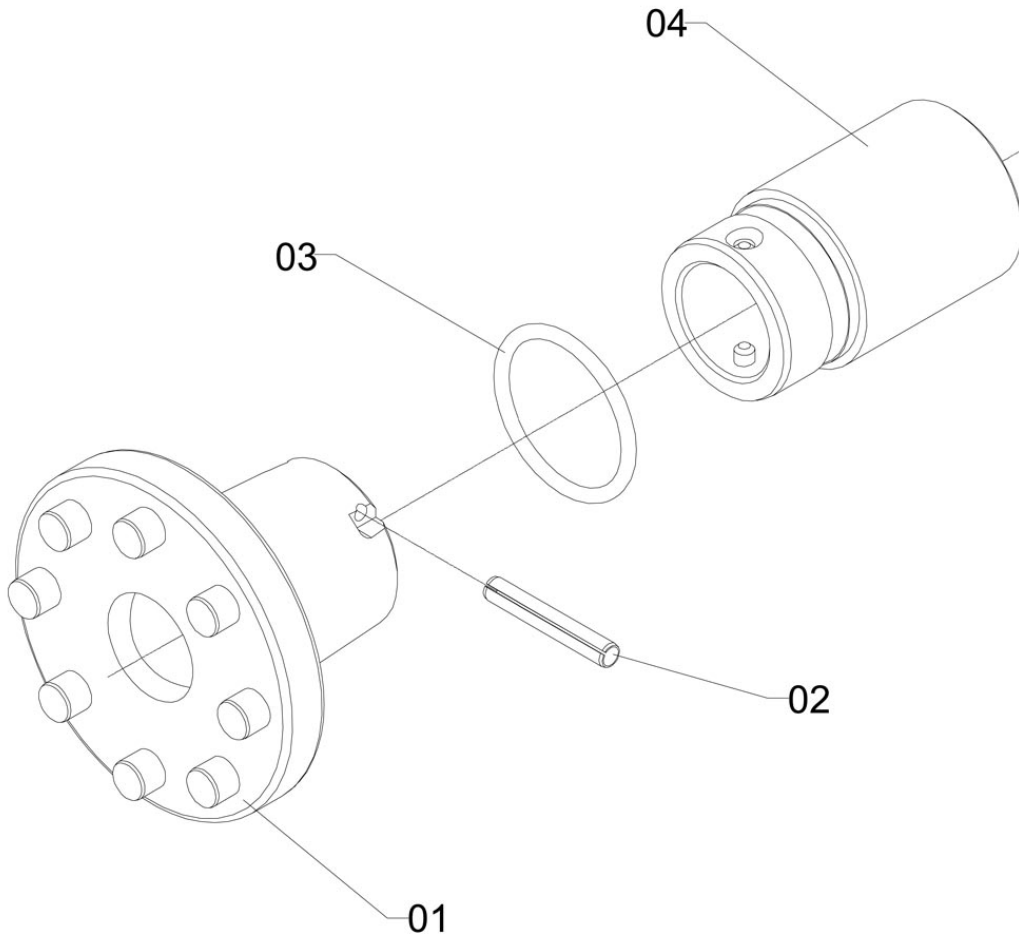


CXA-493

| Item | CODE | DESCRIPTION | Qty. | Item | CODE | DESCRIPTION | Qty. |
|------|---------|---|------|------|------|-------------|------|
| 00 | 079474 | Accessories box | 1 | | | | |
| 01 | 216226 | Filling hose | 1 | | | | |
| 02 | 299768 | 15-liter tank assembly | 1 | | | | |
| 03 | 489211 | Assembly - combination wrench + screw wrench (for export) | 1 | | | | |
| 04 | 613604 | Double filtering element | 1 | | | | |
| 05 | 703694 | Key 40-45 | 1 | | | | |
| 06 | 867127 | Plastic folder | 1 | | | | |
| 07 | 127134 | Operator's manual "Jacto Super 600" | 1 | | | | |
| 07A | 752923 | Operator's manual "JS-600 Spanish" | 1 | | | | |
| 07B | 767533 | Operator's manual (JS-600 - english) | 1 | | | | |
| 07C | 513168 | Operator's manual - J600 USA | 1 | | | | |
| 08 | 136929 | Instructions manual - Container rinse nozzle | 1 | | | | |
| 08A | 140202 | Operator's manual - Chemical container rinse nozzle - Spanish | 1 | | | | |
| 08B | 158576 | Operator's manual-Chemical container rinse nozzle | 1 | | | | |
| 08C | 907212 | Operator's manual (Chemical container rinse nozzle - USA) | 1 | | | | |
| 09 | 853093 | Operator's manual - nozzles | 1 | | | | |
| 09A | 864199 | Operator's manual (Nozzles guideline - Spanish) | 1 | | | | |
| 09B | 697912 | Jacto nozzles guide (English) | 1 | | | | |
| 09C | 938381 | Nozzle guide MI "USA" | 1 | | | | |
| 10 | 1177696 | Universal key | 1 | | | | |

Controlled copy – Distribution and reproduction prohibited

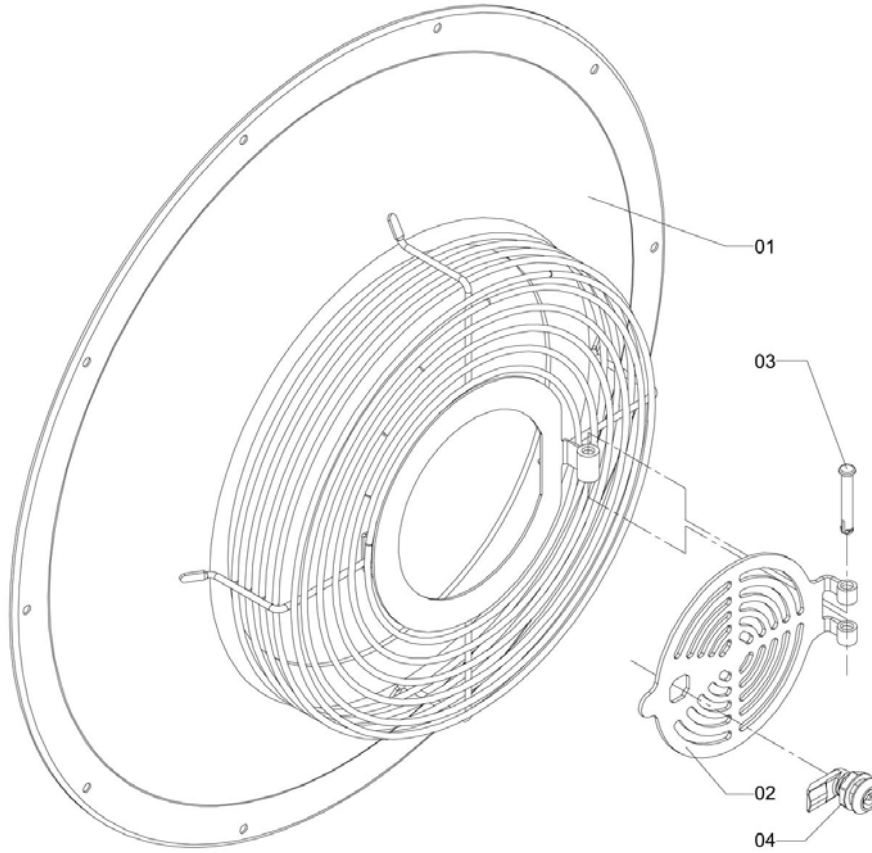
GROOVED HUB WITH HITCH



TMV-52

| Item | CODE | DESCRIPTION | Qty. | Item | CODE | DESCRIPTION | Qty. |
|------|--------|------------------------|------|------|------|-------------|------|
| 00 | 177055 | Grooved hub with hitch | 1 | | | | |
| 01 | 018713 | Grooved hub with pins | 1 | | | | |
| 02 | 427567 | Flexible pin 5 x 32 | 1 | | | | |
| 03 | 011643 | O-ring ORI-129 | 1 | | | | |
| 04 | 201103 | Coupling hub | 1 | | | | |

FAN HOUSING COVER

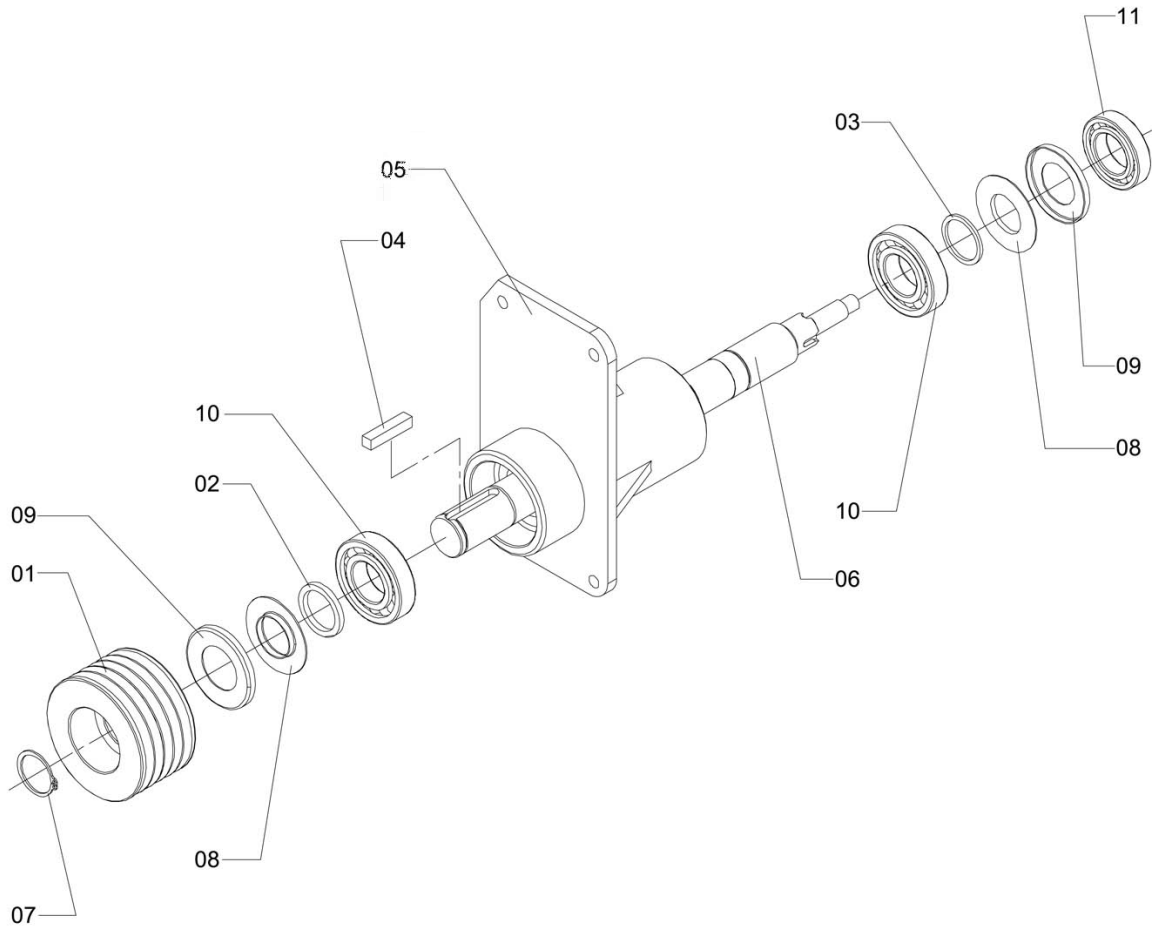


V-41

| Item | CODE | DESCRIPTION | Qty. | Item | CODE | DESCRIPTION | Qty. |
|------|---------|--------------------------------|------|------|------|-------------|------|
| 00 | 434084 | Fan housing cover | 1 | | | | |
| 01 | 018457 | Fan housing cover | 1 | | | | |
| 02 | 1165899 | Grid unlck | 1 | | | | |
| 03 | 847912 | Chemical mixer articulator pin | 1 | | | | |
| 04 | 1169820 | Plastic stop latch key | 1 | | | | |

Controlled copy – Distribution and reproduction prohibited

FAN BEARING ASSEMBLY - J600

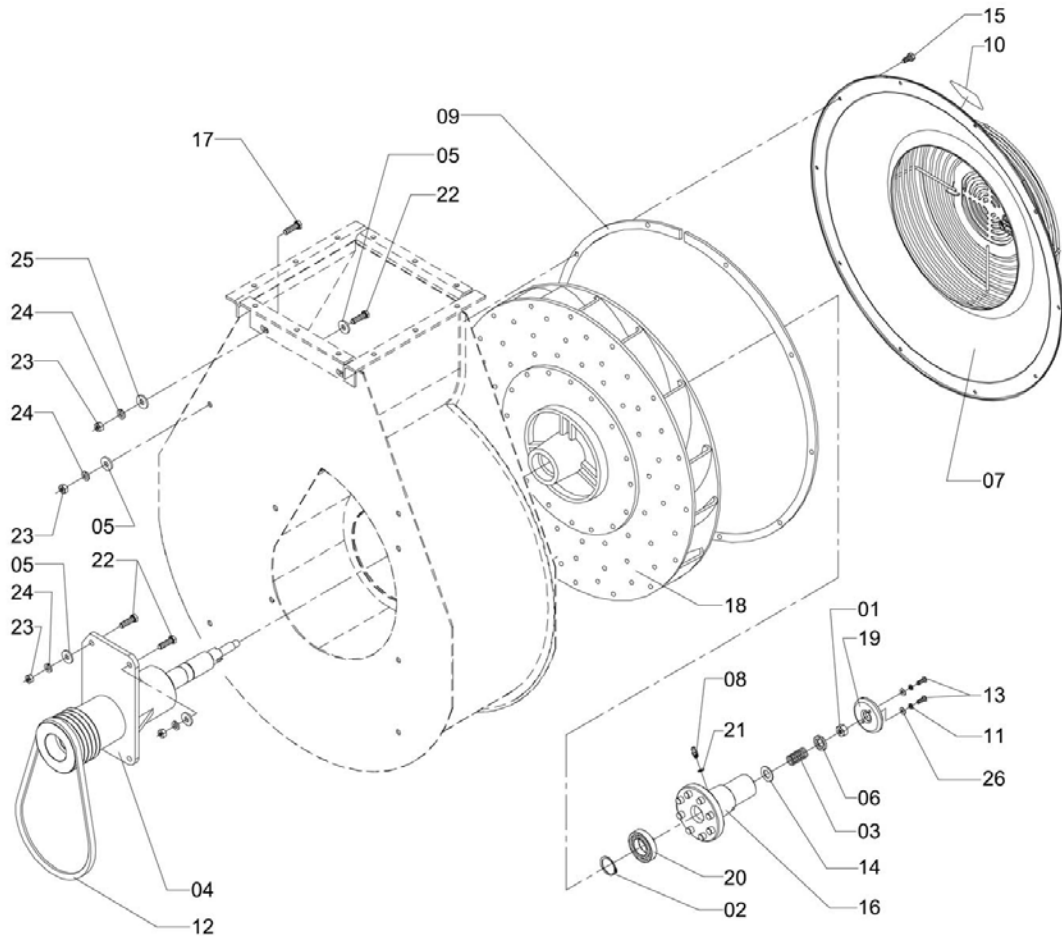


TMV-94

| Item | CODE | DESCRIPTION | Qty. | Item | CODE | DESCRIPTION | Qty. |
|------|--------|-------------------------------|------|------|------|-------------|------|
| 00 | 164889 | Fan bearing assembly - J600 | 1 | | | | |
| 01 | 517466 | Pulley 121-5A | 1 | | | | |
| 02 | 518118 | Spacer ring | 1 | | | | |
| 03 | 518126 | Spacer ring 42.2 x 2.7 | 1 | | | | |
| 04 | 519793 | Square key - 9.53 (3/8") x 45 | 1 | | | | |
| 05 | 820324 | Pillow block body | 1 | | | | |
| 06 | 984187 | Shaft 446 | 1 | | | | |
| 07 | 203067 | Snap ring for shaft 35 | 1 | | | | |
| 08 | 328039 | Internal protection | 2 | | | | |
| 09 | 328047 | External protection | 2 | | | | |
| 10 | 328062 | Bearing no. 6207 SKF | 2 | | | | |
| 11 | 202549 | Fixed bearing | 1 | | | | |

Controlled copy – Distribution and reproduction prohibited

FAN

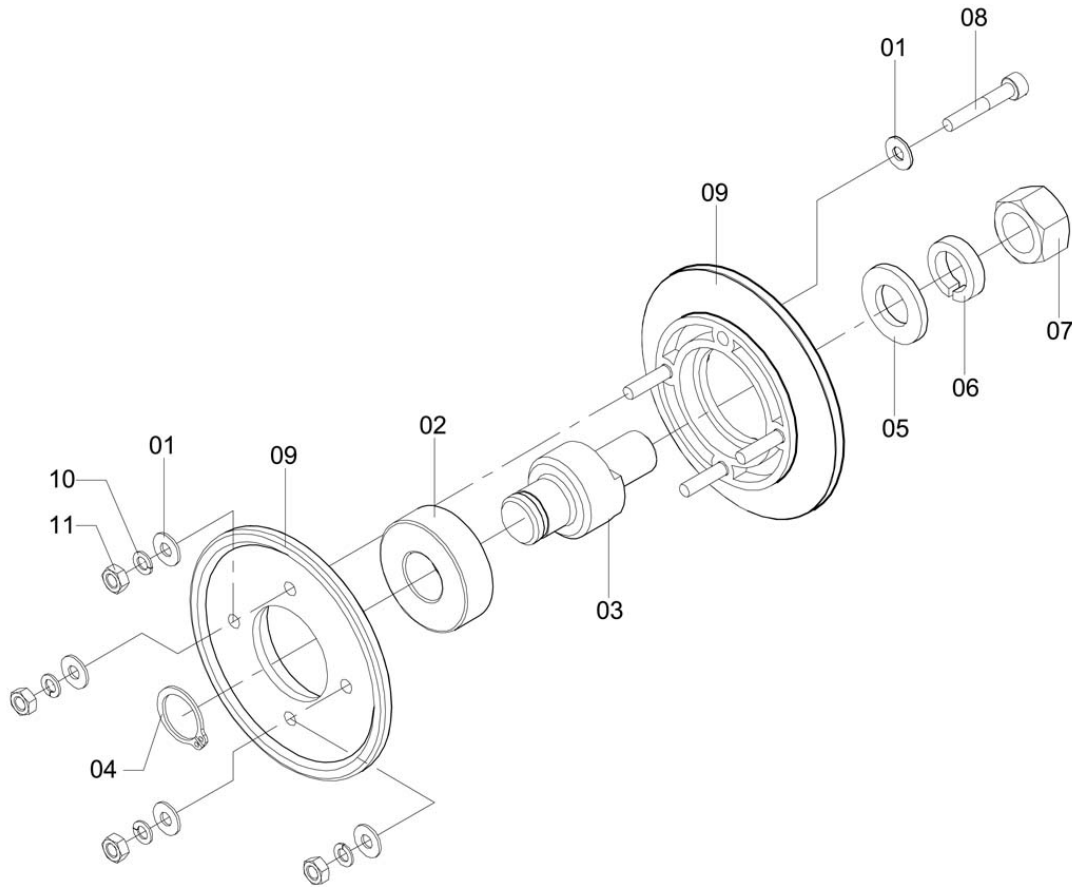


V-44

| Item | CODE | DESCRIPTION | Qty. | Item | CODE | DESCRIPTION | Qty. |
|------|--------|---|------|------|------|-------------|------|
| 00 | 518340 | Fan | 1 | | | | |
| 01 | 108787 | Nut DODI-LOC 1/2" - 13 UNC | 1 | | | | |
| 02 | 203067 | Snap ring for shaft 35 | 1 | | | | |
| 03 | 204537 | Compression spring | 1 | | | | |
| 04 | 164889 | Fan bearing assembly - J600 | 1 | | | | |
| 05 | 416735 | Flat washer 100 x 260 x 30 | 16 | | | | |
| 06 | 425892 | Spring seat ring | 1 | | | | |
| 07 | 434084 | Fan housing cover | 1 | | | | |
| 08 | 918748 | Grease nipple M6 x 1 - 45 | 1 | | | | |
| 09 | 518100 | Packing 15 x 2000 x 8.00 | 1 | | | | |
| 10 | 446500 | Sticker: "Fan lock instructions" | 1 | | | | |
| 11 | 520676 | Lock washer 5 | 2 | | | | |
| 12 | 520940 | Trapeze belt A-58 | 5 | | | | |
| 13 | 007179 | Screw 3/16" UNC x 5/8" | 2 | | | | |
| 14 | 881243 | Flat washer 17 x 30 x 1,9 - stainless steel | 1 | | | | |
| 15 | 910745 | Self-locking screw 1/4" x 3/4" | 10 | | | | |
| 16 | 177055 | Grooved hub with hitch | 1 | | | | |
| 17 | 936146 | Bolt M10 x 1.25 x 35 CL 8.8 | 4 | | | | |
| 18 | 989129 | Fan rotor | 1 | | | | |
| 19 | 201087 | Disc 70 | 1 | | | | |
| 20 | 202549 | Fixed bearing | 1 | | | | |
| 21 | 731083 | Ring 6.45 x 7.94 x 2 | 1 | | | | |
| 22 | 757559 | Hex. bolt M10 x 30 x 1.25 | 16 | | | | |
| 23 | 907030 | Hex. nut M10 x 1.25 | 16 | | | | |
| 24 | 209395 | Lock washer M10 | 16 | | | | |
| 25 | 623884 | Flat washer 10,5 x 21 x 2 - stainless steel | 4 | | | | |
| 26 | 979237 | Flat washer 5,30 x 10,0 x 1,0 | 2 | | | | |

Controlled copy – Distribution and reproduction prohibited

TIGHTENING PULLEY ASSEMBLY 78-1A (SHAFT 15 X 50,5)

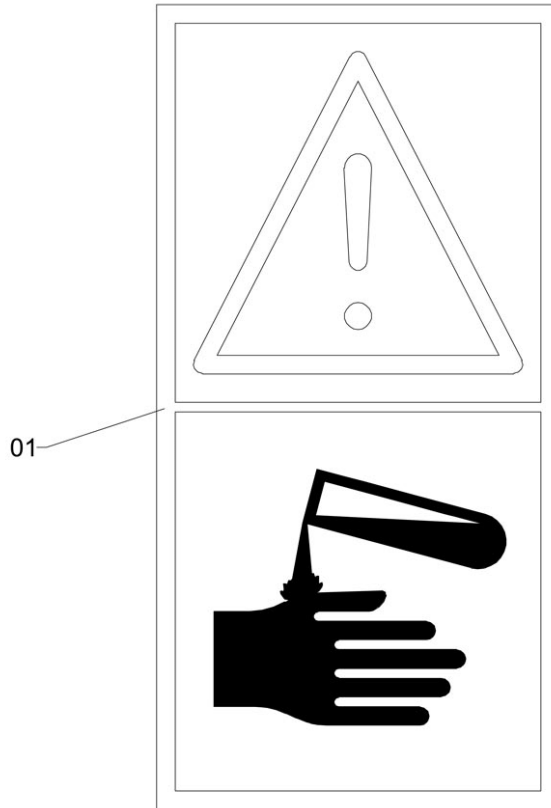


LE-14

| Item | CODE | DESCRIPTION | Qty. | Item | CODE | DESCRIPTION | Qty. |
|------|---------|--|------|------|------|-------------|------|
| 00 | 645416 | Tightening pulley assembly 78-1A (Shaft 15 x 50,5) | 1 | | | | |
| 01 | 508515 | Flat washer 4,3 x 10,2 x 0,8 - stainless steel | 8 | | | | |
| 02 | 328781 | Fixed bearing | 1 | | | | |
| 03 | 817627 | Tightening pulley shaft 15 x 50.5 | 1 | | | | |
| 04 | 910851 | Snap ring for shaft 15 | 1 | | | | |
| 05 | 818112 | Flat washer 130 x 240 x 30 | 1 | | | | |
| 06 | 908582 | Lock washer 1/2" | 1 | | | | |
| 07 | 912790 | Hex. nut 1/2" - 13 UNC | 1 | | | | |
| 08 | 1148396 | Screw M4 X 0.7 MM 25 Comp | 4 | | | | |
| 09 | 644641 | Pulley disk 78 - 1A | 2 | | | | |
| 10 | 520700 | Lock washer 4.3 x 7.1 x 1 | 4 | | | | |
| 11 | 551523 | Hex. nut M-4 x 0.7 stainless steel | 4 | | | | |

Controlled copy – Distribution and reproduction prohibited

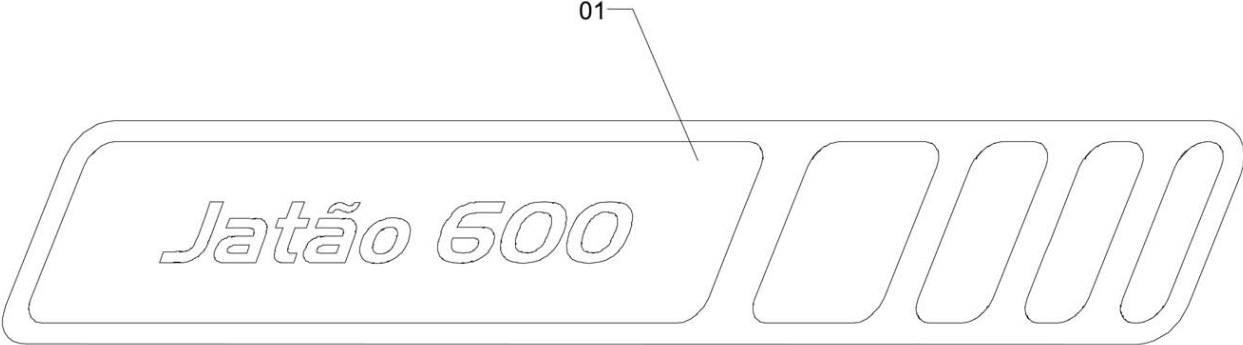
STICKER (HAZARDOUS SUBSTANCES)



ADS-201

| Item | CODE | DESCRIPTION | Qty. | Item | CODE | DESCRIPTION | Qty. |
|------|---------|--------------------------------|------|------|------|-------------|------|
| 00 | 1163706 | Sticker (Hazardous substances) | 1 | | | | |
| 01 | 1163706 | Sticker "Hazardous Substances" | 1 | | | | |

STICKERS: (J600-LEFT)

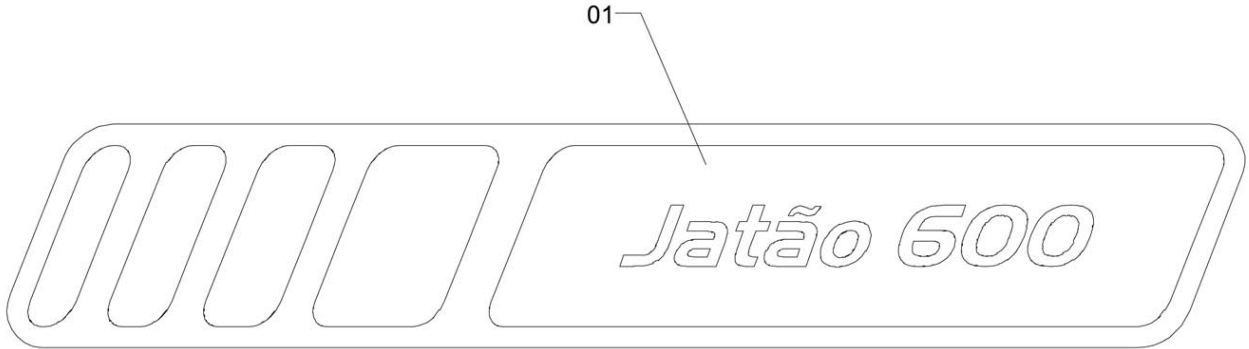


ADS-232

| Item | CODE | DESCRIPTION | Qty. |
|------|---------|-----------------------|------|
| 00 | 1180103 | Stickers: (J600-left) | 1 |
| 01 | 1180103 | Stickers: (J600-left) | 1 |

| Item | CODE | DESCRIPTION | Qty. |
|------|------|-------------|------|
| | | | |

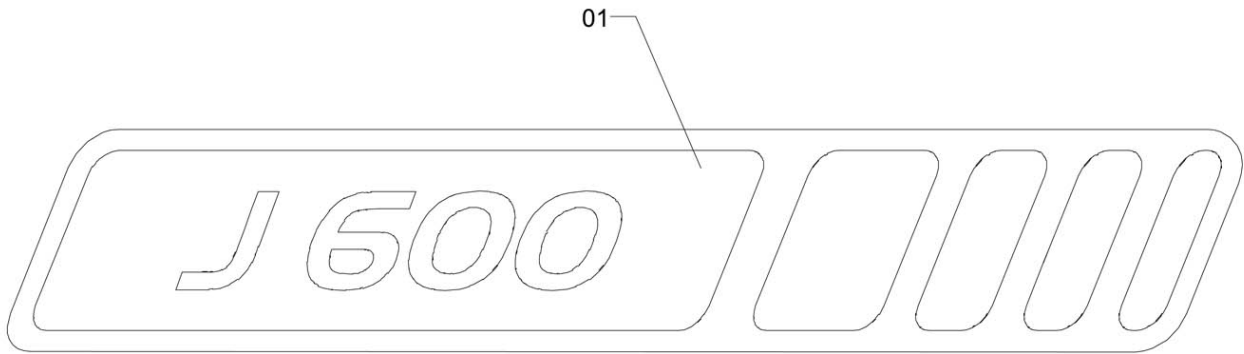
STICKERS: (J600-RIGHT)



ADS-231

| Item | CODE | DESCRIPTION | Qty. | Item | CODE | DESCRIPTION | Qty. |
|------|---------|------------------------|------|------|------|-------------|------|
| 00 | 1180104 | Stickers: (J600-right) | 1 | | | | |
| 01 | 1180104 | Stickers: (J600-right) | 1 | | | | |

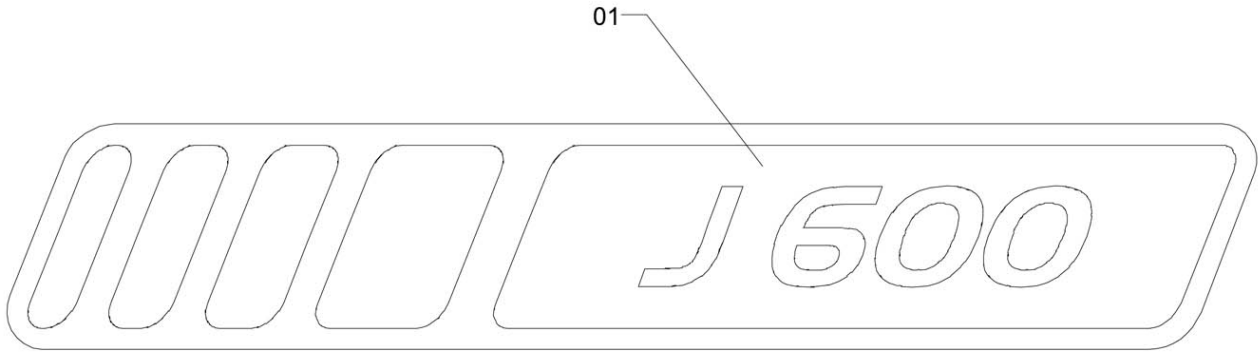
STICKERS: (J600 - LEFT)



ADS-230

| Item | CODE | DESCRIPTION | Qty. | Item | CODE | DESCRIPTION | Qty. |
|------|---------|-------------------------|------|------|------|-------------|------|
| 00 | 1180105 | Stickers: (J600 - left) | 1 | | | | |
| 01 | 1180105 | Stickers: (J600 - left) | 1 | | | | |

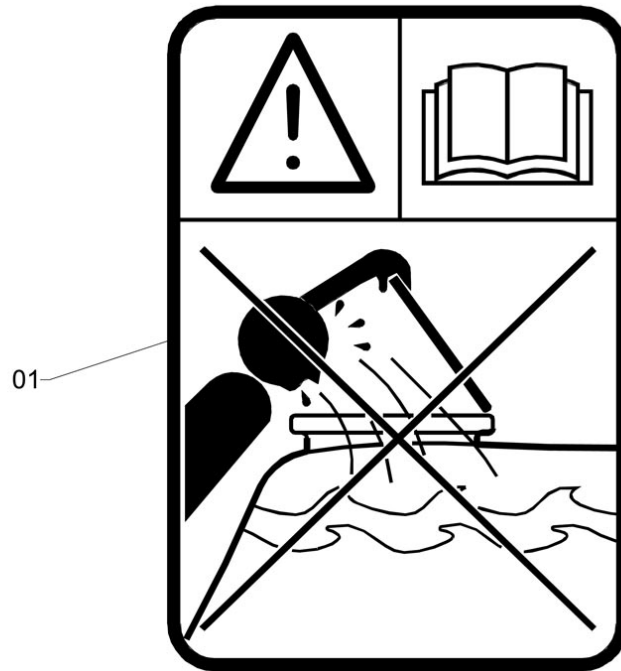
STICKER: (J600- RIGHT)



ADS-229

| Item | CODE | DESCRIPTION | Qty. | Item | CODE | DESCRIPTION | Qty. |
|------|---------|------------------------|------|------|------|-------------|------|
| 00 | 1180106 | Sticker: (J600- right) | 1 | | | | |
| 01 | 1180106 | Sticker: (J600- right) | 1 | | | | |

STICKER (BE CAREFUL WHEN OPENING THE TANK LID)



ADS-200

| Item | CODE | DESCRIPTION | Qty. | Item | CODE | DESCRIPTION | Qty. |
|------|--------|--|------|------|------|-------------|------|
| 00 | 379172 | Sticker (Be careful when opening the tank lid) | 1 | | | | |
| 01 | 379172 | Decal "Attention: Be careful when opening the lid of the main tank." | 1 | | | | |